



BALDWIN®

*QUICK
SHIP*



ESTATE QUICK SHIP
PRICEBOOK OCTOBER 2024



TABLE OF CONTENTS

Pre-Configured Knobs.....	8-13
Pre-Configured Levers.....	14-21
Keyed Entry Knobs.....	22-23
Keyed Entry Levers.....	24
Deadbolts.....	25-26
Touchscreen.....	27-28
Tubular Handlesets.....	29-35
Mortise Handleset Trims.....	36-40
Mortise Locks.....	41-42
Pocket Doors Locks and Trim.....	43
Hinges.....	44-45
General Hardware.....	46-52
Cabinet Hardware.....	53-65
Miscellaneous Parts.....	66-67

finishes

Baldwin Hardware is proud to offer a diverse selection of premium finishes, including PVD, Living, and Lacquered options. With the lasting durability of PVD, the timeless elegance of Living, and the charm of Lacquered finishes, every customer can find the perfect aesthetic touch without compromising on quality. Discover the beauty of Baldwin and its diverse finish options.

LIFETIME PVD FINISHES



003
Lifetime (PVD)
Polished Brass

044
Lifetime (PVD)
Satin Brass

055
Lifetime (PVD)
Polished Nickel

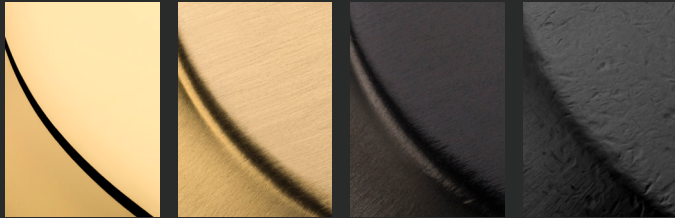
056
Lifetime (PVD)
Satin Nickel

076
Lifetime (PVD)
Graphite Nickel

PVD FINISH

PVD finishes are designed to last a lifetime and withstand the wear and tear of various outdoor conditions. Our newest PVD Finish Graphite Nickel, is award winning NYCxDESIGN Awards honoree, DPHA Product of the Year, and the Hardware Good Design Award.

LIVING FINISHES



031
Non-lacquered
Brass

033
Vintage Brass

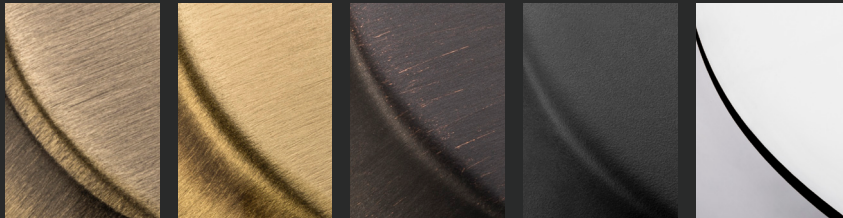
102
Oil Rubbed Bronze

402
Distressed Oil
Rubbed Bronze

LIVING FINISH

Our Living finishes are designed to evolve over time, adding character to your hardware. Please note that these finishes are not covered by our finish warranty, as their natural transformation is an integral part of their charm.

NON-LIVING FINISHES



050
Satin Brass & Black

060
Satin Brass & Brown

112
Venetian Bronze

190
Satin Black

260
Polished Chrome

HAND-RELIEVED FINISH VARIANCES

Our Non-Living / Lacquered product finishes exhibit variations in luster, hue, and appearance due to the artisanal intricacies involved in the final finishing stages.

BALDWIN #	US #	BHMA #
003 =	3	-
044 =	4	606
050 =	5	609
056 =	15	-
102 =	10B	613
190 =	19	622
260 =	26	625

SELECT FINISHES

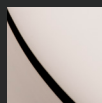
Only available in select Estate Collections



030
Polished
Brass



150
Satin
Nickel



140
Polished
Nickel

ESTATE™



CRAFTED EXCELLENCE DELIVERED IN DAYS

Experience unparalleled craftsmanship with Baldwin's Quick Ship Program, offering a comprehensive selection of exquisite hardware delivered quickly. Discover how our streamlined process and top-selling styles can meet your urgent project needs.

- Every item in this price book ships within 5 business days of receiving your order
- Over 5200 exquisite, in-stock items
- Entire Cabinet Hardware Collection with rapid delivery
- Portfolio Spanning Multiple Categories: Interior Hardware, Deadbolts, Handlesets, Hinges, General Hardware
- Pre-configured sets are packaged with all components and trim needed for a seamless hardware installation delivered to you in one box
- Baldwin Estate's top-selling and trending styles in best-selling finish combinations brought to you with efficiency
- Hardware needs that are both tailored and dependable for urgent project timelines, with a 100% fulfillment speed rate since February 2024
- The quality craftsmanship and timeless designs from Baldwin, now without the wait.

For additional details about these products, including weight and dimensions, please refer to the website. If you are looking for specific styles in any of our other 14 Estate finishes or seeking unique à la carte options, please visit BaldwinHardware.com.



- Available in Passage, Privacy, Full Dummy & Half Dummy Functions
- Passage and Privacy sets shipped after 2/1/2025 include a 2 3/8" and 2 3/4" adjustable backset latch, full lip strike, t-strike, universal dust box, and pre-bore adaptor. Legacy Passage and Privacy functions include a 2 3/8" backset latch and a full lip strike.
- Compatible with 1 3/8" and 1 3/4" thick doors

5000 Baltimore (2") Knob w/ 5048 Rose



5083 Baltimore (2 1/2") Knob w/5048 Rose



5011 Knob w/ 5058 Rose



5013 Edinburgh Knob w/ 5021 Rose



5015 Classic Knob w/ 5048 Rose



5020 Colonial Knob w/ 5048 Rose



5023 Knob w/ R016 Rose



5024 Knob w/ R030 Rose



5025 Egg Knob w/ 5048 Rose



5030 Knob w/ 5048 Rose



5041 Knob w/ 5046 Rose



5055 Minneapolis Knob (2 1/8") w/ 5046 Rose



5079 Minneapolis Knob (2 3/8") w/ 5046 Rose



5057 Knob w/ 5048 Rose



5064 Knob w/ 5004 Rose



5066 Knob w/ 5078 Rose



5087 Nashville Knob (2") w/ 5070 Rose



5068 Nashville Knob (2 3/8") w/ 5070 Rose



5088 Nashville (2 5/8") with 5070 Rose



5069 Knob w/ 5076 Rose



5073 Knob w/ 5046 Rose



5077 Bethpage Knob w/ R027 Rose



5080 Fillmore Knob w/ 5048 Rose



K007 Hollywood Hills Knob w/ R050 Rose



K008 Hollywood Hills Knob w/ R050 Rose



K009 Hollywood Hills Knob w/ R050 Rose



K012 Knob w/ 5078 Rose



- Available in Passage, Privacy, Full Dummy & Half Dummy Functions
- Passage and Privacy sets shipped after 2/1/2025 include a 2 3/8" and 2 3/4" adjustable backset latch, full lip strike, t-strike, universal dust box, and pre-bore adaptor. Legacy Passage and Privacy functions include a 2 3/8" backset latch and a full lip strike.
- Compatible with 1 3/8" and 1 3/4" thick doors

5103 Lever w/ 5048 Rose



003	031	044	033
102	112	190	076
055	056	260	

5104 Lever w/ 5004 Rose



003	031	044	033
102	112	190	076
055	056	260	

5105 Lever w/ 5046 Rose



044	102	190	055
056	260	076	112

5106 Lever w/ 5048 Rose



003	031	044	033
102	112	190	076
055	056	260	

5108 Lever w/ 5048 Rose



003	031	044	033
102	112	190	076
055	056	260	

5112 Lever w/ 5075 Rose



003	031	044	033
102	112	190	076
055	056	260	

5113 Lever w/ 5078 Rose



003	031	044	033
102	112	190	076
055	056	260	

5116 Lever w/ 5070 Rose



003	031	044	033
102	112	190	076
055	056	260	

5118 Lever w/ 5076 Rose



003	031	044	033
102	112	190	076
055	056	260	

5121 Lever w/ R012 Rose



003	031	044	033
102	112	190	076
055	056	260	

5122 Lever w/ 5021 Rose



003	031	044	033
102	112	190	076
055	056	260	

5125 Lever w/ 5048 Rose



003	031	044	033
102	112	190	076
055	056	260	

5137 Lever w/ 5046 Rose



044	102	112	190
055	056	260	076

5138 Lever w/ 5047 Rose



044	102	112	190
055	056	260	076

5141 Lever w/ R033 Rose



003	031	044	033
102	112	190	076
055	056	260	

5152 Lever w/ 5048 Rose



003	031	044	033
102	112	190	076
055	056	260	

5161 Lever w/ 5046 Rose



044	102	112	190
055	056	260	076

5162 Lever w/ R017 Rose



044	102	112	190
055	056	260	076

5164 Houston Lever w/ 5046 Rose



044	102	112	190
055	056	260	076

5165 Lever w/ 5046 Rose



044	102	112	190
055	056	260	076

5166 Lever w/ 5046 Rose



044	102	112	190
055	056	260	076

5173 Lever w/ 5046 Rose



044	102	112	190
055	056	260	076

5190 Lever w/ R017 Rose



003	031	044	033
102	112	190	076
055	056	260	

5445V Classic
Lever w/ 5048 Rose



003	031	044	033
102	112	190	076
055	056	260	

5447V Bethpage
Lever w/ R027 Rose



003	031	044	033
102	112	190	076
055	056	260	

5452V Beavertail
Lever w/ R030 Rose



112	102	190	402
-----	-----	-----	-----

5455V Wave
Lever w/ 5048 Rose



003	031	044	033
102	112	190	076
055	056	260	

5485V Soho
Lever w/ R026 Rose



044	102	112	190
055	056	260	076

L015 Lever w/ R016 Rose



044	102	112	190
055	056	260	076

L021 Lever w/ R017 Rose



044	102	112	190
055	056	260	076

L022 Lever w/ R017 Rose



044	102	112	190
055	056	260	076

L023 Lever w/ R017 Rose



044	102	112	190
055	056	260	076

L024 Lever w/ R046 Rose



003	031	044	033
102	112	190	076
055	056	260	

L029 Gramercy Lever w/ R017 Rose



003	031	044	033
102	112	190	076
055	056	260	

L031 Curved Gramercy w/ 5046 Rose



003	031	044	033
102	112	190	076
055	056	260	

L033 Briarcrest w/ 5070 Rose



003	031	044	033
102	112	190	076
055	056	260	

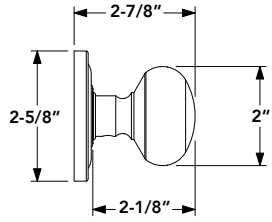
L034 Nashville Lever w/ 5078 Rose



003	031	044	033
102	112	190	076
055	056	260	

5000 Baltimore Knob (2")

Pre-Configured w/ 5048 Rose



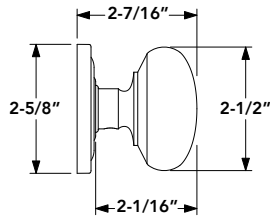
Finish: 003, 031, 033, 044, 055, 056, 076, 102, 112, 190, 260

Item #	Description	Price
5000.xxx.FD	Full Dummy	\$324
5000.xxx.IDM	Half Dummy	\$162
5000.xxx.PASS	Passage: 2 3/8" backset	\$405
5000.xxx.PRIV	Privacy: 2 3/8" backset	

NOTE: Compatible with 1 3/8" and 1 3/4" thick doors.
 QUICKSHIP PASS and PRIV sets shipped after 2/1/2025 include a 2 3/8" and 2 3/4" adjustable backset latch, full lip strike, t-strike, universal dust box, and pre-bore adaptor.
 QUICKSHIP LEGACY PASS and PRIV functions include a 2 3/8" backset latch and a full lip strike.

5083 Baltimore Knob (2 1/2")

Pre-Configured w/ 5048 Rose



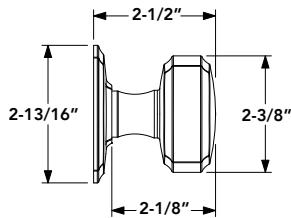
Finish: 003, 031, 033, 044, 055, 056, 076, 102, 112, 190, 260

Item #	Description	Price
5083.xxx.FD	Full Dummy	\$346
5083.xxx.IDM	Half Dummy	\$173
5083.xxx.PASS	Passage: 2 3/8" backset	\$433
5083.xxx.PRIV	Privacy: 2 3/8" backset	

NOTE: Compatible with 1 3/8" and 1 3/4" thick doors.
 QUICKSHIP PASS and PRIV sets shipped after 2/1/2025 include a 2 3/8" and 2 3/4" adjustable backset latch, full lip strike, t-strike, universal dust box, and pre-bore adaptor.
 QUICKSHIP LEGACY PASS and PRIV functions include a 2 3/8" backset latch and a full lip strike.

5011 Knob

Pre-Configured w/ 5058 Rose



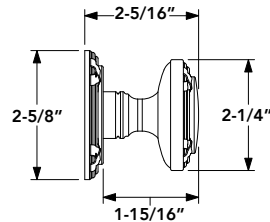
Finish: 003, 031, 033, 044, 055, 056, 076, 102, 112, 190, 260

Item #	Description	Price
5011.xxx.FD	Full Dummy	\$324
5011.xxx.IDM	Half Dummy	\$162
5011.xxx.PASS	Passage: 2 3/8" backset	\$405
5011.xxx.PRIV	Privacy: 2 3/8" backset	

NOTE: Compatible with 1 3/8" and 1 3/4" thick doors.
 QUICKSHIP PASS and PRIV sets shipped after 2/1/2025 include a 2 3/8" and 2 3/4" adjustable backset latch, full lip strike, t-strike, universal dust box, and pre-bore adaptor.
 QUICKSHIP LEGACY PASS and PRIV functions include a 2 3/8" backset latch and a full lip strike.

5013 Edinburgh Knob

Pre-Configured w/ 5021 Rose



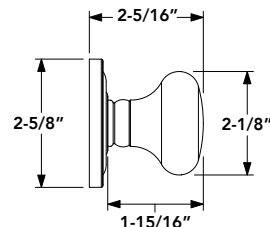
Finish: 003, 031, 033, 044, 055, 056, 076, 102, 112, 190, 260

Item #	Description	Price
5013.xxx.FD	Full Dummy	\$324
5013.xxx.IDM	Half Dummy	\$162
5013.xxx.PASS	Passage: 2 3/8" backset	\$405
5013.xxx.PRIV	Privacy: 2 3/8" backset	

NOTE: Compatible with 1 3/8" and 1 3/4" thick doors.
 QUICKSHIP PASS and PRIV sets shipped after 2/1/2025 include a 2 3/8" and 2 3/4" adjustable backset latch, full lip strike, t-strike, universal dust box, and pre-bore adaptor.
 QUICKSHIP LEGACY PASS and PRIV functions include a 2 3/8" backset latch and a full lip strike.

5015 Classic Knob

Pre-Configured w/ 5048 Rose



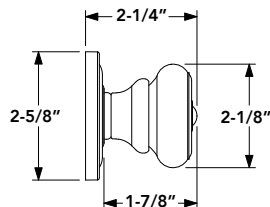
Finish: 003, 031, 033, 044, 055, 056, 076, 102, 112, 190, 260

Item #	Description	Price
5015.xxx.FD	Full Dummy	\$274
5015.xxx.IDM	Half Dummy	\$137
5015.xxx.PASS	Passage: 2 3/8" backset	\$343
5015.xxx.PRIV	Privacy: 2 3/8" backset	

NOTE: Compatible with 1 3/8" and 1 3/4" thick doors.
 QUICKSHIP PASS and PRIV sets shipped after 2/1/2025 include a 2 3/8" and 2 3/4" adjustable backset latch, full lip strike, t-strike, universal dust box, and pre-bore adaptor.
 QUICKSHIP LEGACY PASS and PRIV functions include a 2 3/8" backset latch and a full lip strike.

5020 Colonial Knob

Pre-Configured w/ 5048 Rose



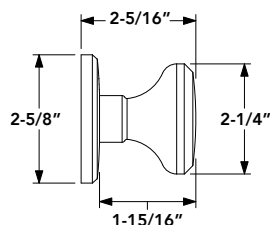
Finish: 003, 031, 033, 044, 055, 056, 076, 102, 112, 190, 260

Item #	Description	Price
5020.xxx.FD	Full Dummy	\$274
5020.xxx.IDM	Half Dummy	\$137
5020.xxx.PASS	Passage: 2 3/8" backset	\$343
5020.xxx.PRIV	Privacy: 2 3/8" backset	

NOTE: Compatible with 1 3/8" and 1 3/4" thick doors. QUICKSHIP PASS and PRIV sets shipped after 2/1/2025 include a 2 3/8" and 2 3/4" adjustable backset latch, full lip strike, t-strike, universal dust box, and pre-bore adaptor. QUICKSHIP LEGACY PASS and PRIV functions include a 2 3/8" backset latch and a full lip strike.

5023 Knob

Pre-Configured w/ R016 Rose



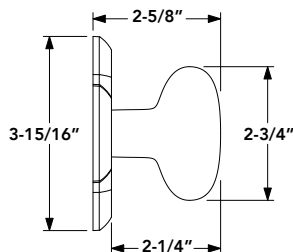
Finish: 003, 031, 033, 044, 055, 056, 076, 102, 112, 190, 260

Item #	Description	Price
5023.xxx.FD	Full Dummy	\$304
5023.xxx.IDM	Half Dummy	\$152
5023.xxx.PASS	Passage: 2 3/8" backset	\$380
5023.xxx.PRIV	Privacy: 2 3/8" backset	

NOTE: Compatible with 1 3/8" and 1 3/4" thick doors. QUICKSHIP PASS and PRIV sets shipped after 2/1/2025 include a 2 3/8" and 2 3/4" adjustable backset latch, full lip strike, t-strike, universal dust box, and pre-bore adaptor. QUICKSHIP LEGACY PASS and PRIV functions include a 2 3/8" backset latch and a full lip strike.

5024 Knob

Pre-Configured w/ R030 Rose



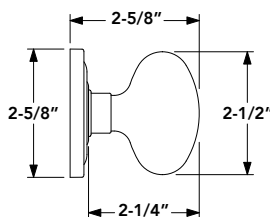
Finish: 102, 112, 190, 402

Item #	Description	Price
5024.xxx.FD	Full Dummy	\$274
5024.xxx.IDM	Half Dummy	\$137
5024.xxx.PASS	Passage: 2 3/8" backset	\$343
5024.xxx.PRIV	Privacy: 2 3/8" backset	

NOTE: Compatible with 1 3/8" and 1 3/4" thick doors. QUICKSHIP PASS and PRIV sets shipped after 2/1/2025 include a 2 3/8" and 2 3/4" adjustable backset latch, full lip strike, t-strike, universal dust box, and pre-bore adaptor. QUICKSHIP LEGACY PASS and PRIV functions include a 2 3/8" backset latch and a full lip strike.

5025 Egg Knob

Pre-Configured w/ 5048 Rose



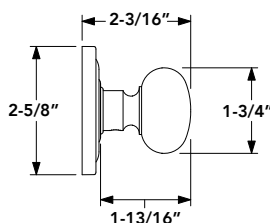
Finish: 003, 031, 033, 044, 055, 056, 076, 102, 112, 190, 260

Item #	Description	Price
5025.xxx.FD	Full Dummy	\$274
5025.xxx.IDM	Half Dummy	\$137
5025.xxx.PASS	Passage: 2 3/8" backset	\$343
5025.xxx.PRIV	Privacy: 2 3/8" backset	

NOTE: Compatible with 1 3/8" and 1 3/4" thick doors. QUICKSHIP PASS and PRIV sets shipped after 2/1/2025 include a 2 3/8" and 2 3/4" adjustable backset latch, full lip strike, t-strike, universal dust box, and pre-bore adaptor. QUICKSHIP LEGACY PASS and PRIV functions include a 2 3/8" backset latch and a full lip strike.

5030 Knob

Pre-Configured w/ 5048 Rose



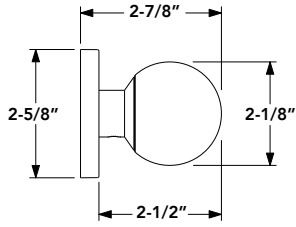
Finish: 003, 031, 033, 044, 055, 056, 076, 102, 112, 190, 260

Item #	Description	Price
5030.xxx.FD	Full Dummy	\$324
5030.xxx.IDM	Half Dummy	\$162
5030.xxx.PASS	Passage: 2 3/8" backset	\$405
5030.xxx.PRIV	Privacy: 2 3/8" backset	

NOTE: Compatible with 1 3/8" and 1 3/4" thick doors. QUICKSHIP PASS and PRIV sets shipped after 2/1/2025 include a 2 3/8" and 2 3/4" adjustable backset latch, full lip strike, t-strike, universal dust box, and pre-bore adaptor. QUICKSHIP LEGACY PASS and PRIV functions include a 2 3/8" backset latch and a full lip strike.

5041 Knob

Pre-Configured w/ 5046 Rose



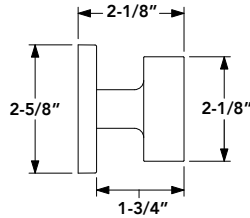
Finish: 044, 055, 056, 076, 102, 112, 190, 260

Item #	Description	Price
5041.xxx.FD	Full Dummy	\$274
5041.xxx.IDM	Half Dummy	\$137
5041.xxx.PASS	Passage: 2 3/8" backset	\$343
5041.xxx.PRIV	Privacy: 2 3/8" backset	

NOTE: Compatible with 1 3/8" and 1 3/4" thick doors. QUICKSHIP PASS and PRIV sets shipped after 2/1/2025 include a 2 3/8" and 2 3/4" adjustable backset latch, full lip strike, t-strike, universal dust box, and pre-bore adaptor. QUICKSHIP LEGACY PASS and PRIV functions include a 2 3/8" backset latch and a full lip strike.

5055 Minneapolis Knob (2 1/8")

Pre-Configured w/ 5046 Rose



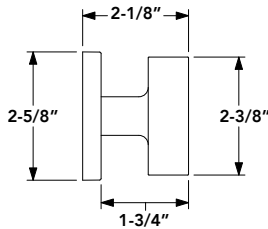
Finish: 044, 055, 056, 076, 102, 112, 190, 260

Item #	Description	Price
5055.xxx.FD	Full Dummy	\$324
5055.xxx.IDM	Half Dummy	\$162
5055.xxx.PASS	Passage: 2 3/8" backset	\$405
5055.xxx.PRIV	Privacy: 2 3/8" backset	

NOTE: Compatible with 1 3/8" and 1 3/4" thick doors. QUICKSHIP PASS and PRIV sets shipped after 2/1/2025 include a 2 3/8" and 2 3/4" adjustable backset latch, full lip strike, t-strike, universal dust box, and pre-bore adaptor. QUICKSHIP LEGACY PASS and PRIV functions include a 2 3/8" backset latch and a full lip strike.

5079 Minneapolis Knob (2 3/8")

Pre-Configured w/ 5046 Rose



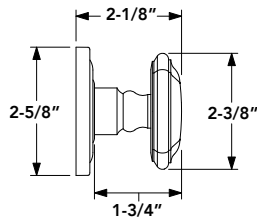
Finish: 044, 055, 056, 076, 102, 112, 190, 260

Item #	Description	Price
5079.xxx.FD	Full Dummy	\$346
5079.xxx.IDM	Half Dummy	\$176
5079.xxx.PASS	Passage: 2 3/8" backset	\$433
5079.xxx.PRIV	Privacy: 2 3/8" backset	

NOTE: Compatible with 1 3/8" and 1 3/4" thick doors. QUICKSHIP PASS and PRIV sets shipped after 2/1/2025 include a 2 3/8" and 2 3/4" adjustable backset latch, full lip strike, t-strike, universal dust box, and pre-bore adaptor. QUICKSHIP LEGACY PASS and PRIV functions include a 2 3/8" backset latch and a full lip strike.

5057 Knob

Pre-Configured w/ 5048 Rose



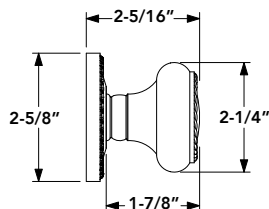
Finish: 003, 031, 033, 044, 055, 056, 076, 102, 112, 190, 260

Item #	Description	Price
5057.xxx.FD	Full Dummy	\$324
5057.xxx.IDM	Half Dummy	\$162
5057.xxx.PASS	Passage: 2 3/8" backset	\$405
5057.xxx.PRIV	Privacy: 2 3/8" backset	

NOTE: Compatible with 1 3/8" and 1 3/4" thick doors. QUICKSHIP PASS and PRIV sets shipped after 2/1/2025 include a 2 3/8" and 2 3/4" adjustable backset latch, full lip strike, t-strike, universal dust box, and pre-bore adaptor. QUICKSHIP LEGACY PASS and PRIV functions include a 2 3/8" backset latch and a full lip strike.

5064 Bristol Knob

Pre-Configured w/ 5004 Rose



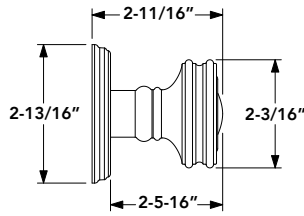
Finish: 003, 031, 033, 044, 055, 056, 076, 102, 112, 190, 260

Item #	Description	Price
5064.xxx.FD	Full Dummy	\$324
5064.xxx.IDM	Half Dummy	\$162
5064.xxx.PASS	Passage: 2 3/8" backset	\$405
5064.xxx.PRIV	Privacy: 2 3/8" backset	

NOTE: Compatible with 1 3/8" and 1 3/4" thick doors. QUICKSHIP PASS and PRIV sets shipped after 2/1/2025 include a 2 3/8" and 2 3/4" adjustable backset latch, full lip strike, t-strike, universal dust box, and pre-bore adaptor. QUICKSHIP LEGACY PASS and PRIV functions include a 2 3/8" backset latch and a full lip strike.

5066 Knob

Pre-Configured w/ 5078 Rose



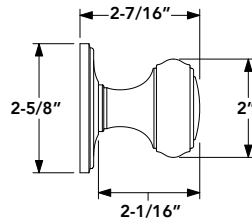
Finish: 003, 031, 033, 044, 055, 056, 076, 102, 112, 190, 260

Item #	Description	Price
5066.xxx.FD	Full Dummy	\$324
5066.xxx.IDM	Half Dummy	\$162
5066.xxx.PASS	Passage: 2 3/8" backset	\$405
5066.xxx.PRIV	Privacy: 2 3/8" backset	

NOTE: Compatible with 1 3/8" and 1 3/4" thick doors. QUICKSHIP PASS and PRIV sets shipped after 2/1/2025 include a 2 3/8" and 2 3/4" adjustable backset latch, full lip strike, t-strike, universal dust box, and pre-bore adaptor. QUICKSHIP LEGACY PASS and PRIV functions include a 2 3/8" backset latch and a full lip strike.

5087 Nashville Knob (2")

Pre-Configured w/ 5070 Rose



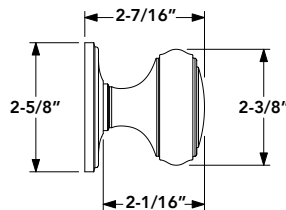
Finish: 003, 031, 033, 044, 055, 056, 076, 102, 112, 190, 260

Item #	Description	Price
5087.xxx.FD	Full Dummy	\$304
5087.xxx.IDM	Half Dummy	\$152
5087.xxx.PASS	Passage: 2 3/8" backset	\$380
5087.xxx.PRIV	Privacy: 2 3/8" backset	

NOTE: Compatible with 1 3/8" and 1 3/4" thick doors. QUICKSHIP PASS and PRIV sets shipped after 2/1/2025 include a 2 3/8" and 2 3/4" adjustable backset latch, full lip strike, t-strike, universal dust box, and pre-bore adaptor. QUICKSHIP LEGACY PASS and PRIV functions include a 2 3/8" backset latch and a full lip strike.

5068 Nashville Knob (2 3/8")

Pre-Configured w/ 5070 Rose



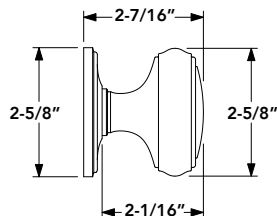
Finish: 003, 031, 033, 044, 055, 056, 076, 102, 112, 190, 260

Item #	Description	Price
5068.xxx.FD	Full Dummy	\$324
5068.xxx.IDM	Half Dummy	\$162
5068.xxx.PASS	Passage: 2 3/8" backset	\$405
5068.xxx.PRIV	Privacy: 2 3/8" backset	

NOTE: Compatible with 1 3/8" and 1 3/4" thick doors. QUICKSHIP PASS and PRIV sets shipped after 2/1/2025 include a 2 3/8" and 2 3/4" adjustable backset latch, full lip strike, t-strike, universal dust box, and pre-bore adaptor. QUICKSHIP LEGACY PASS and PRIV functions include a 2 3/8" backset latch and a full lip strike.

5088 Nashville Knob (2 5/8")

Pre-Configured w/ 5070 Rose



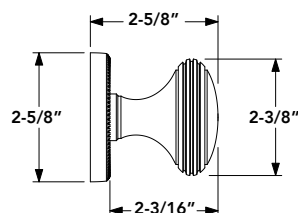
Finish: 003, 031, 033, 044, 055, 056, 076, 102, 112, 190, 260

Item #	Description	Price
5088.xxx.FD	Full Dummy	\$346
5088.xxx.IDM	Half Dummy	\$173
5088.xxx.PASS	Passage: 2 3/8" backset	\$433
5088.xxx.PRIV	Privacy: 2 3/8" backset	

NOTE: Compatible with 1 3/8" and 1 3/4" thick doors. QUICKSHIP PASS and PRIV sets shipped after 2/1/2025 include a 2 3/8" and 2 3/4" adjustable backset latch, full lip strike, t-strike, universal dust box, and pre-bore adaptor. QUICKSHIP LEGACY PASS and PRIV functions include a 2 3/8" backset latch and a full lip strike.

5069 Knob

Pre-Configured w/ 5076 Rose



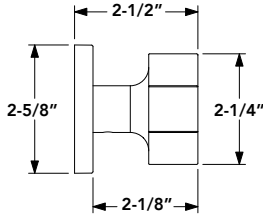
Finish: 003, 031, 033, 044, 055, 056, 076, 102, 112, 190, 260

Item #	Description	Price
5069.xxx.FD	Full Dummy	\$324
5069.xxx.IDM	Half Dummy	\$162
5069.xxx.PASS	Passage: 2 3/8" backset	\$405
5069.xxx.PRIV	Privacy: 2 3/8" backset	

NOTE: Compatible with 1 3/8" and 1 3/4" thick doors. QUICKSHIP PASS and PRIV sets shipped after 2/1/2025 include a 2 3/8" and 2 3/4" adjustable backset latch, full lip strike, t-strike, universal dust box, and pre-bore adaptor. QUICKSHIP LEGACY PASS and PRIV functions include a 2 3/8" backset latch and a full lip strike.

5073 Knob

Pre-Configured w/ 5046 Rose



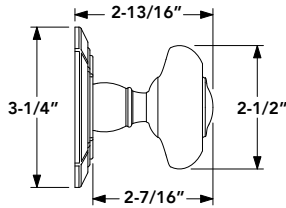
Finish: 044, 055, 056, 076, 102, 112, 190, 260

Item #	Description	Price
5073.xxx.FD	Full Dummy	\$324
5073.xxx.IDM	Half Dummy	\$162
5073.xxx.PASS	Passage: 2 3/8" backset	\$405
5073.xxx.PRIV	Privacy: 2 3/8" backset	

NOTE: Compatible with 1 3/8" and 1 3/4" thick doors. QUICKSHIP PASS and PRIV sets shipped after 2/1/2025 include a 2 3/8" and 2 3/4" adjustable backset latch, full lip strike, t-strike, universal dust box, and pre-bore adaptor. QUICKSHIP LEGACY PASS and PRIV functions include a 2 3/8" backset latch and a full lip strike.

5077 Bethpage Knob

Pre-Configured w/ R027 Rose



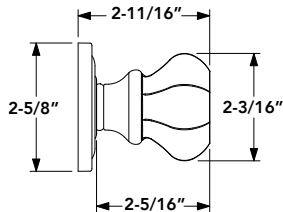
Finish: 003, 031, 033, 044, 055, 056, 076, 102, 112, 190, 260

Item #	Description	Price
5077.xxx.FD	Full Dummy	\$274
5077.xxx.IDM	Half Dummy	\$137
5077.xxx.PASS	Passage: 2 3/8" backset	\$343
5077.xxx.PRIV	Privacy: 2 3/8" backset	

NOTE: Compatible with 1 3/8" and 1 3/4" thick doors. QUICKSHIP PASS and PRIV sets shipped after 2/1/2025 include a 2 3/8" and 2 3/4" adjustable backset latch, full lip strike, t-strike, universal dust box, and pre-bore adaptor. QUICKSHIP LEGACY PASS and PRIV functions include a 2 3/8" backset latch and a full lip strike.

5080 Fillmore Knob

Pre-Configured w/ 5048 Rose



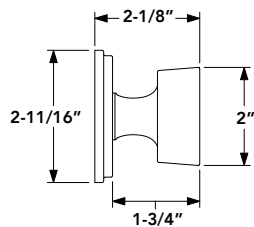
Finish: 030,044, 055, 102, 112, 150, 190, 260

Item #	Description	Price
5080.xxx.FD	Full Dummy	\$304
5080.xxx.IDM	Half Dummy	\$152
5080.xxx.PASS	Passage: 2 3/8" backset	\$380
5080.xxx.PRIV	Privacy: 2 3/8" backset	

NOTE: Compatible with 1 3/8" and 1 3/4" thick doors. QUICKSHIP PASS and PRIV sets shipped after 2/1/2025 include a 2 3/8" and 2 3/4" adjustable backset latch, full lip strike, t-strike, universal dust box, and pre-bore adaptor. QUICKSHIP LEGACY PASS and PRIV functions include a 2 3/8" backset latch and a full lip strike.

K007 Hollywood Hills Knob (2")

Pre-Configured w/ R050 Rose



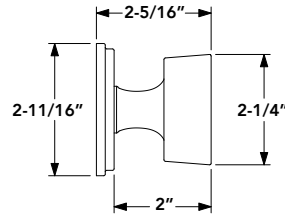
Finish: 003, 031, 033, 044, 055, 056, 076, 102, 112, 190, 260

Item #	Description	Price
K007.xxx.FD	Full Dummy	\$304
K007.xxx.IDM	Half Dummy	\$152
K007.xxx.PASS	Passage: 2 3/8" backset	\$380
K007.xxx.PRIV	Privacy: 2 3/8" backset	

NOTE: Compatible with 1 3/8" and 1 3/4" thick doors. QUICKSHIP PASS and PRIV sets shipped after 2/1/2025 include a 2 3/8" and 2 3/4" adjustable backset latch, full lip strike, t-strike, universal dust box, and pre-bore adaptor. QUICKSHIP LEGACY PASS and PRIV functions include a 2 3/8" backset latch and a full lip strike.

K008 Hollywood Hills Knob (2 1/4")

Pre-Configured w/ R050 Rose



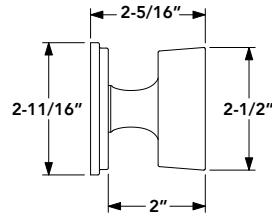
Finish: 003, 031, 033, 044, 055, 056, 076, 102, 112, 190, 260

Item #	Description	Price
K008.xxx.FD	Full Dummy	\$324
K008.xxx.IDM	Half Dummy	\$162
K008.xxx.PASS	Passage: 2 3/8" backset	\$405
K008.xxx.PRIV	Privacy: 2 3/8" backset	

NOTE: Compatible with 1 3/8" and 1 3/4" thick doors.
 QUICKSHIP PASS and PRIV sets shipped after 2/1/2025 include a 2 3/8" and 2 3/4" adjustable backset latch, full lip strike, t-strike, universal dust box, and pre-bore adaptor.
 QUICKSHIP LEGACY PASS and PRIV functions include a 2 3/8" backset latch and a full lip strike.

K009 Hollywood Hills Knob (2 1/2")

Pre-Configured w/ R050 Rose



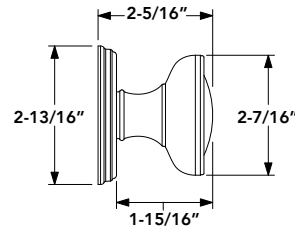
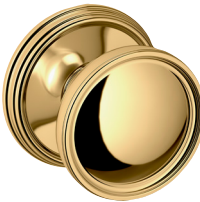
Finish: 003, 031, 033, 044, 055, 056, 076, 102, 112, 190, 260

Item #	Description	Price
K009.xxx.FD	Full Dummy	\$346
K009.xxx.IDM	Half Dummy	\$173
K009.xxx.PASS	Passage: 2 3/8" backset	\$433
K009.xxx.PRIV	Privacy: 2 3/8" backset	

NOTE: Compatible with 1 3/8" and 1 3/4" thick doors.
 QUICKSHIP PASS and PRIV sets shipped after 2/1/2025 include a 2 3/8" and 2 3/4" adjustable backset latch, full lip strike, t-strike, universal dust box, and pre-bore adaptor.
 QUICKSHIP LEGACY PASS and PRIV functions include a 2 3/8" backset latch and a full lip strike.

K012 Knob

Pre-Configured w/ R0789 Rose



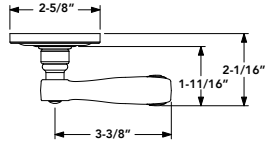
Finish: 003, 031, 033, 044, 055, 056, 076, 102, 112, 190, 260

Item #	Description	Price
K012.xxx.FD	Full Dummy	\$346
K012.xxx.IDM	Half Dummy	\$173
K012.xxx.PASS	Passage: 2 3/8" backset	\$433
K012.xxx.PRIV	Privacy: 2 3/8" backset	

NOTE: Compatible with 1 3/8" and 1 3/4" thick doors.
 QUICKSHIP PASS and PRIV sets shipped after 2/1/2025 include a 2 3/8" and 2 3/4" adjustable backset latch, full lip strike, t-strike, universal dust box, and pre-bore adaptor.
 QUICKSHIP LEGACY PASS and PRIV functions include a 2 3/8" backset latch and a full lip strike.

5103 Lever

Pre-Configured w/ 5048 Rose



Finish: 003, 031, 033, 044, 055, 056, 076, 102, 112, 190, 260

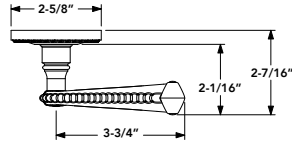
Item #	Description	Price
5103.xxx.FD	Full Dummy	\$324
5103.xxx.RDM (.LDM)	Right (Left) Hand Half Dummy	\$162
5103.xxx.PASS	Passage: 2 3/8" backset	\$405
5103.xxx.PRIV	Privacy: 2 3/8" backset	

NOTE: Compatible with 1 3/8" and 1 3/4" thick doors.

QUICKSHIP PASS and PRIV sets shipped after 2/1/2025 include a 2 3/8" adjustable backset latch, full lip strike, t-strike, universal dust box, and pre-bore adaptor. QUICKSHIP LEGACY PASS and PRIV functions include a 2 3/8" backset latch and a full lip strike.

5104 Bristol Lever

Pre-Configured w/ 5004 Rose



Finish: 003, 031, 033, 044, 055, 056, 076, 102, 112, 190, 260

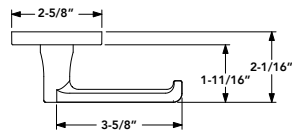
Item #	Description	Price
5104.xxx.FD	Full Dummy	\$324
5104.xxx.RDM (.LDM)	Right (Left) Hand Half Dummy	\$162
5104.xxx.PASS	Passage: 2 3/8" backset	\$405
5104.xxx.PRIV	Privacy: 2 3/8" backset	

NOTE: Compatible with 1 3/8" and 1 3/4" thick doors.

QUICKSHIP PASS and PRIV sets shipped after 2/1/2025 include a 2 3/8" and 2 3/4" adjustable backset latch, full lip strike, t-strike, universal dust box, and pre-bore adaptor. QUICKSHIP LEGACY PASS and PRIV functions include a 2 3/8" backset latch and a full lip strike.

5105 Lever

Pre-Configured w/ 5046 Rose



Finish: 044, 055, 056, 076, 102, 112, 190, 260

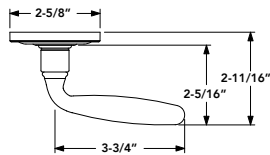
Item #	Description	Price
5105.xxx.FD	Full Dummy	\$324
5105.xxx.RDM (.LDM)	Right (Left) Hand Half Dummy	\$162
5105.xxx.PASS	Passage: 2 3/8" backset	\$405
5105.xxx.PRIV	Privacy: 2 3/8" backset	

NOTE: Compatible with 1 3/8" and 1 3/4" thick doors.

QUICKSHIP PASS and PRIV sets shipped after 2/1/2025 include a 2 3/8" and 2 3/4" adjustable backset latch, full lip strike, t-strike, universal dust box, and pre-bore adaptor. QUICKSHIP LEGACY PASS and PRIV functions include a 2 3/8" backset latch and a full lip strike.

5106 Lever

Pre-Configured w/ 5048 Rose



Finish: 003, 031, 033, 044, 055, 056, 076, 102, 112, 190, 260

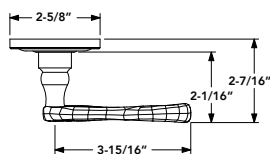
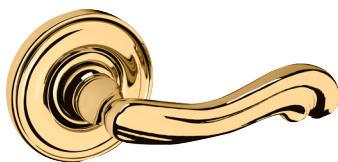
Item #	Description	Price
5106.xxx.FD	Full Dummy	\$324
5106.xxx.RDM (.LDM)	Right (Left) Hand Half Dummy	\$162
5106.xxx.PASS	Passage: 2 3/8" backset	\$405
5106.xxx.PRIV	Privacy: 2 3/8" backset	

NOTE: Compatible with 1 3/8" and 1 3/4" thick doors.

QUICKSHIP PASS and PRIV sets shipped after 2/1/2025 include a 2 3/8" and 2 3/4" adjustable backset latch, full lip strike, t-strike, universal dust box, and pre-bore adaptor. QUICKSHIP LEGACY PASS and PRIV functions include a 2 3/8" backset latch and a full lip strike.

5108 Kensington Lever

Pre-Configured w/ 5048 Rose



Finish: 003, 031, 033, 044, 055, 056, 076, 102, 112, 190, 260

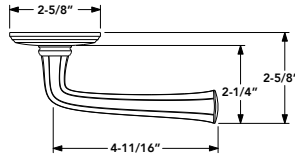
Item #	Description	Price
5108.xxx.FD	Full Dummy	\$324
5108.xxx.RDM (.LDM)	Right (Left) Hand Half Dummy	\$162
5108.xxx.PASS	Passage: 2 3/8" backset	\$405
5108.xxx.PRIV	Privacy: 2 3/8" backset	

NOTE: Compatible with 1 3/8" and 1 3/4" thick doors.

QUICKSHIP PASS and PRIV sets shipped after 2/1/2025 include a 2 3/8" and 2 3/4" adjustable backset latch, full lip strike, t-strike, universal dust box, and pre-bore adaptor. QUICKSHIP LEGACY PASS and PRIV functions include a 2 3/8" backset latch and a full lip strike.

5112 Lever

Pre-Configured w/ 5075 Rose



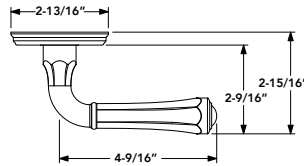
Finish: 003, 031, 033, 044, 055, 056, 076, 102, 112, 190, 260

Item #	Description	Price
5112.xxx.FD	Full Dummy	\$324
5112.xxx.RDM (.LDM)	Right (Left) Hand Half Dummy	\$162
5112.xxx.PASS	Passage: 2 3/8" backset	\$405
5112.xxx.PRIV	Privacy: 2 3/8" backset	

NOTE: Compatible with 1 3/8" and 1 3/4" thick doors.
 QUICKSHIP PASS and PRIV sets shipped after 2/1/2025 include a 2 3/8" and 2 3/4" adjustable backset latch, full lip strike, t-strike, universal dust box, and pre-bore adaptor.
 QUICKSHIP LEGACY PASS and PRIV functions include a 2 5/8" backset latch and a full lip strike.

5113 Lever

Pre-Configured w/ 5078 Rose



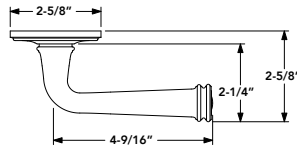
Finish: 003, 031, 033, 044, 055, 056, 076, 102, 112, 190, 260

Item #	Description	Price
5113.xxx.FD	Full Dummy	\$324
5113.xxx.RDM (.LDM)	Right (Left) Hand Half Dummy	\$162
5113.xxx.PASS	Passage: 2 3/8" backset	\$405
5113.xxx.PRIV	Privacy: 2 3/8" backset	

NOTE: Compatible with 1 3/8" and 1 3/4" thick doors.
 QUICKSHIP PASS and PRIV sets shipped after 2/1/2025 include a 2 3/8" and 2 3/4" adjustable backset latch, full lip strike, t-strike, universal dust box, and pre-bore adaptor.
 QUICKSHIP LEGACY PASS and PRIV functions include a 2 3/8" backset latch and a full lip strike.

5116 Lever

Pre-Configured w/ 5070 Rose



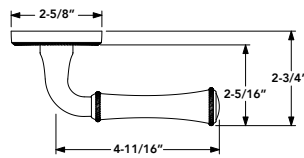
Finish: 003, 031, 033, 044, 055, 056, 076, 102, 112, 190, 260

Item #	Description	Price
5116.xxx.FD	Full Dummy	\$324
5116.xxx.RDM (.LDM)	Right (Left) Hand Half Dummy	\$162
5116.xxx.PASS	Passage: 2 3/8" backset	\$405
5116.xxx.PRIV	Privacy: 2 3/8" backset	

NOTE: Compatible with 1 3/8" and 1 3/4" thick doors.
 QUICKSHIP PASS and PRIV sets shipped after 2/1/2025 include a 2 3/8" and 2 3/4" adjustable backset latch, full lip strike, t-strike, universal dust box, and pre-bore adaptor.
 QUICKSHIP LEGACY PASS and PRIV functions include a 2 3/8" backset latch and a full lip strike.

5118 Lever

Pre-Configured w/ 5076 Rose



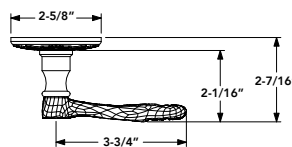
Finish: 003, 031, 033, 044, 055, 056, 076, 102, 112, 190, 260

Item #	Description	Price
5118.xxx.FD	Full Dummy	\$324
5118.xxx.RDM (.LDM)	Right (Left) Hand Half Dummy	\$162
5118.xxx.PASS	Passage: 2 3/8" backset	\$405
5118.xxx.PRIV	Privacy: 2 3/8" backset	

NOTE: Compatible with 1 3/8" and 1 3/4" thick doors.
 QUICKSHIP PASS and PRIV sets shipped after 2/1/2025 include a 2 3/8" and 2 3/4" adjustable backset latch, full lip strike, t-strike, universal dust box, and pre-bore adaptor.
 QUICKSHIP LEGACY PASS and PRIV functions include a 2 3/8" backset latch and a full lip strike.

5121 Lever

Pre-Configured w/ R012 Rose



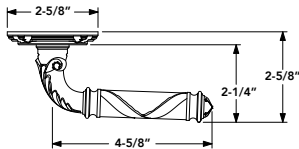
Finish: 003, 031, 033, 044, 055, 056, 076, 102, 112, 190, 260

Item #	Description	Price
5121.xxx.FD	Full Dummy	\$324
5121.xxx.RDM (.LDM)	Right (Left) Hand Half Dummy	\$162
5121.xxx.PASS	Passage: 2 3/8" backset	\$405
5121.xxx.PRIV	Privacy: 2 3/8" backset	

NOTE: Compatible with 1 3/8" and 1 3/4" thick doors.
 QUICKSHIP PASS and PRIV sets shipped after 2/1/2025 include a 2 3/8" and 2 3/4" adjustable backset latch, full lip strike, t-strike, universal dust box, and pre-bore adaptor.
 QUICKSHIP LEGACY PASS and PRIV functions include a 2 3/8" backset latch and a full lip strike.

5122 Edinburgh Lever

Pre-Configured w/ 5021 Rose



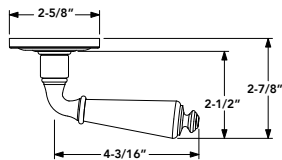
Finish: 003, 031, 033, 044, 055, 056, 076, 102, 112, 190, 260

Item #	Description	Price
5122.xxx.FD	Full Dummy	\$324
5122.xxx.RDM (.LDM)	Right (Left) Hand Half Dummy	\$162
5122.xxx.PASS	Passage: 2 3/8" backset	\$405
5122.xxx.PRIV	Privacy: 2 3/8" backset	

NOTE: Compatible with 1 3/8" and 1 3/4" thick doors.
 QUICKSHIP PASS and PRIV sets shipped after 2/1/2025 include a 2 3/8" and 2 3/4" adjustable backset latch, full lip strike, t-strike, universal dust box, and pre-bore adaptor.
 QUICKSHIP LEGACY PASS and PRIV functions include a 2 3/8" backset latch and a full lip strike.

5125 Lever

Pre-Configured w/ R048 Rose



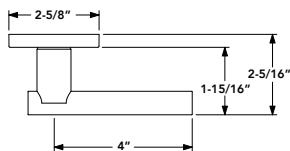
Finish: 003, 031, 033, 044, 055, 056, 076, 102, 112, 190, 260

Item #	Description	Price
5125.xxx.FD	Full Dummy	\$324
5125.xxx.RDM (.LDM)	Right (Left) Hand Half Dummy	\$162
5125.xxx.PASS	Passage: 2 3/8" backset	\$405
5125.xxx.PRIV	Privacy: 2 3/8" backset	

NOTE: Compatible with 1 3/8" and 1 3/4" thick doors.
 QUICKSHIP PASS and PRIV sets shipped after 2/1/2025 include a 2 3/8" and 2 3/4" adjustable backset latch, full lip strike, t-strike, universal dust box, and pre-bore adaptor.
 QUICKSHIP LEGACY PASS and PRIV functions include a 2 3/8" backset latch and a full lip strike.

5137 Lever

Pre-Configured w/ 5046 Rose



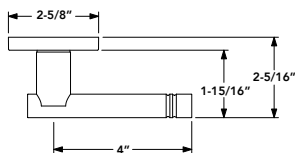
Finish: 044, 055, 056, 076, 102, 112, 190, 260

Item #	Description	Price
5137.xxx.FD	Full Dummy	\$324
5137.xxx.RDM (.LDM)	Right (Left) Hand Half Dummy	\$162
5137.xxx.PASS	Passage: 2 3/8" backset	\$405
5137.xxx.PRIV	Privacy: 2 3/8" backset	

NOTE: Compatible with 1 3/8" and 1 3/4" thick doors.
 QUICKSHIP PASS and PRIV sets shipped after 2/1/2025 include a 2 3/8" and 2 3/4" adjustable backset latch, full lip strike, t-strike, universal dust box, and pre-bore adaptor.
 QUICKSHIP LEGACY PASS and PRIV functions include a 2 3/8" backset latch and a full lip strike.

5138 Lever

Pre-Configured w/ 5047 Rose

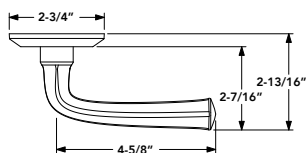


Item #	Description	Price
5138.xxx.FD	Full Dummy	\$324
5138.xxx.RDM (.LDM)	Right (Left) Hand Half Dummy	\$162
5138.xxx.PASS	Passage: 2 3/8" backset	\$405
5138.xxx.PRIV	Privacy: 2 3/8" backset	

NOTE: Compatible with 1 3/8" and 1 3/4" thick doors.
 QUICKSHIP PASS and PRIV sets shipped after 2/1/2025 include a 2 3/8" and 2 3/4" adjustable backset latch, full lip strike, t-strike, universal dust box, and pre-bore adaptor.
 QUICKSHIP LEGACY PASS and PRIV functions include a 2 3/8" backset latch and a full lip strike.

5141 Lever

Pre-Configured w/ R033 Rose



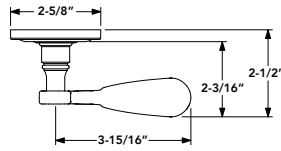
Finish: 003, 031, 033, 044, 055, 056, 076, 102, 112, 190, 260

Item #	Description	Price
5141.xxx.FD	Full Dummy	\$324
5141.xxx.RDM (.LDM)	Right (Left) Hand Half Dummy	\$162
5141.xxx.PASS	Passage: 2 3/8" backset	\$405
5141.xxx.PRIV	Privacy: 2 3/8" backset	

NOTE: Compatible with 1 3/8" and 1 3/4" thick doors.
 QUICKSHIP PASS and PRIV sets shipped after 2/1/2025 include a 2 3/8" and 2 3/4" adjustable backset latch, full lip strike, t-strike, universal dust box, and pre-bore adaptor.
 QUICKSHIP LEGACY PASS and PRIV functions include a 2 3/8" backset latch and a full lip strike.

5152 Lever

Pre-Configured w/ R048 Rose



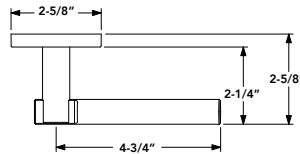
Finish: 003, 031, 033, 044, 055, 056, 076, 102, 112, 190, 260

Item #	Description	Price
5152.xxx.FD	Full Dummy	\$324
5152.xxx.RDM (.LDM)	Right (Left) Hand Half Dummy	\$162
5152.xxx.PASS	Passage: 2 3/8" backset	\$405
5152.xxx.PRIV	Privacy: 2 3/8" backset	

NOTE: Compatible with 1 3/8" and 1 3/4" thick doors. QUICKSHIP PASS and PRIV sets shipped after 2/1/2025 include a 2 3/8" and 2 3/4" adjustable backset latch, full lip strike, t-strike, universal dust box, and pre-bore adaptor. QUICKSHIP LEGACY PASS and PRIV functions include a 2 3/8" backset latch and a full lip strike.

5161 Lever

Pre-Configured w/ 5046 Rose



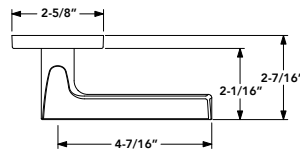
Finish: 044, 055, 056, 076, 102, 112, 190, 260

Item #	Description	Price
5161.xxx.FD	Full Dummy	\$324
5161.xxx.RDM (.LDM)	Right (Left) Hand Half Dummy	\$162
5161.xxx.PASS	Passage: 2 3/8" backset	\$405
5161.xxx.PRIV	Privacy: 2 3/8" backset	

NOTE: Compatible with 1 3/8" and 1 3/4" thick doors. QUICKSHIP PASS and PRIV sets shipped after 2/1/2025 include a 2 3/8" and 2 3/4" adjustable backset latch, full lip strike, t-strike, universal dust box, and pre-bore adaptor. QUICKSHIP LEGACY PASS and PRIV functions include a 2 3/8" backset latch and a full lip strike.

5162 Minneapolis Lever

Pre-Configured w/ R017 Rose



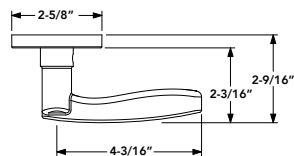
Finish: 044, 055, 056, 076, 102, 112, 190, 260

Item #	Description	Price
5162.xxx.FD	Full Dummy	\$324
5162.xxx.RDM (.LDM)	Right (Left) Hand Half Dummy	\$162
5162.xxx.PASS	Passage: 2 3/8" backset	\$405
5162.xxx.PRIV	Privacy: 2 3/8" backset	

NOTE: Compatible with 1 3/8" and 1 3/4" thick doors. QUICKSHIP PASS and PRIV sets shipped after 2/1/2025 include a 2 3/8" and 2 3/4" adjustable backset latch, full lip strike, t-strike, universal dust box, and pre-bore adaptor. QUICKSHIP LEGACY PASS and PRIV functions include a 2 3/8" backset latch and a full lip strike.

5164 Houston Lever

Pre-Configured w/ R046 Rose



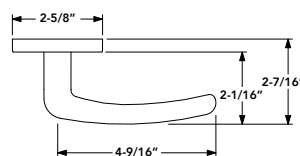
Finish: 044, 055, 056, 076, 102, 112, 190, 260

Item #	Description	Price
5164.xxx.FD	Full Dummy	\$324
5164.xxx.RDM (.LDM)	Right (Left) Hand Half Dummy	\$162
5164.xxx.PASS	Passage: 2 3/8" backset	\$405
5164.xxx.PRIV	Privacy: 2 3/8" backset	

NOTE: Compatible with 1 3/8" and 1 3/4" thick doors. QUICKSHIP PASS and PRIV sets shipped after 2/1/2025 include a 2 3/8" and 2 3/4" adjustable backset latch, full lip strike, t-strike, universal dust box, and pre-bore adaptor. QUICKSHIP LEGACY PASS and PRIV functions include a 2 3/8" backset latch and a full lip strike.

5165 Lever

Pre-Configured w/ 5046 Rose



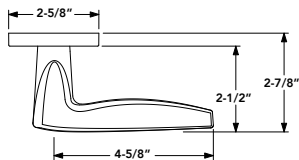
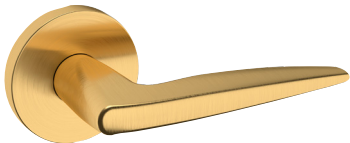
Finish: 044, 055, 056, 076, 102, 112, 190, 260

Item #	Description	Price
5165.xxx.FD	Full Dummy	\$324
5165.xxx.RDM (.LDM)	Right (Left) Hand Half Dummy	\$162
5165.xxx.PASS	Passage: 2 3/8" backset	\$405
5165.xxx.PRIV	Privacy: 2 3/8" backset	

NOTE: Compatible with 1 3/8" and 1 3/4" thick doors. QUICKSHIP PASS and PRIV sets shipped after 2/1/2025 include a 2 3/8" and 2 3/4" adjustable backset latch, full lip strike, t-strike, universal dust box, and pre-bore adaptor. QUICKSHIP LEGACY PASS and PRIV functions include a 2 3/8" backset latch and a full lip strike.

5166 Lever

Pre-Configured w/ 5046 Rose



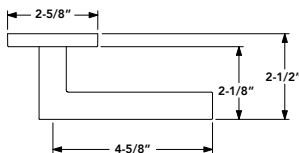
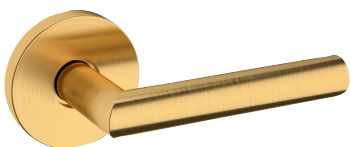
Finish: 044, 055, 056, 076, 102, 112, 190, 260

Item #	Description	Price
5166.xxx.FD	Full Dummy	\$324
5166.xxx.RDM (LDM)	Right (Left) Hand Half Dummy	\$162
5166.xxx.PASS	Passage: 2 3/8" backset	\$405
5166.xxx.PRIV	Privacy: 2 3/8" backset	

NOTE: Compatible with 1 3/8" and 1 3/4" thick doors.
QUICKSHIP PASS and PRIV sets shipped after 2/1/2025 include a 2 3/8" and 2 3/4" adjustable backset latch, full lip strike, t-strike, universal dust box, and pre-bore adaptor.
QUICKSHIP LEGACY PASS and PRIV functions include a 2 3/8" backset latch and a full lip strike.

5173 Lever

Pre-Configured w/ 5046 Rose



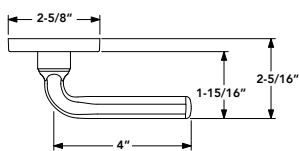
Finish: 044, 055, 056, 076, 102, 112, 190, 260

Item #	Description	Price
5173.xxx.FD	Full Dummy	\$324
5173.xxx.RDM (LDM)	Right (Left) Hand Half Dummy	\$162
5173.xxx.PASS	Passage: 2 3/8" backset	\$405
5173.xxx.PRIV	Privacy: 2 3/8" backset	

NOTE: Compatible with 1 3/8" and 1 3/4" thick doors.
QUICKSHIP PASS and PRIV sets shipped after 2/1/2025 include a 2 3/8" and 2 3/4" adjustable backset latch, full lip strike, t-strike, universal dust box, and pre-bore adaptor.
QUICKSHIP LEGACY PASS and PRIV functions include a 2 3/8" backset latch and a full lip strike.

5190 Lever

Pre-Configured w/ R017 Rose



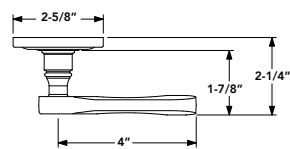
Finish: 003, 031, 033, 044, 055, 056, 076, 102, 112, 190, 260

Item #	Description	Price
5190.xxx.FD	Full Dummy	\$324
5190.xxx.RDM (LDM)	Right (Left) Hand Half Dummy	\$162
5190.xxx.PASS	Passage: 2 3/8" backset	\$405
5190.xxx.PRIV	Privacy: 2 3/8" backset	

NOTE: Compatible with 1 3/8" and 1 3/4" thick doors.
QUICKSHIP PASS and PRIV sets shipped after 2/1/2025 include a 2 3/8" and 2 3/4" adjustable backset latch, full lip strike, t-strike, universal dust box, and pre-bore adaptor.
QUICKSHIP LEGACY PASS and PRIV functions include a 2 3/8" backset latch and a full lip strike.

5445V Classic Lever

Pre-Configured w/ 5048 Rose



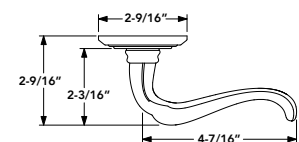
Finish: 003, 031, 033, 044, 055, 056, 076, 102, 112, 190, 260

Item #	Description	Price
5445V.xxx.FD	Full Dummy	\$274
5445V.xxx.RDM (LDM)	Right (Left) Hand Half Dummy	\$137
5445V.xxx.PASS	Passage: 2 3/8" backset	\$343
5445V.xxx.PRIV	Privacy: 2 3/8" backset	

NOTE: Compatible with 1 3/8" and 1 3/4" thick doors.
QUICKSHIP PASS and PRIV sets shipped after 2/1/2025 include a 2 3/8" and 2 3/4" adjustable backset latch, full lip strike, t-strike, universal dust box, and pre-bore adaptor.
QUICKSHIP LEGACY PASS and PRIV functions include a 2 3/8" backset latch and a full lip strike.

5447V Bethpage Lever

Pre-Configured w/ R027 Rose



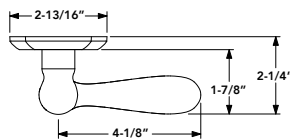
Finish: 003, 031, 033, 044, 055, 056, 076, 102, 112, 190, 260

Item #	Description	Price
5447V.xxx.FD	Full Dummy	\$274
5447V.xxx.RDM (LDM)	Right (Left) Hand Half Dummy	\$137
5447V.xxx.PASS	Passage: 2 3/8" backset	\$343
5447V.xxx.PRIV	Privacy: 2 3/8" backset	

NOTE: Compatible with 1 3/8" and 1 3/4" thick doors.
QUICKSHIP PASS and PRIV sets shipped after 2/1/2025 include a 2 3/8" and 2 3/4" adjustable backset latch, full lip strike, t-strike, universal dust box, and pre-bore adaptor.
QUICKSHIP LEGACY PASS and PRIV functions include a 2 3/8" backset latch and a full lip strike.

5452V Beavertail Lever

Pre-Configured w/ R030 Rose



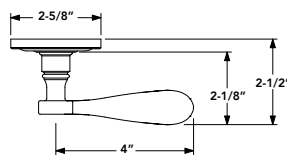
Finish: 102, 112, 190, 402

Item #	Description	Price
5452V.xxx.FD	Full Dummy	\$274
5452V.xxx.RDM (LDM)	Right (Left) Hand Half Dummy	\$137
5452V.xxx.PASS	Passage: 2 3/8" backset	\$343
5452V.xxx.PRIV	Privacy: 2 3/8" backset	

NOTE: Compatible with 1 3/8" and 1 3/4" thick doors. QUICKSHIP PASS and PRIV sets shipped after 2/1/2025 include a 2 3/8" and 2 3/4" adjustable backset latch, full lip strike, t-strike, universal dust box, and pre-bore adaptor. QUICKSHIP LEGACY PASS and PRIV functions include a 2 3/8" backset latch and a full lip strike.

5455V Wave Lever

Pre-Configured w/ 5048 Rose



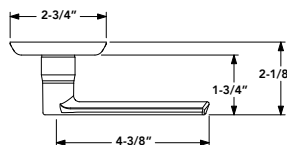
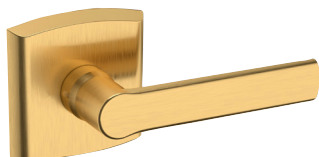
Finish: 003, 031, 033, 044, 055, 056, 076, 102, 112, 190, 260

Item #	Description	Price
5455V.xxx.FD	Full Dummy	\$274
5455V.xxx.RDM (LDM)	Right (Left) Hand Half Dummy	\$137
5455V.xxx.PASS	Passage: 2 3/8" backset	\$343
5455V.xxx.PRIV	Privacy: 2 3/8" backset	

NOTE: Compatible with 1 3/8" and 1 3/4" thick doors. QUICKSHIP PASS and PRIV sets shipped after 2/1/2025 include a 2 3/8" and 2 3/4" adjustable backset latch, full lip strike, t-strike, universal dust box, and pre-bore adaptor. QUICKSHIP LEGACY PASS and PRIV functions include a 2 3/8" backset latch and a full lip strike.

5485V Soho® Lever

Pre-Configured w/ R026 Rose



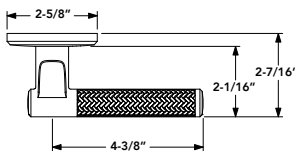
Finish: 044, 055, 056, 076, 102, 112, 190, 260

Item #	Description	Price
5485V.xxx.FD	Full Dummy	\$274
5485V.xxx.RDM (LDM)	Right (Left) Hand Half Dummy	\$137
5485V.xxx.PASS	Passage: 2 3/8" backset	\$343
5485V.xxx.PRIV	Privacy: 2 3/8" backset	

NOTE: Compatible with 1 3/8" and 1 3/4" thick doors. QUICKSHIP PASS and PRIV sets shipped after 2/1/2025 include a 2 3/8" and 2 3/4" adjustable backset latch, full lip strike, t-strike, universal dust box, and pre-bore adaptor. QUICKSHIP LEGACY PASS and PRIV functions include a 2 3/8" backset latch and a full lip strike.

L015 Lever

Pre-Configured w/ R016 Rose



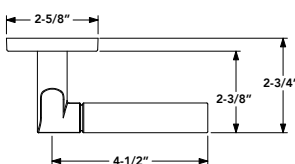
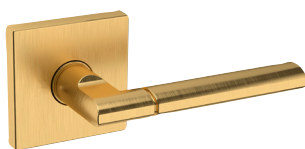
Finish: 044, 055, 056, 076, 102, 112, 190, 260

Item #	Description	Price
L015.xxx.FD	Full Dummy	\$346
L015.xxx.RDM (LDM)	Right (Left) Hand Half Dummy	\$173
L015.xxx.PASS	Passage: 2 3/8" backset	\$433
L015.xxx.PRIV	Privacy: 2 3/8" backset	

NOTE: Compatible with 1 3/8" and 1 3/4" thick doors. QUICKSHIP PASS and PRIV sets shipped after 2/1/2025 include a 2 3/8" and 2 3/4" adjustable backset latch, full lip strike, t-strike, universal dust box, and pre-bore adaptor. QUICKSHIP LEGACY PASS and PRIV functions include a 2 3/8" backset latch and a full lip strike.

L021 Lever w/ R017 Rose

Pre-Configured w/ R017 Rose



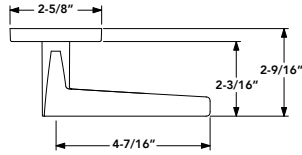
Finish: 044, 055, 056, 076, 102, 112, 190, 260

Item #	Description	Price
L021.xxx.FD	Full Dummy	\$324
L021.xxx.RDM (LDM)	Right (Left) Hand Half Dummy	\$162
L021.xxx.PASS	Passage: 2 3/8" backset	\$405
L021.xxx.PRIV	Privacy: 2 3/8" backset	

NOTE: Compatible with 1 3/8" and 1 3/4" thick doors. QUICKSHIP PASS and PRIV sets shipped after 2/1/2025 include a 2 3/8" and 2 3/4" adjustable backset latch, full lip strike, t-strike, universal dust box, and pre-bore adaptor. QUICKSHIP LEGACY PASS and PRIV functions include a 2 3/8" backset latch and a full lip strike.

L022 Lever w/ R017 Rose

Pre-Configured w/ R017 Rose



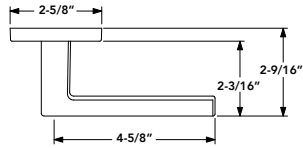
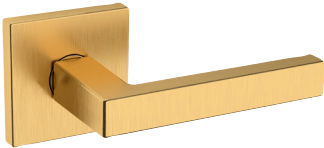
Finish: 044, 055, 056, 076, 102, 112, 190, 260

Item #	Description	Price
L022.xxx.FD	Full Dummy	\$324
L022.xxx.RDM	Right (Left) Hand Half Dummy	\$162
L022.xxx.PASS	Passage: 2 3/8" backset	\$405
L022.xxx.PRIV	Privacy: 2 3/8" backset	

NOTE: Compatible with 1 3/8" and 1 3/4" thick doors.
 QUICKSHIP PASS and PRIV sets shipped after 2/1/2025 include a 2 3/8" and 2 3/4" adjustable backset latch, full lip strike, t-strike, universal dust box, and pre-bore adaptor.
 QUICKSHIP LEGACY PASS and PRIV functions include a 2 3/8" backset latch and a full lip strike.

L023 Lever w/ R017 Rose

Pre-Configured w/ R017 Rose



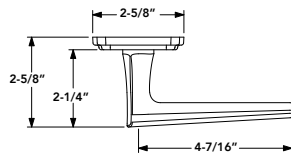
Finish: 044, 055, 056, 076, 102, 112, 190, 260

Item #	Description	Price
L023.xxx.FD	Full Dummy	\$346
L023.xxx.RDM (.LDM)	Right (Left) Hand Half Dummy	\$173
L023.xxx.PASS	Passage: 2 3/8" backset	\$433
L023.xxx.PRIV	Privacy: 2 3/8" backset	

NOTE: Compatible with 1 3/8" and 1 3/4" thick doors.
 QUICKSHIP PASS and PRIV sets shipped after 2/1/2025 include a 2 3/8" and 2 3/4" adjustable backset latch, full lip strike, t-strike, universal dust box, and pre-bore adaptor.
 QUICKSHIP LEGACY PASS and PRIV functions include a 2 3/8" backset latch and a full lip strike.

L024 Palm Springs Lever

Pre-Configured w/ R046 Rose



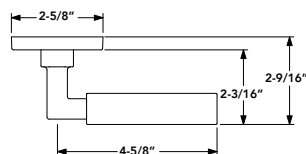
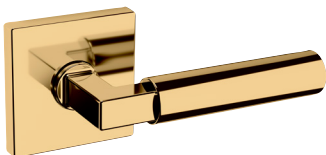
Finish: 003, 031, 033, 044, 055, 056, 076, 102, 112, 190, 260

Item #	Description	Price
L024.xxx.FD	Full Dummy	\$346
L024.xxx.RDM (.LDM)	Right (Left) Hand Half Dummy	\$173
L024.xxx.PASS	Passage: 2 3/8" backset	\$433
L024.xxx.PRIV	Privacy: 2 3/8" backset	

NOTE: Compatible with 1 3/8" and 1 3/4" thick doors.
 QUICKSHIP PASS and PRIV sets shipped after 2/1/2025 include a 2 3/8" and 2 3/4" adjustable backset latch, full lip strike, t-strike, universal dust box, and pre-bore adaptor.
 QUICKSHIP LEGACY PASS and PRIV functions include a 2 3/8" backset latch and a full lip strike.

L029 Gramercy Lever

Pre-Configured w/ R017 Rose



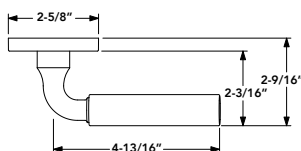
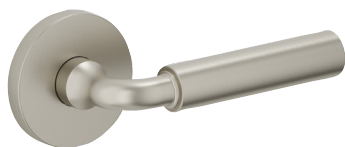
Finish: 003, 031, 033, 044, 055, 056, 076, 102, 112, 190, 260

Item #	Description	Price
L029.xxx.FD	Full Dummy	\$346
L029.xxx.RDM (.LDM)	RIGHT Hand Half Dummy	\$173
L029.xxx.PASS	Passage: 2 3/8" backset	\$433
L029.xxx.PRIV	Privacy: 2 3/8" backset	

NOTE: Compatible with 1 3/8" and 1 3/4" thick doors.
 QUICKSHIP PASS and PRIV sets shipped after 2/1/2025 include a 2 3/8" and 2 3/4" adjustable backset latch, full lip strike, t-strike, universal dust box, and pre-bore adaptor.
 QUICKSHIP LEGACY PASS and PRIV functions include a 2 3/8" backset latch and a full lip strike.

L031 Gramercy Curved Lever

Pre-Configured w/ 5046 Rose



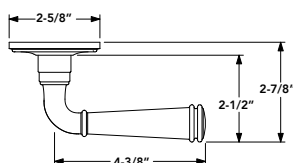
Finish: 003, 031, 033, 044, 055, 056, 076, 102, 112, 190, 260

Item #	Description	Price
L031.xxx.FD	Full Dummy	\$346
L031.xxx.RDM (.LDM)	Right (Left) Hand Half Dummy	\$173
L031.xxx.PASS	Passage: 2 3/8" backset	\$433
L031.xxx.PRIV	Privacy: 2 3/8" backset	

NOTE: Compatible with 1 3/8" and 1 3/4" thick doors.
 QUICKSHIP PASS and PRIV sets shipped after 2/1/2025 include a 2 3/8" and 2 3/4" adjustable backset latch, full lip strike, t-strike, universal dust box, and pre-bore adaptor.
 QUICKSHIP LEGACY PASS and PRIV functions include a 2 3/8" backset latch and a full lip strike.

L033 Briarcrest Lever

Pre-Configured w/ 5070 Rose



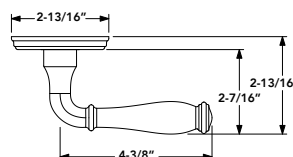
Finish: 003, 031, 033, 044, 055, 056, 076, 102, 112, 190, 260

Item #	Description	Price
L033.xxx.FD	Full Dummy	\$346
L033.xxx.RDM (.LDM)	Right (Left) Hand Half Dummy	\$173
L033.xxx.PASS	Passage: 2 3/8" backset	\$433
L033.xxx.PRIV	Privacy: 2 3/8" backset	

NOTE: Compatible with 1 3/8" and 1 3/4" thick doors.
 QUICKSHIP PASS and PRIV sets shipped after 2/1/2025 include a 2 3/8" and 2 3/4" adjustable backset latch, full lip strike, t-strike, universal dust box, and pre-bore adaptor.
 QUICKSHIP LEGACY PASS and PRIV functions include a 2 3/8" backset latch and a full lip strike.

L034 Nashville Lever

Pre-Configured w/ 5078 Rose



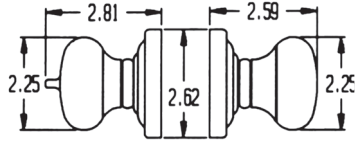
Finish: 003, 031, 033, 044, 055, 056, 076, 102, 112, 190, 260

Item #	Description	Price
L034.xxx.FD	Full Dummy	\$346
L034.xxx.RDM (.LDM)	Right (Left) Hand Half Dummy	\$173
L034.xxx.PASS	Passage: 2 3/8" backset	\$433
L034.xxx.PRIV	Privacy: 2 3/8" backset	

NOTE: Compatible with 1 3/8" and 1 3/4" thick doors.
 QUICKSHIP PASS and PRIV sets shipped after 2/1/2025 include a 2 3/8" and 2 3/4" adjustable backset latch, full lip strike, t-strike, universal dust box, and pre-bore adaptor.
 QUICKSHIP LEGACY PASS and PRIV functions include a 2 3/8" backset latch and a full lip strike.

5205 Classic Keyed Knob

Pre-Configured w/ Classic Rose



5 pin standard

Finish: 003, 031, 033, 044, 055, 056, 076, 102, 112, 190, 260

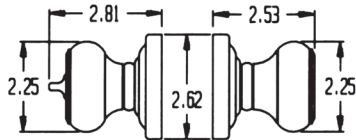
Item #	Description	Wt.	Price
5205.xxx.ENTR	Emergency Exit	3.1	\$354

NOTE: Compatible with 1 3/8" and 1 3/4" thick doors.
See T-Strike options on page 66.

Comes with Adjustable Backset Latch

5210 Colonial Keyed Knob

Pre-Configured w/ R030 Rose



5 pin standard

Finish: 003, 031, 033, 044, 055, 056, 076, 102, 112, 190, 260

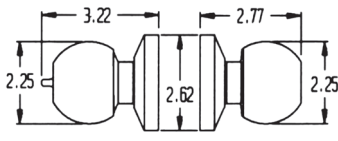
Item #	Description	Wt.	Price
5210.xxx.ENTR	Emergency Exit	3.1	\$354

NOTE: Compatible with 1 3/8" and 1 3/4" thick doors.
See T-Strike options on page 66.

Comes with Adjustable Backset Latch

5215 Modern Keyed Knob

Pre-Configured w/ Contemporary Rose



5 pin standard

Finish: 003, 031, 033, 044, 055, 056, 076, 102, 112, 190, 260

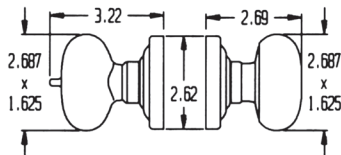
Item #	Description	Wt.	Price
5215.xxx.ENTR	Emergency Exit	3.4	\$354

NOTE: Compatible with 1 3/8" and 1 3/4" thick doors.
See T-Strike options on page 66.

Comes with Adjustable Backset Latch

5225 Egg Keyed Knob

Pre-Configured w/ Classic Rose



5 pin standard

Finish: 003, 031, 033, 044, 055, 056, 076, 102, 112, 190, 260

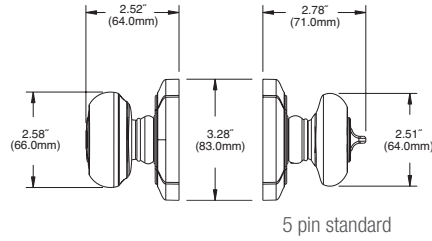
Item #	Description	Wt.	Price
5225.xxx.ENTR	Emergency Exit	3.6	\$354

NOTE: Compatible with 1 3/8" and 1 3/4" thick doors.
See T-Strike options on page 66.

Comes with Adjustable Backset Latch

5237 Bethpage Keyed Knob

Pre-Configured w/ Classic Rose



Finish: 003, 031, 033, 044, 055, 056, 076, 102, 112, 190, 260

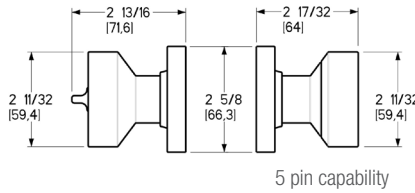
Item #	Description	Wt.	Price
5237.xxx.ENTR	Emergency Exit	3.6	\$354

NOTE: Compatible with 1 3/8" and 1 3/4" thick doors.
See T-Strike options on page 66.

Comes with Adjustable Backset Latch

5230 Minneapolis Keyed Knob

Pre-Configured w/ Round Rose



Finish: 044, 055, 056, 076, 102, 112, 190, 260

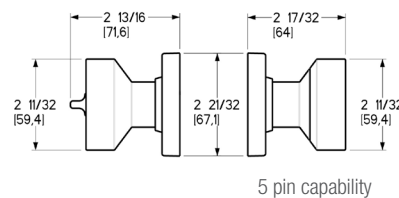
Item #	Description	Wt.	Price
5230.xxx.ENTR	Emergency Exit	3.6	\$354

NOTE: Compatible with 1 3/8" and 1 3/4" thick doors.
See T-Strike options on page 66.

Comes with Adjustable Backset Latch

5250 Minneapolis Keyed Knob

Pre-Configured w/ Square Rose



Finish: 044, 055, 056, 076, 102, 112, 190, 260

Item #	Description	Wt.	Price
5250.xxx.ENTR	Emergency Exit	4.3	\$354

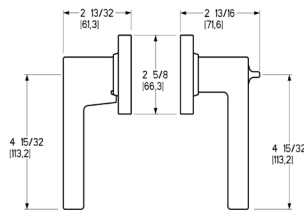
NOTE: Compatible with 1 3/8" and 1 3/4" thick doors.
See T-Strike options on page 66.

Comes with Adjustable Backset Latch

TUBULAR KEYED ENTRY

5260 Minneapolis Keyed Lever

Pre-Configured w/ Round Rose



5 pin capability
6 pin capability

Finish: 044, 055, 056, 076, 102, 112, 190, 260

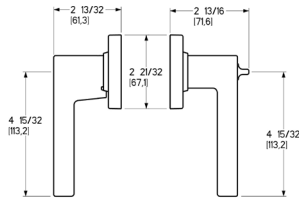
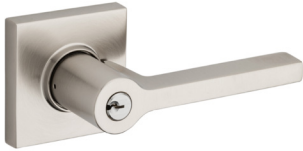
Item #	Description	Wt.	Price
5260.xxx.RENT	RIGHT Hand Emergency Exit	3.6	\$354
5260.xxx.LENT	LEFT Hand Emergency Exit	3.6	\$354

NOTE: Compatible with 1 3/8" and 1 3/4" thick doors.
See T-Strike options on page 66.

Comes with Adjustable Backset Latch

5285 Minneapolis Keyed Lever

Pre-Configured w/ Square Rose



5 pin capability
6 pin capability

Finish: 044, 055, 056, 076, 102, 112, 190, 260

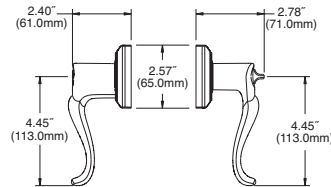
Item #	Description	Wt.	Price
5285.xxx.RENT	RIGHT Hand Emergency Exit	3.7	\$354
5285.xxx.LENT	LEFT Hand Emergency Exit	3.7	\$354

NOTE: Compatible with 1 3/8" and 1 3/4" thick doors.
See T-Strike options on page 66.

Comes with Adjustable Backset Latch

5237 Bethpage Keyed Lever

Pre-Configured w/ Bethpage Rose



5 pin standard

Finish: 003, 031, 033, 044, 055, 056, 076, 102, 112, 190, 260

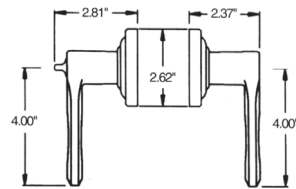
Item #	Description	Wt.	Price
5245.xxx.RENT	RIGHT Hand Emergency Exit	2.2	\$354
5245.xxx.LENT	LEFT Hand Emergency Exit	2.2	\$354

NOTE: Compatible with 1 3/8" and 1 3/4" thick doors.
See T-Strike options on page 66.

Comes with Adjustable Backset Latch

5245 Classic Keyed Lever

Pre-Configured w/ Classic Rose



5 pin standard

Finish: 003, 031, 033, 044, 055, 056, 076, 102, 112, 190, 260

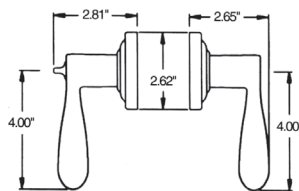
Item #	Description	Wt.	Price
5237.xxx.RENT	RIGHT Hand Emergency Exit	3.9	\$354
5237.xxx.LENT	LEFT Hand Emergency Exit	3.9	\$354

NOTE: Compatible with 1 3/8" and 1 3/4" thick doors.
See T-Strike options on page 66.

Comes with Adjustable Backset Latch

5255 Wave Keyed Lever

Pre-Configured w/ Classic Rose



5 pin standard

Finish: 003, 031, 033, 044, 055, 056, 076, 102, 112, 190, 260

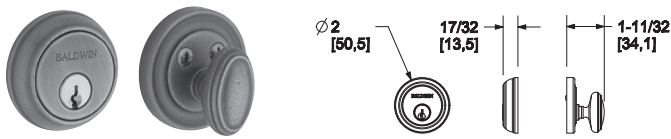
Item #	Description	Wt.	Price
5255.xxx.RENT	RIGHT Hand Emergency Exit	2.8	\$354
5255.xxx.LENT	LEFT Hand Emergency Exit	2.8	\$354

NOTE: Compatible with 1 3/8" and 1 3/4" thick doors.
See T-Strike options on page 66.

Comes with Adjustable Backset Latch

Emergency Exit: The Knob or lever will retract the bolt while the exterior remains locked.

8031 Traditional Deadbolt – 1 5/8" Door Prep



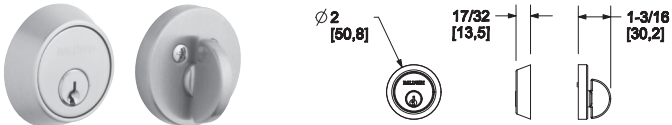
Finish: 003, 031, 033, 044, 055, 056, 076, 102, 112, 190, 260

Item #	Description	Wt.	Price
8031.xxx	Single cylinder deadbolt	1.8	\$156

*QuickShip deadbolts are for 1.75" thick doors
**See thick door kits on page 61

Comes with Adjustable Backset Latch

8041 Contemporary Deadbolt – 1 5/8" Door Prep



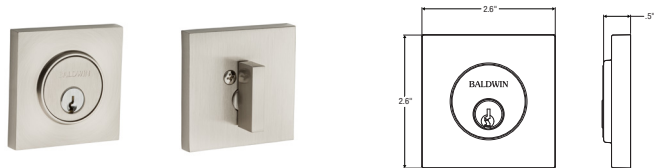
Finish: 044, 055, 056, 076, 102, 112, 190, 260

Item #	Description	Wt.	Price
8041.xxx	Single cylinder deadbolt	1.7	\$156

*QuickShip deadbolts are for 1.75" thick doors
**See thick door kits on page 61

Comes with Adjustable Backset Latch

8220 Contemporary Deadbolt – 2 1/8" Door Prep



Finish: 003, 031, 044, 055, 056, 076, 102, 112, 190, 260

Item #	Description	Wt.	Price
8220.xxx	Single cylinder deadbolt	1.7	\$196

*QuickShip deadbolts are for 1.75" thick doors
**See thick door kits on page 61

Comes with Adjustable Backset Latch

8231 Traditional Deadbolt – 2 1/8" Door Prep



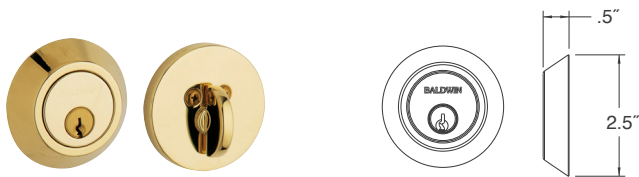
Finish: 003, 031, 033, 044, 055, 056, 076, 102, 112, 190, 260

Item #	Description	Wt.	Price
8231.xxx	Single cylinder deadbolt	2.2	\$156

*QuickShip deadbolts are for 1.75" thick doors
**See thick door kits on page 61

Comes with Adjustable Backset Latch

8241 Contemporary Deadbolt – 2 1/8" Door Prep



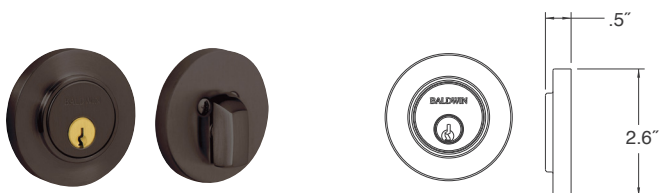
Finish: 003, 031, 044, 055, 056, 076, 102, 112, 190, 260

Item #	Description	Wt.	Price
8241.xxx	Single cylinder deadbolt	2.1	\$156

*QuickShip deadbolts are for 1.75" thick doors
**See thick door kits on page 61

Comes with Adjustable Backset Latch

8244 Contemporary Deadbolt – 2 1/8" Door Prep



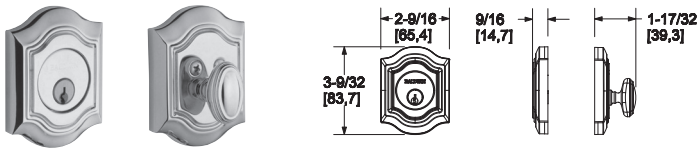
Finish: 003, 031, 044, 055, 056, 076, 102, 112, 190, 260

Item #	Description	Wt.	Price
8244.xxx	Single cylinder deadbolt	2.1	\$196

*QuickShip deadbolts are for 1.75" thick doors
**See thick door kits on page 61

Comes with Adjustable Backset Latch

8237 Bethpage Adjustable Deadbolt – 2 1/8" Door Prep



Finish: 003, 031, 033, 044, 055, 056, 076, 102, 112, 190, 260

Item #	Description	Wt.	Price
8237.xxx	Single cylinder deadbolt	2.1	\$196

*QuickShip deadbolts are for 1.75" thick doors
**See thick door kits on page 61

Comes with Adjustable Backset Latch

8252 Arched Deadbolt – 2 1/8" Door Prep



Finish: 003, 031, 033, 044, 055, 056, 076, 102, 112, 190, 260

Item #	Description	Wt.	Price
8252.xxx	Single cylinder deadbolt	2.0	\$196

*QuickShip deadbolts are for 1.75" thick doors
**See thick door kits on page 61

Comes with Adjustable Backset Latch

8254 Squared Deadbolt – 2 1/8" Door Prep



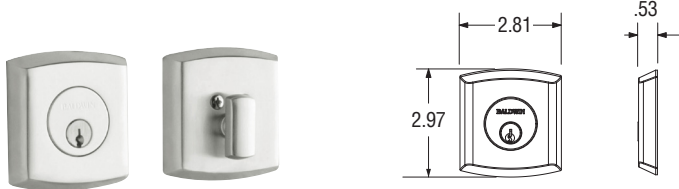
Finish: 003, 031, 033, 044, 055, 056, 076, 102, 112, 190

Item #	Description	Wt.	Price
8254.xxx	Single cylinder deadbolt	2.0	\$196

*QuickShip deadbolts are for 1.75" thick doors
**See thick door kits on page 61

Comes with Adjustable Backset Latch

8285 SOHO Deadbolt – 2 1/8" Door Prep



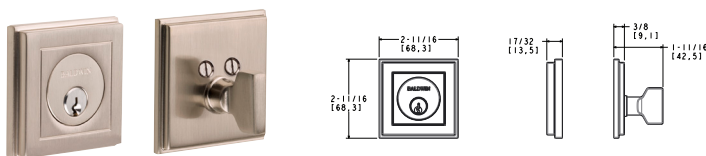
Finish: 003, 031, 044, 055, 056, 076, 102, 112, 190

Item #	Description	Wt.	Price
8285.xxx	Single cylinder deadbolt	2.2	\$196

*QuickShip deadbolts are for 1.75" thick doors
**See thick door kits on page 61

Comes with Adjustable Backset Latch

8260 Hollywood Hills Deadbolt – 2 1/8" Door Prep



Finish: 003, 031, 033, 044, 055, 056, 076, 102, 112, 190, 260

Item #	Description	Wt.	Price
8260.xxx	Single cylinder deadbolt	2.2	\$196

*QuickShip deadbolts are for 1.75" thick doors
**See thick door kits on page 61

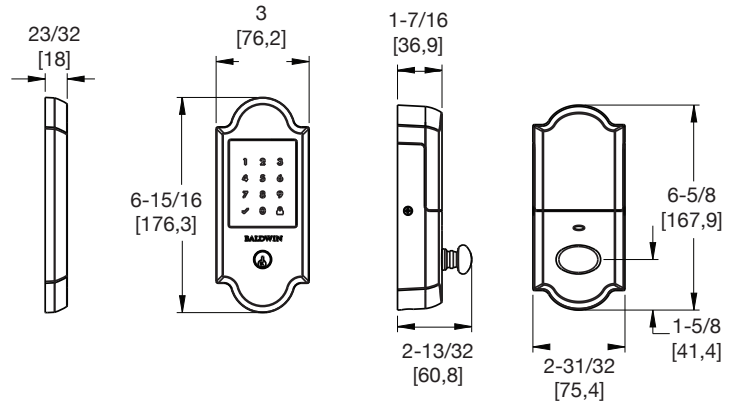
Comes with Adjustable Backset Latch

Boulder™ Touchscreen Deadbolt



Finish: 003, 044, 056, 076, 102, 112, 190, 402

Item #	Description	Wt.	Price
8235.xxx	Touchscreen Deadbolt Standalone	4.6	\$567
8235.xxx.ZW	Touchscreen Deadbolt with Z-Wave	4.6	\$683

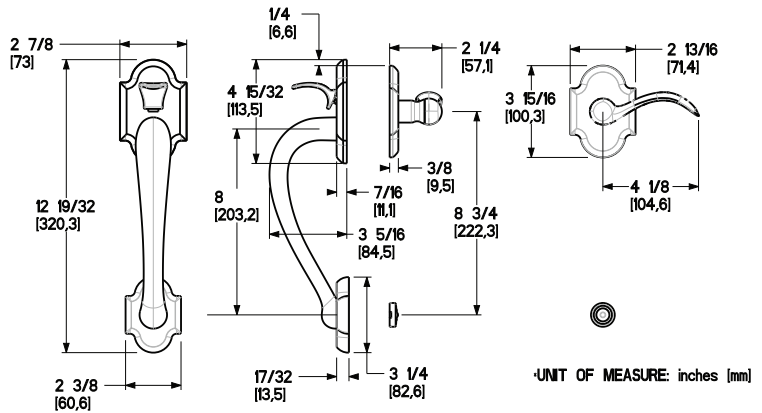


Boulder Handle Grip
w/ 5452V Beavertail Lever



Finish: 003, 044, 056, 076, 102, 112, 190, 402

Item #	Description	Wt.	Price
85353.xxx.ACRH	Sectional Entry Handleset Kit - LH Lever	4.2	\$468
85353.xxx.ACLH	Sectional Entry Handleset Kit - RH Lever	1.8	\$468

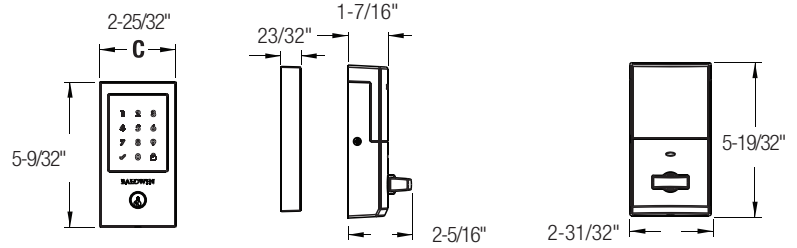


Minneapolis™ Touchscreen Deadbolt

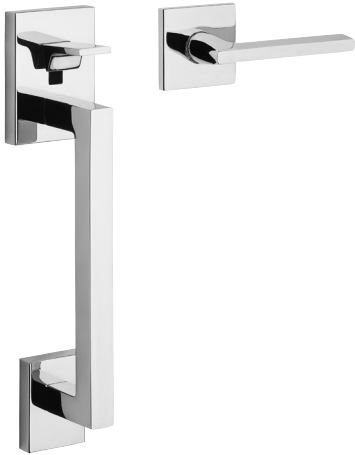


Finish: 044, 055, 056, 076, 102, 112, 190, 260

Item #	Description	Wt.	Price
8225.xxx	Touchscreen Deadbolt Standalone	4.4	\$567
8225.xxx.ZW	Touchscreen Deadbolt with Z-Wave	4.4	\$683

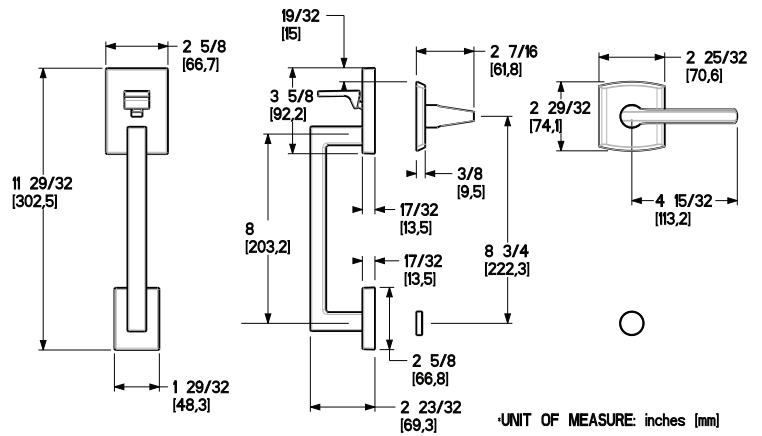


Minneapolis Handle Grip
w/ 5162 Lever



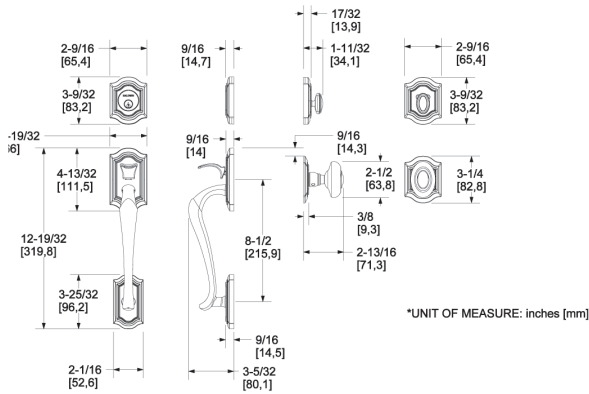
Finish: 044, 055, 056, 076, 102, 112, 190, 260

Item #	Description	Wt.	Price
85390.xxx.ACRH	Sectional Entry Handleset Kit - RH Leve	6.5	\$468
85390.xxx.ACLH	Sectional Entry Handleset Kit - LH Lever	6.5	\$468



Bethpage® Sectional Handleset

w/ 5077 Bethpage Knob



Finish: 003, 031, 033, 044, 055, 056, 076, 102, 112, 190, 260

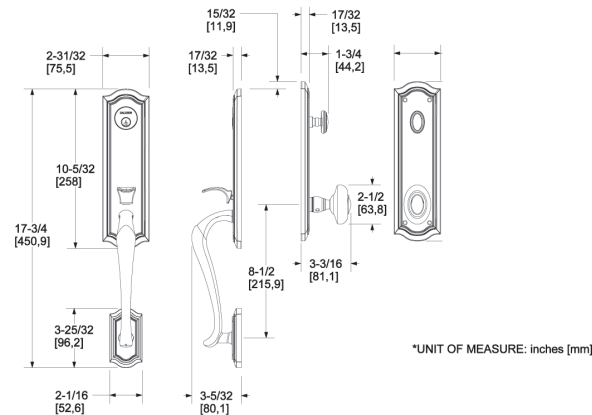
Item #	Description	Wt.	Price
85327.xxx.ENTR	Single cylinder handleset with interior knob	5.8	\$609



Comes with Adjustable Backset Latch

Bethpage® Emergency Egress Handleset

w/ 5077 Bethpage Knob



Finish: 003, 031, 033, 044, 055, 056, 076, 102, 112, 190, 260

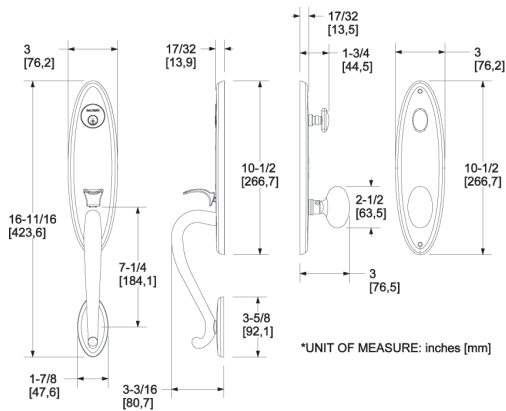
Item #	Description	Wt.	Price
85337.xxx.ENTR	Single cylinder handleset with interior knob, emergency egress	6.8	\$835



Comes with Adjustable Backset Latch

Blakely Emergency Egress Handleset

w/ 5025 Egg Knob



Finish: 003, 031, 033, 044, 055, 056, 076, 102, 112, 150, 190, 260

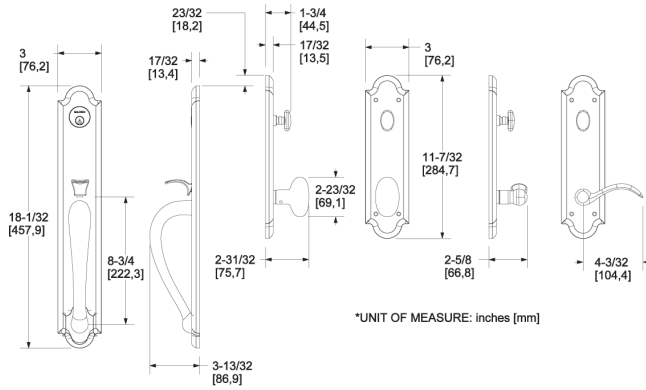
Item #	Description	Wt.	Price
85360.xxx.ENTR	Single cylinder handleset with interior knob	6.8	\$835



Comes with Adjustable Backset Latch

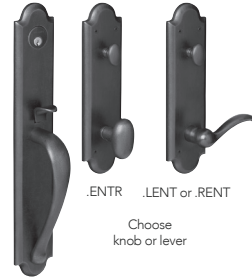
Boulder Full Escutcheon Handleset Emergency Egress

w/ 5024 Oval Knob or 5452V Beavertail Lever



Finish: 076, 102, 112, 190, 402

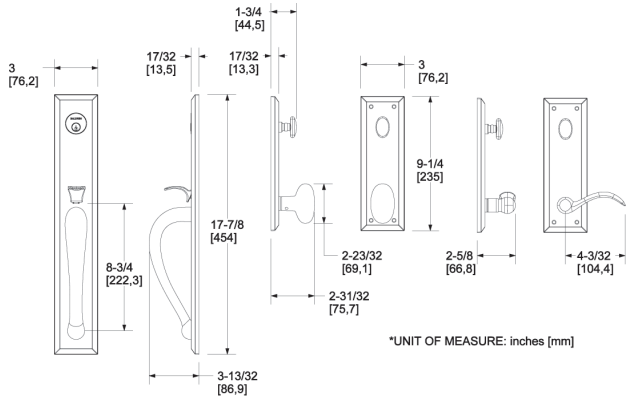
Item #	Description	Wt.	Price
6402.xxx.ENTR	Single cylinder handleset with interior knob, emergency egress		
6402.xxx.RENT	Single cylinder handleset w/ lever, emergency egress – RH Entry	9.2	\$945
6402.xxx.LENT	Single cylinder handleset w/ lever, emergency egress – LH Entry		



Comes with Adjustable Backset Latch

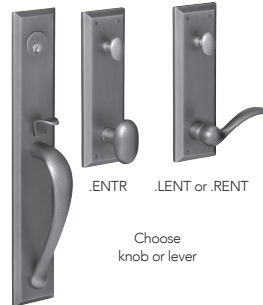
Cody Full Escutcheon Handleset Emergency Egress

w/ 5024 Oval Knob or 5452V Beavertail Lever



Finish: 076, 102, 112, 190, 402

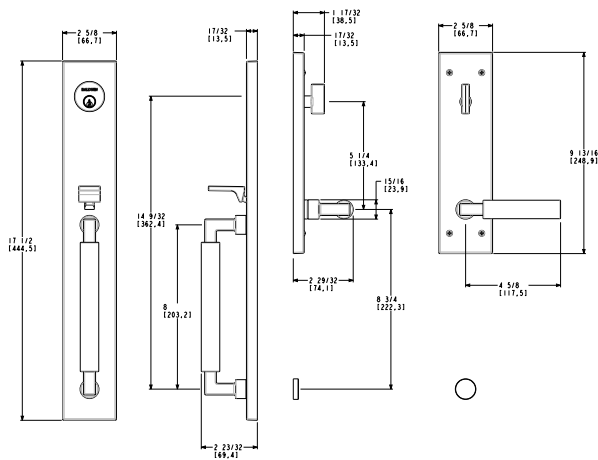
Item #	Description	Wt.	Price
6403.xxx.ENTR	Single cylinder handleset with interior knob, emergency egress		
6403.xxx.RENT	Single cylinder handleset w/ lever, emergency egress – RH Entry	9.2	\$945
6403.xxx.LENT	Single cylinder handleset w/ lever, emergency egress – LH Entry		



Comes with Adjustable Backset Latch

Gramercy Emergency Egress Tubular Handleset

With L029 Lever



Finish: 044, 055, 056, 076, 102, 112, 190, 260

Item #	Description	Wt.	Price
85316.xxx.RENT	Single cylinder handleset w/lever, emergency egress-RH Entry	14.1	\$1,010
85316.xxx.LENT	Single cylinder handleset w/lever, emergency egress-LH Entry	14.1	\$1,010

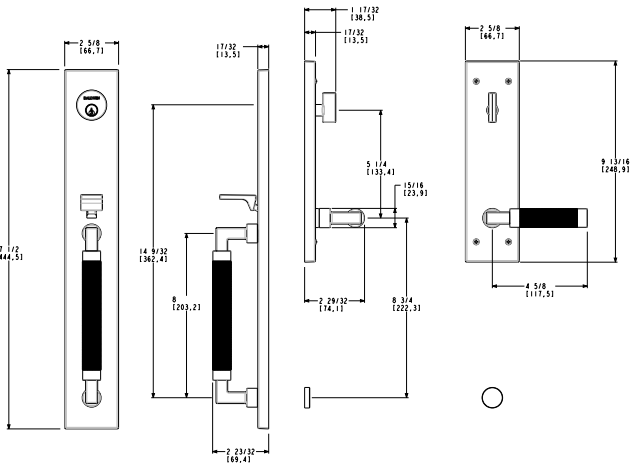


Comes with Adjustable Backset Latch

Gramercy Knurled Emergency Egress Tubular Handleset
With LQ30 Lever

Finish: 044, 055, 056, 076, 102, 112, 190, 260

Item #	Description	Wt.	Price
85317.xxx.RENT	Single cylinder handleset w/ lever, emergency egress – RH Entry	14.1	\$1,060
85317.xxx.LENT	Single cylinder handleset w/ lever, emergency egress – LH Entry	14.1	\$1,060

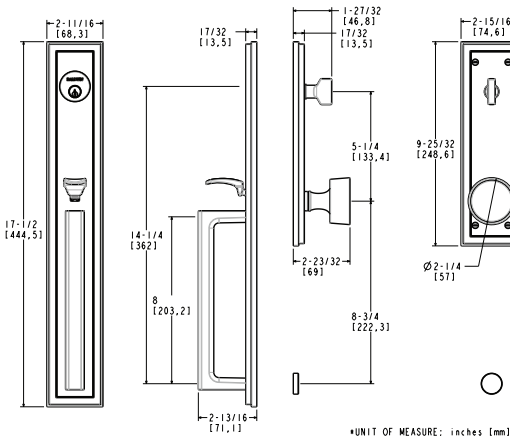


Comes with Adjustable Backset Latch

Hollywood Hills Full Escutcheon Handleset
Emergency Egress w/ K008 Knob

Finish: 003, 031, 033, 044, 055, 056, 076, 102, 112, 190, 260

Item #	Description	Wt.	Price
85311.xxx.ENTR	Single cylinder handleset with knob	7.3	\$1,010

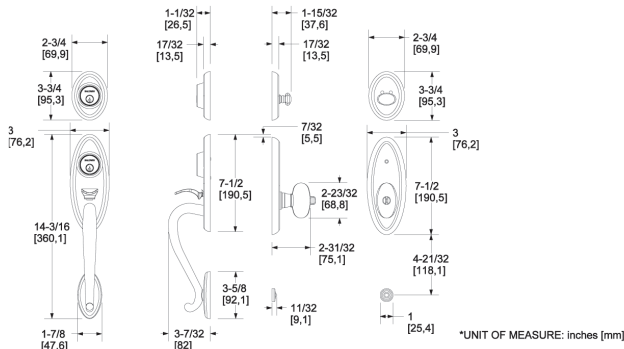


Comes with Adjustable Backset Latch

Landon® Two-Point Lock Handleset
w/ 5225 Egg Knob

Finish: 003, 031, 033, 044, 055, 056, 076, 102, 112, 190, 260

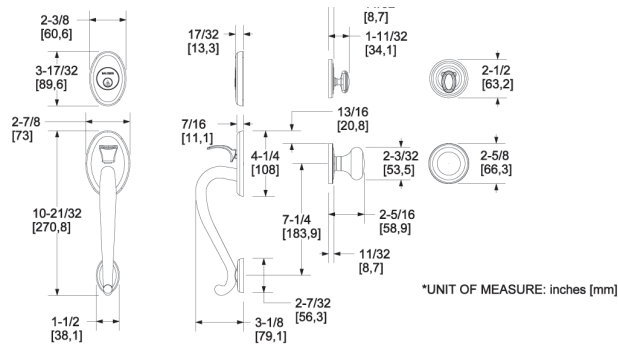
Item #	Description	Wt.	Price
85345.xxx.2ENT	Single cylinder handleset with interior knob	8.8	\$835



Comes with Adjustable Backset Latch

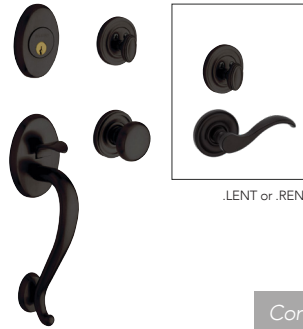
Logan Sectional Handleset

w/ 5015 Classic Knob or 5455V Waver Lever



Finish: 003, 031, 033, 044, 055, 056, 076, 102, 112, 190, 260

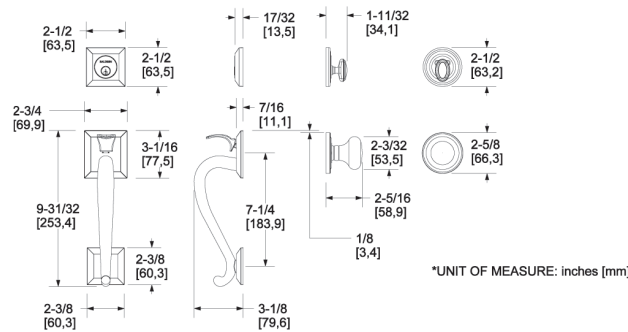
Item #	Description	Wt.	Price
85315.xxx.ENTR	Single cylinder handleset with interior knob	5.6	\$609
85315.xxx.RENT	Single cylinder handleset with lever - RH Entry	6.7	\$609
85315.xxx.LENT	Single cylinder handleset with lever - LH Entry		



Comes with Adjustable Backset Latch

Madison® Sectional Handleset

w/ 5015 Classic Knob



Finish: 003, 031, 033, 044, 055, 056, 076, 102, 112, 190, 260

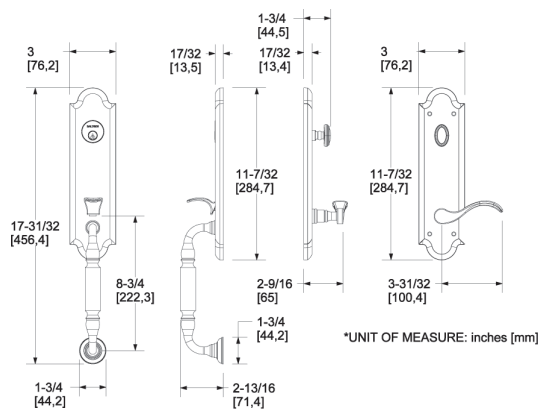
Item #	Description	Wt.	Price
85320.xxx.ENTR	Single cylinder handleset with interior knob	5.6	\$609



Comes with Adjustable Backset Latch

Manchester Emergency Egress Handleset

w/ 5455V Waver Lever



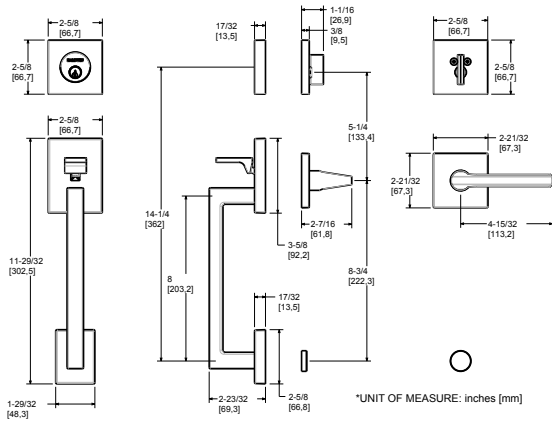
Finish: 003, 031, 033, 044, 055, 056, 076, 102, 112, 190, 260

Item #	Description	Wt.	Price
85350.xxx.RENT	Single cylinder handleset w/ lever, emergency egress - RH Entry	8.3	\$835
85350.xxx.LENT	Single cylinder handleset w/ lever, emergency egress - LH Entry		



Comes with Adjustable Backset Latch

Minneapolis® Sectional Handleset
w/ 5162 Lever



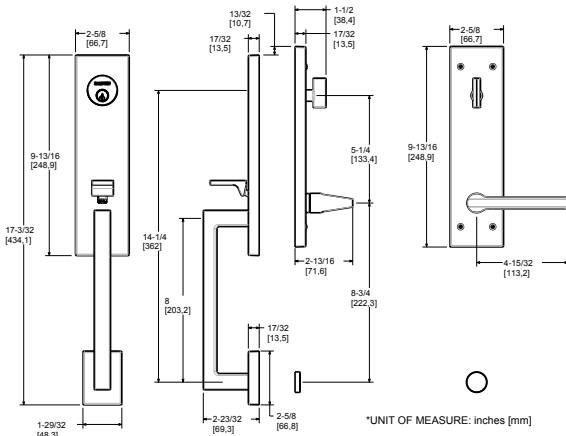
Finish: 044, 055, 056, 076, 102, 112, 190, 260

Item #	Description	Wt.	Price
85390.xxx.RENT	Single cylinder handleset with lever – RH Entry	6.8	\$664
85390.xxx.LENT	Single cylinder handleset with lever – LH Entry		



Comes with Adjustable Backset Latch

Minneapolis™ ¾ Escutcheon Handleset
Emergency Egress w/ 5162 Lever



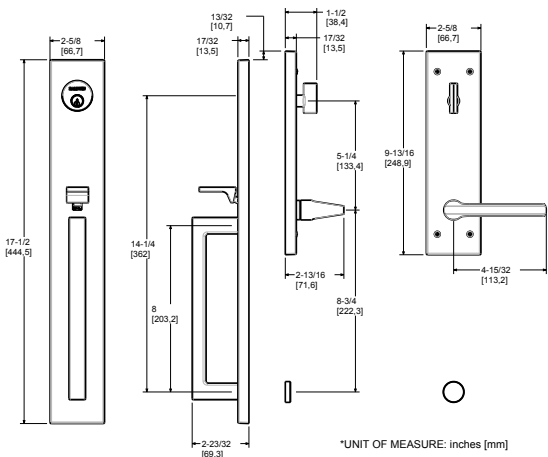
Finish: 044, 055, 056, 076, 102, 112, 190, 260

Item #	Description	Wt.	Price
85391.xxx.RENT	Single cylinder handleset w/ lever, emergency egress – RH Entry	7.3	\$835
85391.xxx.LENT	Single cylinder handleset w/ lever, emergency egress – LH Entry		



Comes with Adjustable Backset Latch

Minneapolis™ Full Escutcheon Handleset
Emergency Egress w/ 5162 Lever



Finish: 044, 055, 056, 076, 102, 112, 190, 260

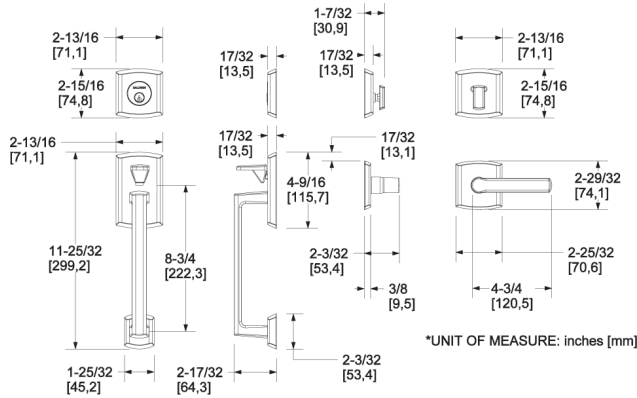
Item #	Description	Wt.	Price
85392.xxx.RENT	Single cylinder handleset w/ lever, emergency egress – RH Entry	9.2	\$945
85392.xxx.LENT	Single cylinder handleset w/ lever, emergency egress – LH Entry		



Comes with Adjustable Backset Latch

Soho® Sectional Handleset

w/ 5485V Soho Lever



Finish: 055, 056, 076, 102, 112, 190, 260

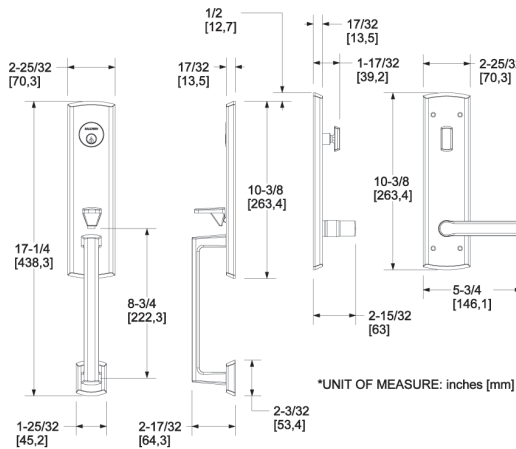
Item #	Description	Wt.	Price
85386.xxx.RENT	Single cylinder handlesetw/ Lever – RH Entry	6.8	\$609
85386.xxx.LENT	Single cylinder handlesetw/ Lever – LH Entry		



Comes with Adjustable Backset Latch

Soho® ¾ Escutcheon Handleset

Emergency Egress w/ 5485V Soho Lever



Finish: 044, 055, 056, 076, 102, 112, 190, 260

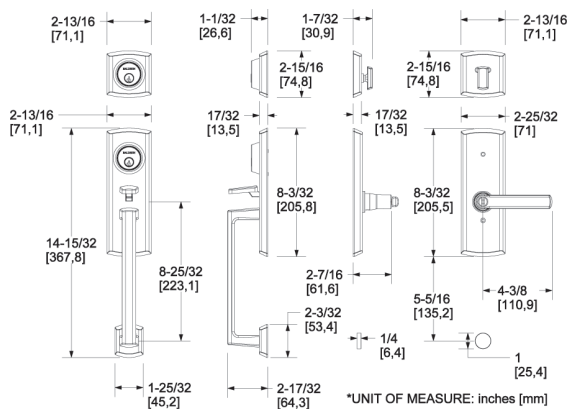
Item #	Description	Wt.	Price
85387.xxx.RENT	Single cylinder handlesetw/ Lever – RH Entry , Emergency Egress	7.8	\$835
85387.xxx.LENT	Single cylinder handlesetw/ Lever – LH Entry, Emergency Egress		



Comes with Adjustable Backset Latch

Soho® Two-Point Lock Handleset

w/ Soho Lever



Finish: 044, 055, 056, 076, 102, 112, 190, 260

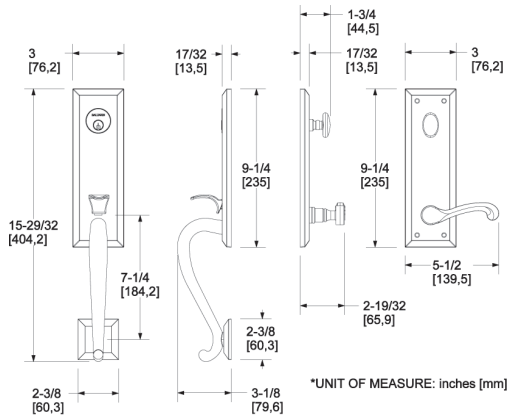
Item #	Description	Wt.	Price
85385.xxx.2RH	Single cylinder handleset with lever – RH Entry	9.7	\$835
85385.xxx.2LH	Single cylinder handleset with lever – LH Entry		



Comes with Adjustable Backset Latch

Stonegate Emergency Egress Handleset

w/ 5445V Classic Lever



Finish: 003, 031, 033, 044, 055, 056, 076, 102, 112, 190, 260

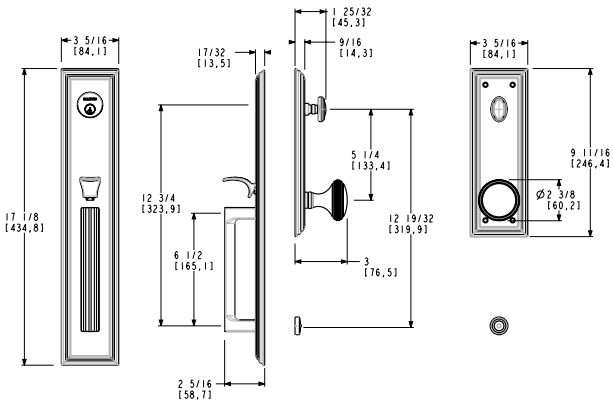
Item #	Description	Wt.	Price
85355.xxx.RENT	Single cylinder handleset w/ lever, emergency egress – RH Entry	8.1	\$835
85355.xxx.LENT	Single cylinder handleset w/ lever, emergency egress – LH Entry		



Comes with Adjustable Backset Latch

Tremont Full Escutcheon Handleset

Emergency Egress w/ 5069 Knob



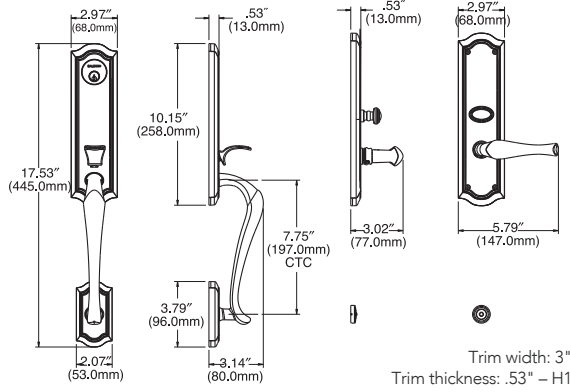
Finish: 003, 031, 033, 044, 055, 056, 076, 102, 112, 190, 260

Item #	Description	Wt.	Price
85342.xxx.ENTR	Single Cylinder handleset with knob	7.3	\$945



Comes with Adjustable Backset Latch

Bethpage 3/4 Escutcheon Handleset Trim



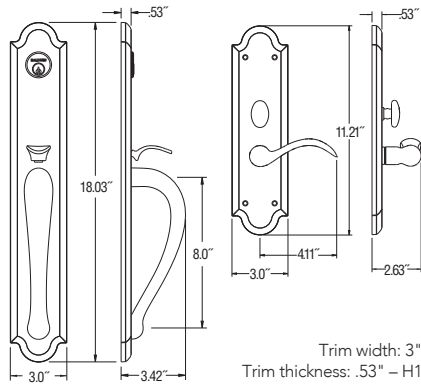
Finish: 003, 031, 033, 044, 055, 056, 076, 102, 112, 190, 260

Item #	Description	Wt.	Price
M522.xxx.ENTR	Entrance Trim – Knob	9.5	\$760
M522.xxx.RENT (LENT)	Entrance Trim – Lever		\$760



Requires additional components. See page 41 & 42 for details.

Boulder Full Escutcheon Handleset Trim



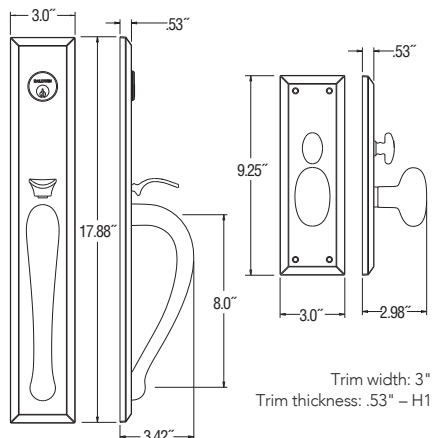
Finish: 076, 102, 112, 190, 402

Item #	Description	Wt.	Price
M514.xxx.ENTR	Entrance Trim – Knob	9.5	\$990
M514.xxx.RENT (LENT)	Entrance Trim – Lever		\$990



Requires additional components. See page 41 & 42 for details.

Cody Full Escutcheon Handleset Trim



Finish: 076, 102, 112, 190, 402

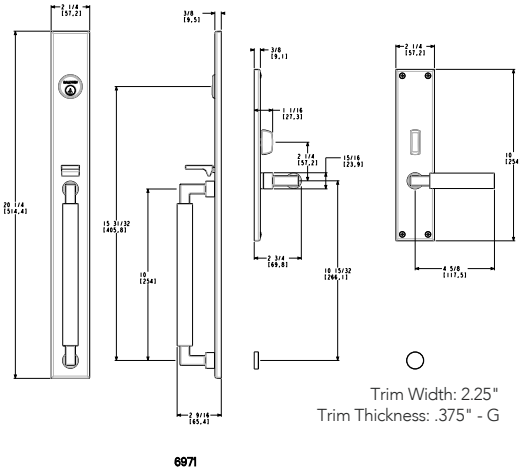
Item #	Description	Wt.	Price
M504.xxx.ENTR	Entrance Trim – Knob	9.5	\$990
M504.xxx.RENT (LENT)	Entrance Trim – Lever		\$990



Requires additional components. See page 41 & 42 for details.

Gramercy Full Escutcheon Handleset Trim

With L029 Lever



Finish: 044, 055, 056, 076, 102, 112, 190, 260

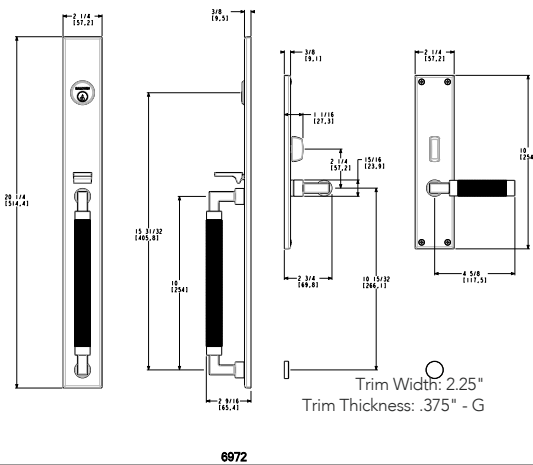
Item #	Description	Wt.	Price
6971.xxx.RENT (LENT)	Entrance Trim - Gramercy	9.1	\$1,371



Requires additional components. See page 41 & 42 for details.

Gramercy Knurled Full Escutcheon Handleset Trim

With L030 Lever



Finish: 044, 055, 056, 076, 102, 112, 190, 260

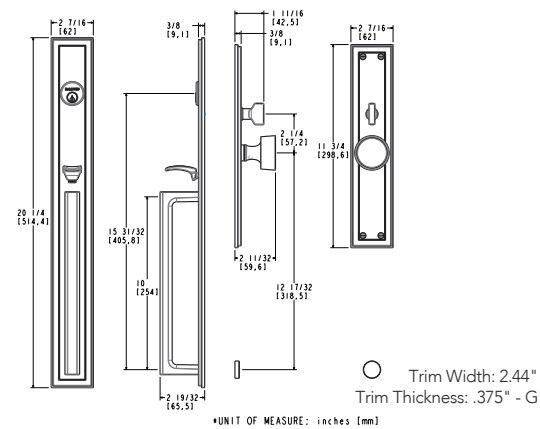
Item #	Description	Wt.	Price
6972.xxx.RENT (LENT)	Entrance Trim - Gramercy	8.6	\$1,440



Requires additional components. See page 41 & 42 for details.

Hollywood Hills 20" Escutcheon Handleset Trim

K008 Knob



Finish: 003, 031, 033, 044, 055, 056, 076, 102, 112, 190, 260

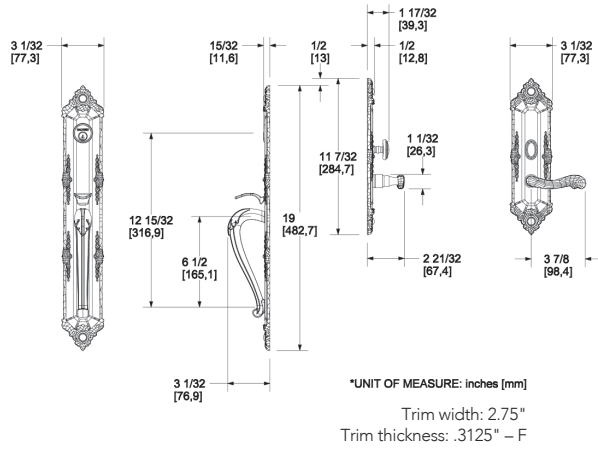
Item #	Description	Wt.	Price
6946.xxx.ENTR	Entrance Trim		\$1,371



Requires additional components. See page 41 & 42 for details.

Kensington Handleset Trim

w/ 5108 Lever



Finish: 003, 031, 033, 044, 055, 056, 076, 102, 112, 190, 260

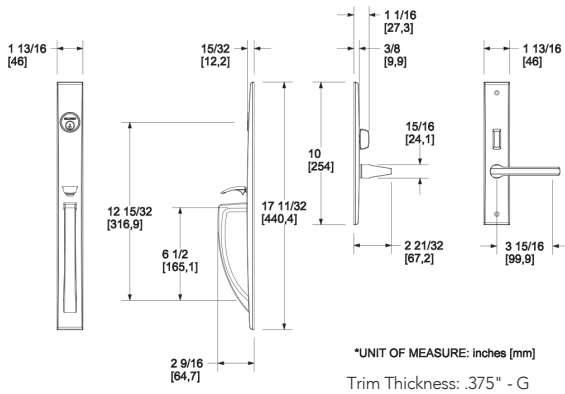
Item #	Description	Price
6950.xxx.RENT (LENT)	Entrance Trim	\$1,219



Requires additional components. See page 41 & 42 for details.

Lakeshore™ Handleset Trim

Emergency Egress w/ 5162 Lever



Finish: 003, 044, 055, 056, 076, 102, 112, 190, 260

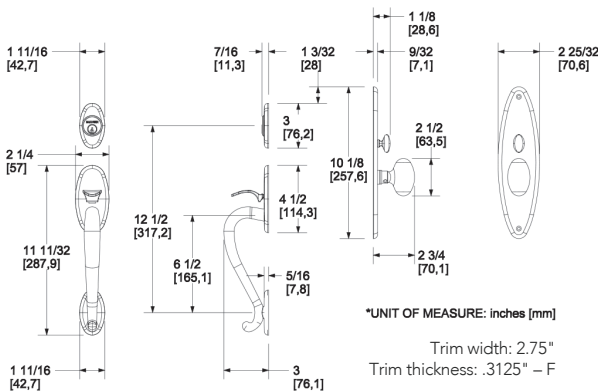
Item #	Description	Wt.	Price
6966.xxx.RENT (LENT)	Entrance Trim – Lakeshore	5.0	\$1,219



Requires additional components. See page 41 & 42 for details.

Lexington Handleset Trim

w/ 5025 Egg Knob



Finish: 003, 031, 033, 044, 055, 056, 076, 102, 112, 190, 260

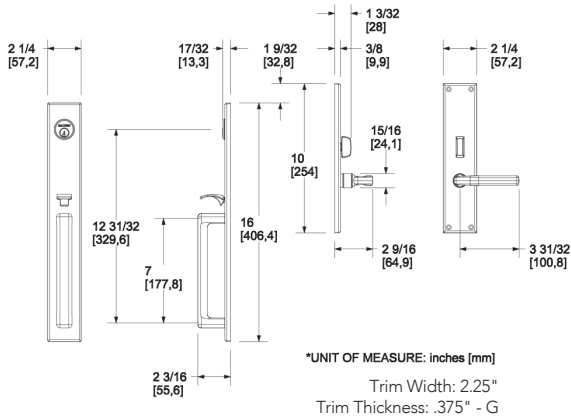
Item #	Description	Wt.	Price
6560.xxx.ENTR	Entrance Trim	4.3	\$760



Requires additional components. See page 41 & 42 for details.

Minneapolis™ Handleset Trim

Emergency Egress w/ 5162 Lever



Finish: 044, 055, 056, 076, 102, 112, 190, 260

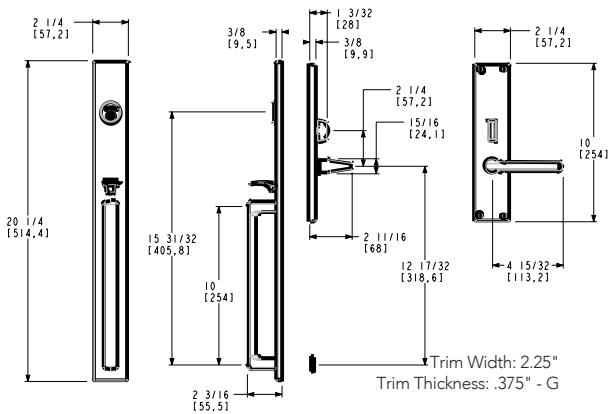
Item #	Description	Wt.	Price
6976.xxx.RENT (LENT)	Entrance Trim	5.5	\$990



Requires additional components. See page 41 & 42 for details.

Minneapolis 20" Escutcheon Handleset Trim

w/ 5162 lever



Finish: 044, 055, 056, 076, 102, 112, 190, 260

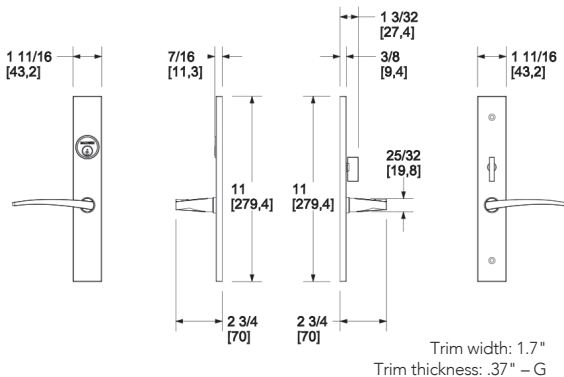
Item #	Description	Wt.	Price
6977.xxx.RENT (LENT)	Entrance Trim - Minneapolis 20"	5.5	\$1,371



Requires additional components. See page 41 & 42 for details.

Santa Monica Handleset Trim

w/ L022 Lever



Finish: 044, 055, 056, 076, 102, 112, 190, 260

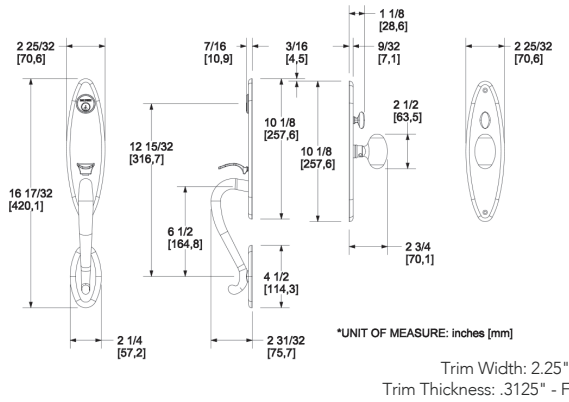
Item #	Description	Wt.	Price
6915.xxx.ENTR	Entrance Trim	9.5	\$760



Requires additional components. See page 41 & 42 for details.

Springfield Handleset Trim

w/ 5025 Egg Knob



Finish: 003, 031, 033, 044, 055, 056, 076, 102, 112, 190, 260

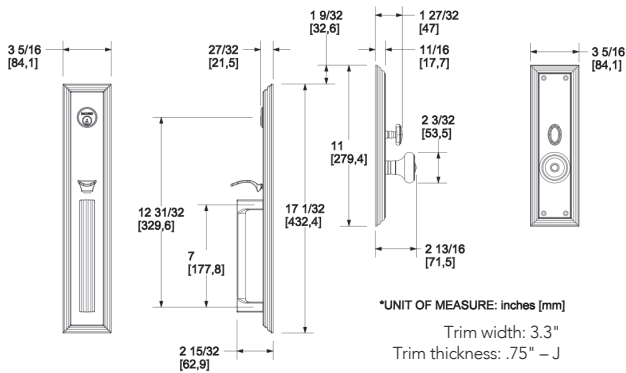
Item #	Description	Wt.	Price
6573.xxx.ENTR	Entrance Trim	9.5	\$760



Requires additional components. See page 41 & 42 for details.

Tremont Handleset Trim

w/ 5020 Knob



Finish: 003, 031, 033, 044, 055, 056, 076, 102, 112, 190, 260

Item #	Description	Wt.	Price
6542.xxx.ENTR	Entrance Trim	9.5	\$1,219



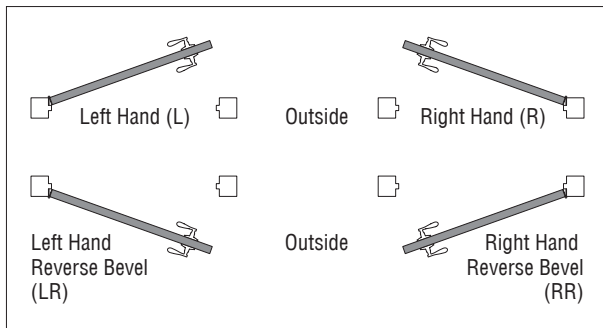
Requires additional components. See page 41 & 42 for details.

SUFFIX CHART

	SUFFIX	MINUS STRIKE	WITH 1" FRONT*
Right hand	.R	.RDT	.R1DT
Left hand	.L	.LDT	.L1DT
Right hand Reverse bevel	.RR	.RRDT	.RR1DT
Left hand Reverse bevel	.LR	.LRDT	.LR1DT
Right hand Lever Strength	.RLS	.RLSDT	.RLS1DT
Left hand Lever Strength	.LLS	.LLSDT	.LLS1DT

*Applies to 2.5" backset locks. For 1" Front DT Distinguishes minus strike. If ordering with strike, do not include the DT note.

DOOR HANDING



1. All Mortise Locks have a handed Suffix (.R or .L)
2. All Mortise Locks are either Knob Strength (no addition to Suffix) or Lever Strength (LS added to the Suffix)

WARNING: DO NOT USE Lever Strength mortise locks with knobs. They only turn one way and have a stiff turning action suitable for levers.

3. Other Mortise Lock options:

- Reverse Bevel doors (RR or LR)
- Minus Strike (DT), when an Extended Lip Strike is needed (order Strike separately) Optional 1" Front (1) for 1.375" doors
- Optional 1" front for 1.375" doors are only available on 2.5" or smaller backsets

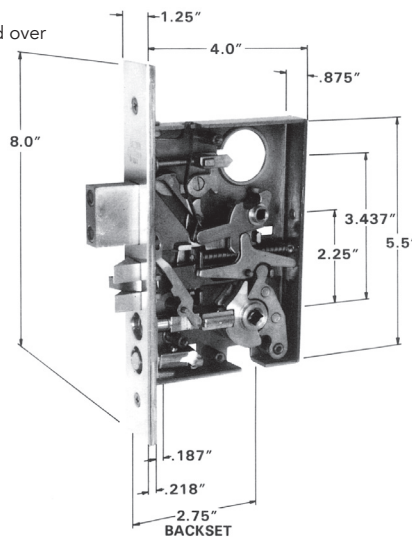
4. Always review suffix chart!

FOR MORE DETAILS CONSULT A BALDWIN ESTATE PRICEBOOK.

AVAILABLE IN QUICKSHIP

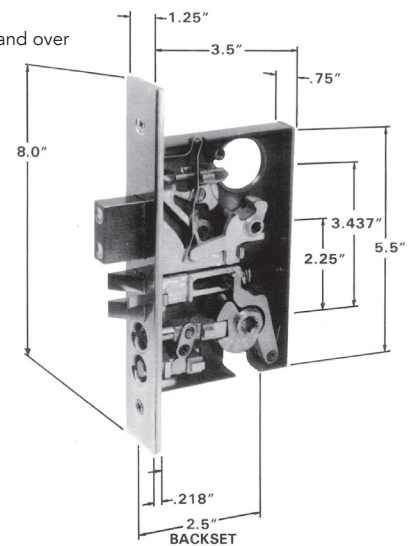
2.75" Backset

for doors 1.75" thick and over



2.5" Backset

for doors 1.375" thick and over



ALL 2.5" AND 2.75" ENTRANCE MORTISE LOCKS ARE U/L LISTED

Baldwin UL-listed 2.5" and 2.75" mortise locks meet US standard UL-10C and Canadian standard CAN4 S104-M80 for survival of a 3-hour burn under positive pressure. All Baldwin Estate Collection mortise entry trim and Estate Collection knob/lever trim may be used with Baldwin UL-listed mortise locks.

NOTE: 1" lock fronts and locks less strike are NOT available in the QuickShip program.

Finish: 003, 031, 033, 044, 055, 056, 076, 102, 112, 150, 190, 260

LIST OF AVAILABLE HANDLING OPTIONS

	SUFFIX*
Right hand	.R
Left hand	.L
Right hand Lever Strength	.RLS
Left hand Lever Strength	.LLS

Item #	Description	Backset	Wt.	Std. Strike	Price
6020.xxx.Suffix*	Residential Entrance	Handleset x Knob/Lever	2.75"	3.0	6040
6021.xxx.Suffix*	Entrance – Emergency Egress	Handleset x Knob/Lever	2.75"	3.0	6040
6075.xxx.Suffix*	Entrance – Emergency Egress	Knob x Knob/Lever x Lever	2.75"	3.0	6040
6320.xxx.Suffix*	Residential Entrance	Handleset x Knob/Lever	2.5"	3.0	6340
6321.xxx.Suffix*	Entrance – Emergency Egress	Handleset x Knob/Lever	2.5"	3.0	6340
6375.xxx.Suffix*	Entrance – Emergency Egress	Knob x Knob/Lever x Lever	2.5"	3.0	6340

2.75" backsets comes with the 1.25" front.

2.5" backsets comes with the 1.25" front.

>Specify handing with Suffix* after finish designation (Suffix chart above left)

NOTE: Baldwin recommends the usage of 2.75" backset locks for doors thicker than 2" or doors 8ft or taller.

WARNING: DO NOT USE lever Strength mortise locks with knobs. They only turn one way and have a stiff turning action suitable for levers.

SINGLE CYINDER – C KEYWAY



Finish: 003, 031, 033, 044, 055, 056 076, 102, 190, 112, 260

Item #	Description	Price
8323.xxx	1.25" Mortise Cyl.	
8324.xxx	1.375" Mortise Cyl.	\$82
8325.xxx	1.5" Mortise Cyl.	
8326.xxx	1.625" Mortise Cyl.	\$169

QuickShip Cylinder is only for 1.75" thick Doors. Other mortise lock components, including thick door kits and locks less strikes are available with standard lead times. Please consult the Baldwin Estate Price Book or contact Baldwin Customer Service for details.

THICK DOOR KITS

1.75" to 2.25" Door Thickness Mortise Handlesets

MORTISE, WOOD DOOR

KIT	FOR ENTRANCE TRIM #	Price
6501.000.A	6542, 6977, M502, M504, M512, M514, M522, 6560, 6571, 6572, 6573, 6931, 6946, 6948, 6950, 6963, 6976 active & dummy	\$11
6501.000.F	6966, 6974	\$40

REQUIRED for all doors over 1.75" and up to 2.25" thick Thick Door Kits

Santa Monica - Large

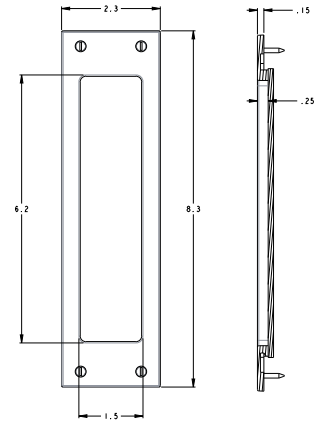


SET*

Finish: 003, 031, 033, 044, 055, 056, 076, 102, 112, 190, 260

Item #	Description		Price
PD005.xxx.ENTR	Entry set with 2.5" backset lock*	Set	\$814
PD005.xxx.PRIV	Privacy set with 2.5" backset lock	Set	\$814
PD005.xxx.PASS	Passage/dummy set with pull	Set	\$724
PD005.xxx.FD	Dummy set for double doors	Set	\$765

*Entry set excludes cylinder



Minimum Door Thickness: 1.375"

Santa Monica - Small

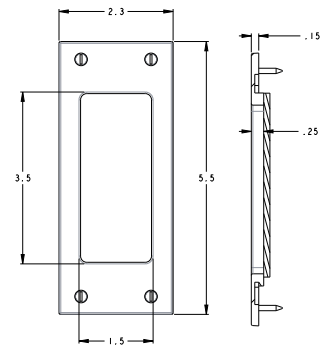


SET*

Finish: 003, 031, 033, 044, 055, 056, 076, 102, 112, 190, 260

Item #	Description		Price
PD006.xxx.ENTR	Entry set with 2.5" backset lock*	Set	\$760
PD006.xxx.PRIV	Privacy set with 2.5" backset lock	Set	\$760
PD006.xxx.PASS	Passage/dummy set with pull	Set	\$668
PD006.xxx.FD	Dummy set for double doors	Set	\$710

*Entry set excludes cylinder



Minimum Door Thickness: 1.375"

1035 3.5" x 3.5" – Square Corner



Finish: 003, 031, 033, 044, 055, 056, 076, 102, 112, 190, 260

Item #	Description	Per Box	Wt.	Price
1035.xxx.l	Hinge – 3.5" x 3.5"	1 each	0.7	\$50

PACKED: One per box, each hinge poly-bagged with fasteners. Supplied with 6 – #10 Flat Head-Phillips wood screws.

NOTE: Hinge thickness: .125".

1040 4" x 4" – Square Corner



Finish: 003, 031, 033, 044, 055, 056, 076, 102, 112, 190, 260

Item #	Description	Per Box	Wt.	Price
1040.xxx.l	Hinge – 4" x 4"	1 each	0.8	\$54

PACKED: One per box, each hinge poly-bagged with fasteners. Supplied with 8 – #12 Flat Head-Phillips wood screws.

NOTE: Hinge thickness: .130".

1045 4.5" x 4.5" – Square Corner



Finish: 003, 031, 033, 044, 055, 056, 076, 102, 112, 190, 260

Item #	Description	Per Box	Wt.	Price
1045.xxx.l	Hinge – 4.5" x 4.5"	1 each	1.0	\$58

PACKED: One per box, each hinge poly-bagged with fasteners. Supplied with 8 – #12 Flat Head-Phillips wood screws.

NOTE: Hinge thickness: .134".

1041 4" x 4" – Ball Bearing



Finish: 003, 031, 033, 044, 055, 056, 076, 102, 112, 190, 260

Item #	Description	Per Box	Wt.	Price
1041.xxx.I	Ball Bearing Hinge – 4" x 4"	1 each	0.8	\$67

PACKED: One per box, each hinge poly-bagged with fasteners. Supplied with #12 x 1.25" Flat Head-Phillips wood screws.

NOTE: Hinge thickness: .130".

1046 4.5" x 4.5" – Ball Bearing



Finish: 003, 031, 033, 044, 055, 056, 076, 102, 112, 190, 260

Item #	Description	Per Box	Wt.	Price
1046.xxx.I	Ball Bearing Hinge – 4.5" x 4.5"	1 each	1.0	\$70

PACKED: One per box, each hinge poly-bagged with fasteners. Supplied with #12 x 1.25" Flat Head-Phillips wood screws.

NOTE: Hinge thickness: .134".

1135 3.5" x 3.5" – 5/8" Radius Corner



Finish: 003, 031, 033, 044, 055, 056, 076, 102, 112, 190, 260

Item #	Description	Per Box	Wt.	Price
1135.xxx.I	5/8" Radius Corner Hinge – 3.5" x 3.5"	1 each	0.7	\$34

PACKED: One per box, each hinge poly-bagged with fasteners. Supplied with #10 x 1" Flat Head-Phillips wood screws.

NOTE: Hinge thickness: .093".

1140 4" x 4" – 5/8" Radius Corner



Finish: 003, 031, 033, 044, 055, 056, 076, 102, 112, 190, 260

Item #	Description	Per Box	Wt.	Price
1140.xxx.I	5/8" Radius Corner Hinge – 4" x 4"	1 each	0.8	\$38

PACKED: One per box, each hinge poly-bagged with fasteners. Supplied with #10 x 1" Flat Head-Phillips wood screws.

NOTE: Hinge thickness: .090".

4045 Base Mounted Door Bumper



Finish: 003, 031, 033, 044, 055, 056, 076, 102, 112, 190, 260

Item #	Description	Per Box	Wt.	Price
4045.xxx	Wall Door Bumper – 3" Proj., 1.1875" Dia.	10	2	\$23

FEATURES: Solid forged brass construction for maximum strength and durability. Stem of bumper has hexagon section to facilitate fastening without damaging finish. Resilient rubber guard is replaceable.

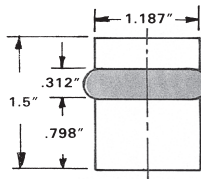
PACKED: Individually poly-bagged with appropriate fasteners (1 per poly bag).

FASTENERS: Supplied with wood screw thread.

Federal Specification Equivalents: Government Type: 1322

BHMA DESIGNATION: L02031

4505 Universal Floor Bumper



Finish: 003, 031, 033, 044, 055, 056, 076, 102, 112, 190, 260

Item #	Description	Per Box	Wt.	Price
4505.xxx	Floor Bumper – 1.187" Dia.	10	4	\$36

FEATURES: Designed for concealed mounting applications, this contemporary floor bumper contains the mounting screw within the body of the bumper. The rubber insert is located .798" (20mm) from the bottom to function on doors with a .375" (9.5mm) to a 1" (25mm) undercut. To facilitate the replacement of the rubber guard, simply remove the top cap.

PACKED: Individually poly-bagged with appropriate fasteners.

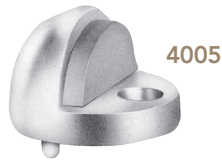
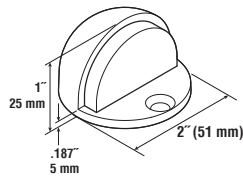
ORDERING INSTRUCTIONS: Supplied with a wood screw and plastic anchor.aa

REPLACEMENT RUBBER: No. 4507.406.00035 (Grey)

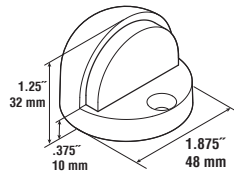
4000, 4005, 4010 Half Dome Door Bumpers



4000



4005



Finish: 030, 031, 033, 044, 076, 102, 112, 140, 150, 190, 260

Item #	Description	Per Box	Wt.	Price
4000.xxx	Half Dome Door Bumper – 1"Ht.	50	12	\$21
4005.xxx	Half Dome Door Bumper – 1.25"Ht.	40	16.6	\$21

FEATURES: "Half Dome" design minimizes stumbling hazards and cleaning interference. Thick solid rubber bumper of special design is compounded for greater resiliency.

PACKED: Individually poly-bagged with appropriate fasteners in a dispensing type carton.

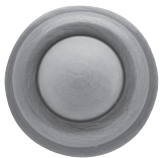
FASTENERS: Supplied with fasteners for wood, plaster, and masonry installations.

FEDERAL SPECIFICATION EQUIVALENTS: Government Type: 1330/1330A

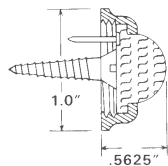
BHMA DESIGNATION: L02141 (No. 4000), L02161 (No. 4005)

REPLACEMENT RUBBER: No. 4000.406 for 4000/4005 (Grey)

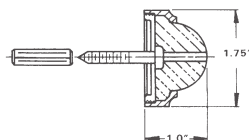
4015, 4252 Convex Wall Bumpers



4015



4252



Finish: 003, 031, 033, 044, 055, 076, 102, 112, 140, 150, 190, 260

Item #	Description	Per Box	Wt.	Price
4015.xxx	Wall Flush Bumper – 1" Dia.	1	0.8	\$19
4252.xxx*	Wall Flush Bumper – Convex Design	1	10	\$19

*Not available in 055

4015 FEATURES: Compact designed bumper permits installation in areas where larger bumpers are not suitable due to size or projection. Fasteners are totally concealed underneath durable rubber insert.

4252 FEATURES: Engineered for commercial/residential installations, this compact and contemporary designed bumper features completely concealed fasteners for an unobtrusive and screwless appearance. Supplied with wood and masonry fasteners, it is furnished unassembled to facilitate the substitution of fasteners. Designed for ease of installation, the bumper is attached onto a heavy gauge metal back plate through a threading application. For a fully theft proof installation, the use of a strap wrench for tightening or several drops of Loctite Grade A is recommended.

4252 PACKED: Individually poly-bagged with appropriate fasteners in a dispensing type carton.

FEDERAL SPECIFICATION EQUIVALENTS: Government Type: 1327 (4252 only)

BHMA DESIGNATION: L02101 (4015 & 4252)

0102, 0103 Colonial Knocker



Finish: 003, 031, 033, 044, 055, 056, 076, 102, 112, 190, 260

Item #	Description	Per Box	Wt.	Price
0102.xxx	Colonial Knocker	1	1	\$105
0103.xxx	Colonial Knocker w/ Observascope	1	1	\$126

SIZE: 6.5" x 3.5" (165 x 89mm)

CTC OF BOLTS: 4" (102mm)

PACKED: One (1) in a box, poly-bagged, with proper fasteners for 1.75" thick doors

0113 "S" Knocker



Finish: 003, 031, 033, 044, 055, 056, 076, 102, 112, 190, 260

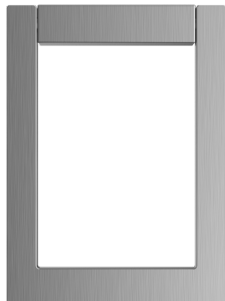
Item #	Description	Per Box	Wt.	Price
0113.xxx	"S" Knocker	1	1.8	\$210

SIZE: 2" dia. base (51mm), 7.8" ht. (197mm), 2.8" projection (70mm)

CTC OF BOLTS: 4.75" (120mm)

PACKED: One (1) in a box, poly-bagged, with proper fasteners for 1.75" thick doors

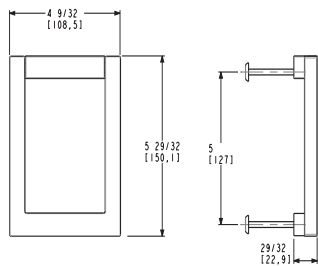
0183 Contemporary Knocker



Finish: 044, 055, 056, 076, 102, 112, 190, 260

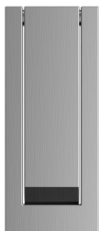
Item #	Description	Wt.	Price
0183.xxx	Contemporary Knocker		\$210

PACKED: One (1) in a box, poly-bagged, with proper fasteners for 1.75" thick doors.



0184, 0185 Modern Knocker

0184 Standalone



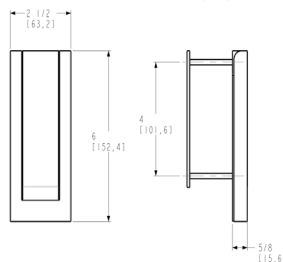
0185 Observascope



Finish: 044, 055, 056, 076, 102, 112, 190, 260

Item #	Description	Wt.	Price
0184.xxx	Modern Knocker		\$189
0185.xxx	Modern Knocker w/ Observascope		\$210

PACKED: One (1) in a box, poly-bagged, with proper fasteners for 1.75" thick doors.



0195 Ring Knocker



Finish: 003, 031, 033, 044, 055, 056, 076, 102, 112, 190, 260

Item #	Description	Per Box	Wt.	Price
0195.xxx	Ring Knocker	1	1.5	\$189

SIZE: 4.25" x 5.5" (108 x 140mm)

CTC OF BOLTS: 3.75" (95mm)

PACKED: One (1) in a box, poly-bagged, with proper fasteners for 1.75" thick doors

0155, 0156 Observascope



Finish: 030, 260

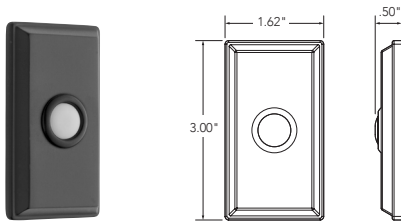
Item #	Description	Per Box	Wt.	Price
0155.xxx	Observ-O-Scope (doors <2.25" thick)	10	0.06	\$23
0156.xxx	Observ-O-Scope (doors 2.25-3.25" thick)	10	0.06	\$25

SIZE: .5" (13mm) diameter quality lens.

FEATURES: Exterior lens constructed of scientific glass to prohibit scratching while creating a field of vision exceeding 160°. All viewers are furnished with a shutter.

INSTALLATION: Drill a .5" (13mm) hole completely through the door; insert the lens portion into the exterior side and the slotted scope portion through the interior side. Tighten together with a standard screwdriver.

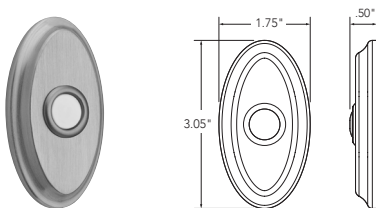
4860 Rectangular Bell Button



Finish: 003, 031, 044, 055, 056, 076, 102, 112, 190, 260

Item #	Description	Wt.	Price
4860.xxx	Rectangular Bell Button	0.3	\$45

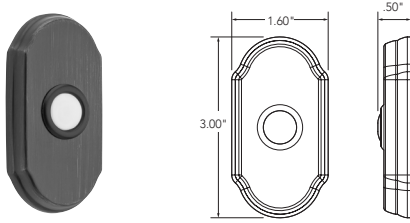
4861 Oval Bell Button



Finish: 003, 031, 044, 055, 056, 076, 102, 112, 190, 260

Item #	Description	Wt.	Price
4861.xxx	Oval Bell Button	0.3	\$45

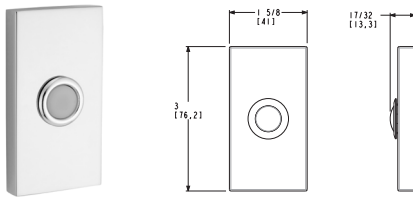
4862 Arch Bell Button



Finish: 003, 031, 044, 055, 056, 076, 102, 112, 190, 260

Item #	Description	Wt.	Price
4862.xxx	Arch Bell Button	0.3	\$45

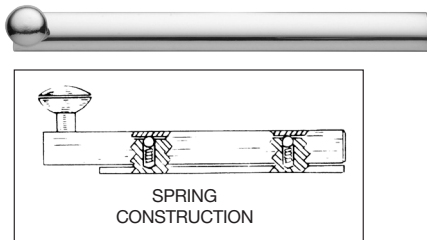
4863 Rectangular Bell Button



Finish: 044, 055, 056, 076, 102, 112, 190, 260

Item #	Description	Wt.	Price
4863.xxx	Contemporary Bell Button	0.3	\$45

0321, 0322 General Purpose Surface Bolts
Supplied w/ 0320 Strikes



Finish: 003, 031, 033, 044, 076, 102, 112, 140, 150, 190, 260

Item #	Description	Per Box	Wt.	Price
0321.xxx	Surface Bolt – 3"	10	1.8	\$38
0322.xxx	Surface Bolt – 4"	10	2.2	\$39

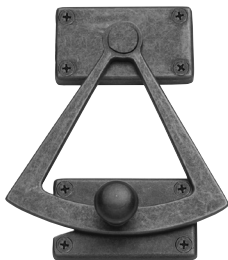
SIZES: .5" (13mm) width rod, .5" (13mm) width of guide, .875" (22mm) throw.

FEATURES: Mounted on a fully concealed guide of special design. Fasteners are not visible.

PACKED: Includes Universal and Mortise Strikes and screws.

BHMA DESIGNATION: L04151

0340 Dutch Door Quadrant



Finish: 003, 031, 033, 044, 055, 056, 076, 102, 112, 190, 260

Item #	Description	Per Box	Wt.	Price
0340.xxx	Dutch Door Quadrant, 4" x 4.75"	1	0.7	\$110

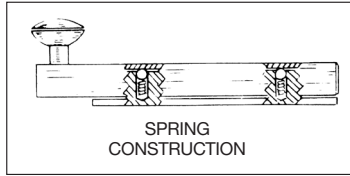
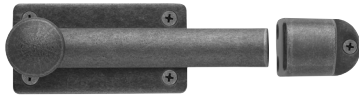
SIZES: Base: 1.5" x 2.5" (38x64mm). Overall: 4" x 4.75" (102x121mm).

Length of bolt: 4.25" (108mm). Bolt throw: 1.125" (28mm).

FEATURES: Fully reversible, non-handed Double the tensile strength of ordinary sand castings Self-lubricating nylon washer for positive constant tension When bolt is in locked position, both pivot and keeper are in straight line. Specially designed tapered strike promotes secure interlock of top and bottom leaves of Dutch doors.

PACKED: One in a box with wood screws.

0345 Heavy Duty Dutch Door Bolt
Supplied w/ 0310 Strike



Finish: 003, 031, 033, 044, 055, 056, 076, 102, 112, 190, 260

Item #	Description	Per Box	Wt.	Price
0345.xxx	Dutch Door Bolt	1	3.8	\$110

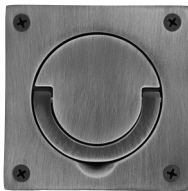
SIZES: Rod width: .625"(16mm). Guide width: 1.5"(38mm). Length of bolt: 4.25"(108mm). Bolt throw: 1.125"(28mm).

FEATURES: Our Dutch Door Bolt is made of heavy solid brass extrusions, precisely fitted for easier operation. When used on Dutch doors the leaves of doors are tightly joined by chamfered rod end. Proper amount of play is provided in strike allowing for misalignment of the two leaves. This prevents bolt from binding. Large and decorative 1.25"(32mm) diameter knob is for easier handling.

PACKED: 5 in a box with proper fasteners and strike as illustrated.

STRIKES: Universal, Angle, Mortise, and Surface Strikes available at an extra charge. Consult price list.

0397 Flush Cup Handle & Ring Pull



Finish: 003, 031, 033, 044, 055, 056, 076, 102, 112, 190, 260

Item #	Description	Per Box	Wt.	Price
0397.xxx	Flush Cup Handle (Brass) – 3.5"x 3.5"	1	0.9	\$231

FEATURES: Solid forged construction for maximum strength and durability, Flush Ring Pulls, are recommended for marine use and where flush installation is essential.

PACKED: Includes wood screws.

BHMA DESIGNATION: J404

NOTES: Not intended to be used as a tie down.

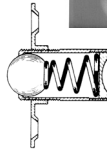
IMPORTANT: No. 0397 Flush Ring Pull is specifically designed for use with mortise locks/latches. Available only for back-to-back or single mounting applications on 2"(51mm) minimum thick doors or 1.75"(44mm) minimum thick doors with .25"(6mm) minimum applied panel. Application must be designated when ordering.

0425, 0426 Adjustable Ball Catch

0425



0426



Finish: 003, 031, 033, 044, 055, 056, 076, 102, 112, 140, 190, 260

Item #	Description	Wt.	Price
0425.xxx	Adjustable Ball Catch (fitted in jamb)	2.1	\$32
0426.xxx	Adjustable Ball Catch (fitted in door)	2.2	\$32

SIZE: Face Plate: 1" x 2.125"(25 x 54mm)

Bore: .875" dia. x 1.25" long (22 x 32mm)

0425.xxx Strike: 1.06" x 2.125", Lip to Center: .56"

0426.xxx Strike: 1.375" x 2.125", Lip to Center: .875"

FEATURES: Dual adjustment ball bearing catch of excellent design takes advantage of rolling ball action for perfect tension. Infinite adjustments for compensation of various door clearances, swelling, shrinking, drafts and weights. Recommended for use on louvered, bi-folding, accordion, closet and light to medium service doors.

PACKED: Includes wood screws.

FEDERAL SPECIFICATION EQUIVALENTS: Government Type: 1861

BHMA DESIGNATION: D2801

NOTES: Not recommended for doors larger than for doors larger than 3.0' x 6'8" x 1.75" thick.

0440 Adjustable Roller Catch



Finish: 003, 031, 033, 044, 076, 102, 112, 140, 150, 190, 260

Item #	Description	Wt.	Price
0440.xxx	Adjustable Roller Catch	2.2	\$37

SIZE: Face Plate: 1" x 2.25" (25x57mm)

Bore: 1" dia. x 1.625" long (25x41mm)

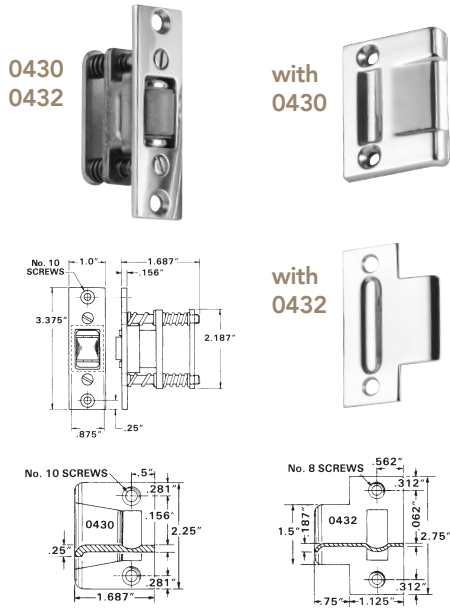
Strike: 1.125" x 2.75" (29x70mm)

Lip to Center: 1.312" (33mm)

FEATURES: Adjustable tension heavy duty roller catches made for cabinet, closet and interior doors. (Recommended for 1.375" thick hollow core doors). Easily installed on thick doors. Smooth action. Fully adjustable from 3 lbs. (1.36kg) to 18lbs. (8.16kg) of heading pressure. Equipped with durable nylon roller for quiet operation.

PACKED: Includes fasteners.

0430, 0432 Roller Latch
w/ Strike



Finish: 003, 031, 033, 044, 076, 102, 112, 140, 150, 190, 260

Item #	Description	Wt.	Price
0430.xxx	Roller Latch w/ Full Lip Strike	0.7	\$118
0432.xxx	Roller Latch w/ t Strike	0.7	\$118

SIZE: 0432.xxx Lip To Center Dimension: 1.25" (32mm).

FEATURES: Designed for use on interior doors in hospitals or where quiet operation is required. Very sturdy all forged brass construction throughout. Specifically compounded rubber roller silently engages the strike and holds the door firmly closed without the loud clicks of ordinary locks. The projection of the roller is adjustable for various door clearances. Specially designed adjusting screws, mounted in the face plate, permit fine and accurate adjustment of the roller projection for various door clearances after installation. Designed to ANSI template specifications.

PACKED: Includes wood screws and machine screws.

TEMPLATE: Doors/frames to be prepared in accordance with ANSI A115.1-1976 or A115.2-1980.

ORDERING INSTRUCTIONS: Item number listed under illustrated strike designates complete latch unit and strike. (Example: 0431 includes latch mechanism and ASA strike.)

FEDERAL SPECIFICATION EQUIVALENTS: Government Type: 193

BHMA DESIGNATION: EO9091

0452 Sash Lock



Finish: 003, 031, 033, 044, 055, 056, 076, 102, 112, 190, 260

Item #	Description	Wt.	Price
0452.xxx	Sash Lock	2.2	\$29

SIZE: Latch Base: .968" x 2.437" (25 x 62mm), Strike Base: .656" x 2.437" (15 x 62mm)

PROJECTION: .906" (23mm)

CTC OF HOLES: 2" (51mm)

FEATURES: Traditional style sash lock with heavy duty spring to provide constant tension for a non-rattling fit. Center to center of mounting screws conforms to industry standards.

PACKED: Includes necessary fasteners.

BHMA DESIGNATION: L05121

0458 Flush Pull



Finish: 003, 031, 033, 044, 055, 076, 102, 112, 150, 190, 260

Item #	Description	Wt.	Price
0458.xxx	Flush Pull, 1.5" x 3.5"	2.7	\$35

SIZE: Base: 1.5" x 3.5" (38 x 89mm)

THICKNESS OF FLANGE: .187" (5mm)

FEATURES: Decorative flush pull designed to be used as a sash lift or sliding door pull if pocket allows clearance. Colonial design makes it suitable for Early American interiors. Extra heavy solid forged brass construction.

NOTE: Pull has .25" projection

PACKED: Includes wood screws.

0470 Sash Lift



Finish: 003, 031, 033, 044, 055, 076, 102, 112, 150, 190, 260

Item #	Description	Wt.	Price
0470.xxx	Sash Lift, 4" x 1.125"	1	\$35

SIZE: Base: 4" x 1.125" (102 x 29mm)

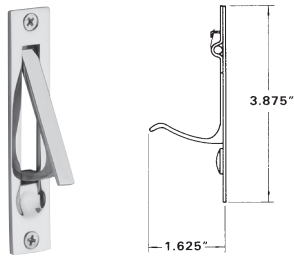
PROJECTION: .1" (25mm)

PACKED: Includes wood screws.

FEDERAL SPECIFICATION EQUIVALENTS: Government Type: 1204

BHMA DESIGNATION: L05181

0465 Edge Pull



Finish: 003, 031, 033, 044, 055, 056, 076, 102, 112, 190, 260

Item #	Description	Wt.	Price
0465.xxx	Edge Pull - .75" x 1.625" x 3.875"	1.2	\$24

FEATURES: Specially designed spring loaded Edge Pull returns lever flush with face plate. Narrow design eliminates installation problems on thin door conditions. Intended for use on pocket door applications.

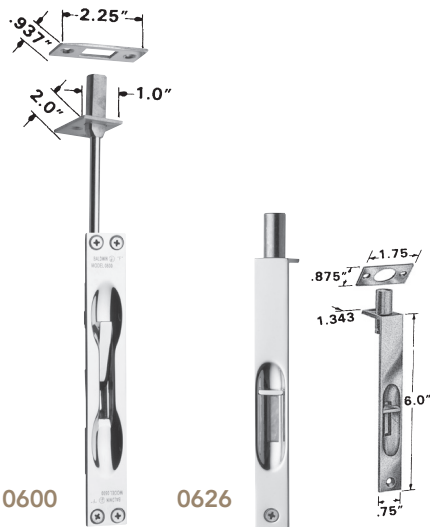
PACKED: Includes wood screws.

FEDERAL SPECIFICATION EQUIVALENTS: Government Type: 1861

BHMA DESIGNATION: D2801

NOTES: Not recommended for doors larger than 3.0' x 6'8" x 1.75" thick.

0600, 0626 Flush Bolts



Finish: 003, 031, 033, 044, 055, 056, 076, 102, 112, 140, 150*, 190, 260

Item #	Description	Wt.	Price
0600.xxx.12	Flush Bolt w/ 12" Rod (Standard)	1.8	\$75
0626.xxx*	Flush Bolt - 6"	3.8	\$32

0600.xxx

SIZE: Face Plate: 1" x 6.75" (25mm x 171mm), Bolt Head: .5" (13mm). Rod Backset: .75" (19mm)

FEATURES: Hot forged extension bolt having over .75" (19mm) throw. Unique push button design of lever and delay action for easy operation. Lever does not engage the bolt until it is hinged freely to 45 angle. At this position it is easy to move the bolt head. Lever snaps automatically when hinged beyond 45 angle. Made to template for easy installation in metal door frames. Use of strike optional.

PACKED: One in a box with 12" (305mm) rods standard. Bolts packed with machine/wood screws for all conditions. Lengths given are from center of bolt mechanism with bolt retracted.

FEDERAL SPECIFICATION EQUIVALENTS: Government Type: 1049

BHMA DESIGNATION: LO4081

0626.xxx

*0626 not available in 055 or 056

SIZE: 1" Throw, .47" Backset of Rod, .5" Bolt Head Diameter.

FEATURES: 6" (152mm) length. Sharply defined edge and recess. Smooth working action with automatic holding spring for both retracted and projected positions.

PACKED: Individually poly-bagged with screws and strike.

0742 Costume Hook



Finish: 003, 031, 033, 044, 076, 102, 112, 140, 150, 190, 260

Item #	Description	Wt.	Price
0742.xxx	Costume Hook, 5.375" (137mm) h. x 3.5" (89mm) p.	0.5	\$44

HEIGHT: 2.25" (57mm)

PROJECTION: 3" (76mm)

FEDERAL SPECIFICATION EQUIVALENTS: Government Type: 1172

BHMA DESIGNATION: LO3111

4416 Octagonal Knob



Finish: 003, 031, 044, 055, 112, 150, 190, 260

ITEM #	DESCRIPTION	Price
4416.xxx.bin	Octagonal Knob – 1.5" d. x 1.14" p.	\$34

PACKED: In individual poly bags and protective cartons with .75" long truss head screws.
 All bags are coded with product number, description & UPC code.

4417, 4418, 4419, 4420 Octagonal Pull

Finish: 003, 031, 044, 055, 112, 150, 190, 260

Item #	Description	Price
4417.xxx.bin	Octagonal Pull – 4" CTC x 1.24" p.	\$44
4418.xxx.bin	Octagonal Pull – 6" CTC x 1.24" p.	\$52
4419.xxx	Octagonal Pull - 12" CTC x 1.24" p.	\$210
4420.xxx	Octagonal Appliance Pull - 18" CTC	\$345

NOTE: 4" and 6" Pulls use 8-32 x 1" screws and mount on .75" thick doors/cabinets.
 12" and 18" Pulls use 10-24 X 1.3" screws and mount on doors between .75" to 1" thick.

PACKED: All bags are coded with product number, description and UPC code.
 12" and 18" Pulls ship one pull and screw pack in a box, and coded with product number, description and UPC code.

4417



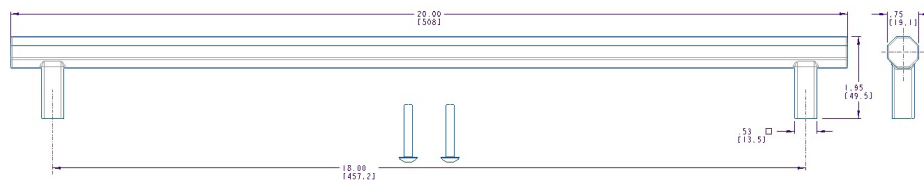
4418



4419



4420



4420 (18")

4425 Rectangle Raised Knob



Finish: 003, 031, 044, 055, 112, 150, 190, 260

Item #	Description	Price
4425.xxx.bin	Raised Knob – 1.5" d. x 1.1" p.	\$34

PACKED: In individual poly bags and protective cartons with .75" long truss head screws.
All bags are coded with product number, description & UPC code.

4426, 4427, 4428, 4429 Raised Pull

4426



4427



4428



4429

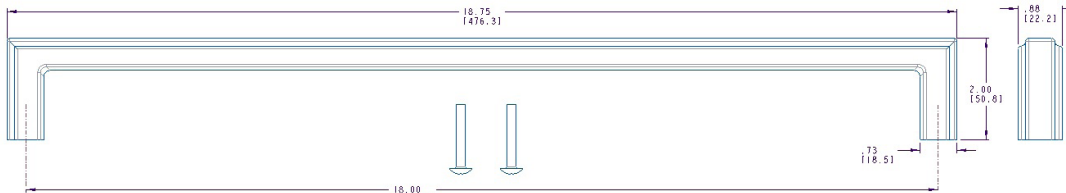


Finish: 003, 031, 044, 055, 112, 150, 190, 260

Item #	Description	Price
4426.xxx.bin	Raised Pull – 4" CTC x 1.38" p.	\$44
4427.xxx.bin	Raised Pull – 6" CTC x 1.38" p.	\$52
4428.xxx	Raised Pull - 12" CTC x 1.38" p.	\$210
4429.xxx	Raised Appliance Pull - 18" CTC	\$345

NOTE: 4" and 6" Pulls use 8-32 x 1" screws and mount on .75" thick doors/cabinets.
12" and 18" Pulls use 10-24 X 1.3" screws and mount on doors between .75" to 1" thick.

PACKED: All bags are coded with product number, description and UPC code.
12" and 18" Pulls ship one pull and screw pack in a box, and coded with product number, description and UPC code.



4429 (18 INCH)

4410, 4411 Bevel Knob

Finish: 031, 044, 055, 112, 150, 190, 260

Item #	Description	Price
4410.xxx.bin	Bevel Knob – 1.25" d. x 1" p.	\$26
4411.xxx.bin	Bevel Knob – 1.5" d. x 1" p.	\$34

NOTE: All knobs use 8-32 x 1" screws and mount on .75" thick doors/cabinets.
PACKED: All bags are coded with product number, description and UPC code.



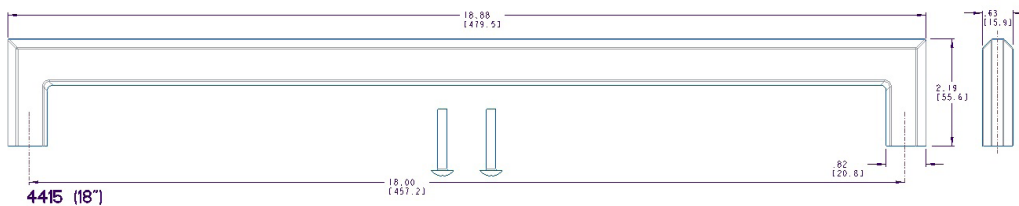
4412, 4413, 4414, 4415 Bevel Pull

Finish: 031, 044, 055, 112, 150, 190, 260

Item #	Description	Price
4412.xxx.bin	Bevel Pull – 4" CTC x 1.35" p.	\$44
4413.xxx.bin	Bevel Pull – 6" CTC x 1.35" p.	\$52
4414.xxx	Bevel Pull - 12" CTC x 1.35" p.	\$210
4415.xxx	Bevel Appliance Pull - 18" CTC	\$345

NOTE: 4" and 6" Pulls use 8-32 x 1" screws and mount on .75" thick doors/cabinets.
 12" and 18" Pulls use 10-24 X 1.3" screws and mount on doors between .75" to 1" thick.

PACKED: All bags are coded with product number, description and UPC code.
 12" and 18" Pulls ship one pull and screw pack in a box, and coded with product number, description and UPC code.



4404, 4405 Contemporary Knob



Finish: 031, 044, 055, 112, 150, 190, 260

Item #	Description	Price
4404.xxx.bin	Contemporary Knob – 1.25" d. x 1.06" p.	\$26
4405.xxx.bin	Contemporary Knob – 1.5" d. x 1.06" p.	\$34

PACKED: In individual poly bags and protective cartons with .75" long truss head screws.
 All bags are coded with product number, description & UPC code.

4406, 4407, 4408, 4409 Contemporary Pull

4406



4407



4408



4409

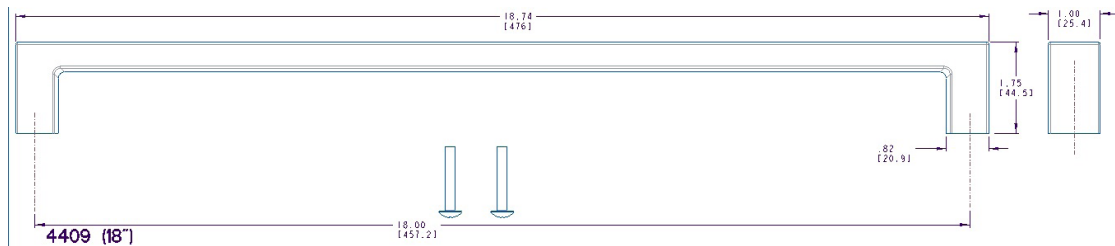


Finish: 031, 044, 055, 112, 150, 190, 260

Item #	Description	Price
4406.xxx.bin	Contemporary Pull – 4" CTC x 1.25" p.	\$44
4407.xxx.bin	Contemporary Pull – 6" CTC x 1.25" p.	\$52
4408.xxx	Contemporary Pull - 12" CTC x 1.25" p.	\$210
4409.xxx	Contemporary Appliance Pull - 18" CTC	\$345

NOTE: 4" and 6" Pulls use 8-32 x 1" screws and mount on .75" thick doors/cabinets.
 12" and 18" Pulls use 10-24 x 1.3" screws and mount on doors between .75" to 1" thick.

PACKED: All bags are coded with product number, description and UPC code.
 12" and 18" Pulls ship one pull and screw pack in a box, and coded with product number, description and UPC code.



4430 Gramercy Knob



Finish: 031, 044, 055, 112, 150, 190, 260

Item #	Description	Price
4430.xxx.bin	Gramercy Knob – 1.5" d.	\$34

NOTE: Knob comes with optional base plate to sit below knob base to best protect soft wood cabinets. All knobs use 8-32 x 1" screws and mount on .75" thick doors/cabinets.

PACKED: All bags are coded with product number, description and UPC code.



Shown with optional base plate.

4431, 4432, 4433, 4434 Gramercy Pull



4431



4432



4433



4434

Finish: 031, 044, 055, 112, 150, 190, 260

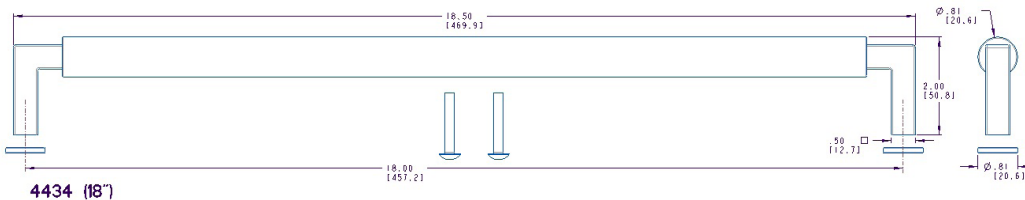
Item #	Description	Price
4431.xxx.bin	Gramercy Pull – 4" CTC x 1.34" p.	\$44
4432.xxx.bin	Gramercy Pull – 6" CTC x 1.34" p.	\$52
4433.xxx	Gramercy Pull - 12" CTC x 1.34" p.	\$210
4434.xxx	Gramercy Appliance Pull - 18" CTC	\$345

NOTE: 4" and 6" Pulls use 8-32 x 1" screws and mount on .75" thick doors/cabinets. 12" and 18" Pulls use 10-24 x 1.3" screws and mount on doors between .75" to 1" thick. Pulls come with optional base plates to sit beneath the pull legs. This is not required and is included for an optional design aesthetic.

PACKED: All bags are coded with product number, description and UPC code. 12" and 18" Pulls ship one pull and screw pack in a box, and coded with product number, description and UPC code.



Shown with optional base plates.



4970 Palm Springs Knob



Finish: 003, 031, 044, 055 112, 150, 190, 260

Item #	Description	Price
4970.xxx.bin	Palm Springs Knob – 1.5" d. x .65" x 1.145"p.	\$34

PACKED: In individual poly bags and protective cartons with .75" long truss head screws.
 All bags are coded with product number, description & UPC code.

4971, 4976, 4957, 4958 Palm Springs Pulls

4971



4976



4957



4958

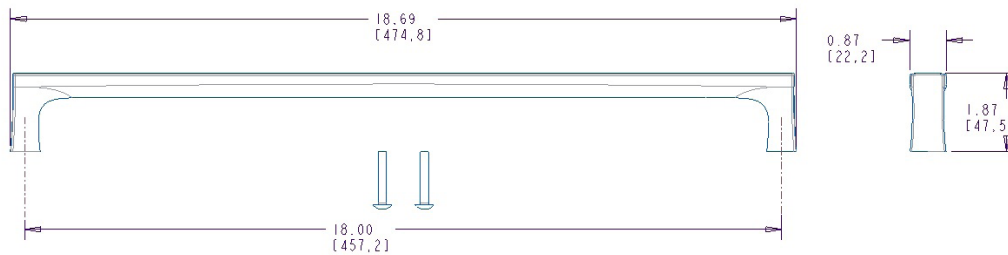


Finish: 003, 031, 044, 055 112, 150, 190, 260

Item #	Description	Price
4971.xxx.bin	Palm Springs Pull – 4" CTC x 1.145" p.	\$44
4976.xxx.bin	Palm Springs Pull – 6" CTC x 1.145" p.	\$52
4957.xxx	Palm Springs Pull - 12" CTC	\$210
4958.xxx	Palm Springs Appliance Pull - 18" CTC	\$345

NOTE: 4" and 6" Pulls use 8-32 x 1" screws and mount on .75" thick doors/cabinets.
 12" and 18" Pulls use 10-24 x 1.3" screws and mount on doors between .75" to 1" thick.

PACKED: All bags are coded with product number, description and UPC code.
 12" and 18" Pulls ship one pull and screw pack in a box, and coded with product number, description and UPC code.



4958 (18")

4972, 4973 Hollywood Hills Knob



Finish: 003, 031, 044, 055, 112, 150, 190, 260

Item #	Description	Price
4972.xxx.bin	Hollywood Hills Knob - 1.25" d.	\$26
4973.xxx.bin	Hollywood Hills Knob - 1.5" d. x 1.125" p	\$34

PACKED: In individual poly bags and protective cartons with .75" long truss head screws. All boxes are coded with product number, description & UPC code.

4400, 4486, 4955, 4956 Hollywood Hills Pulls

4400



4486



4955



4956

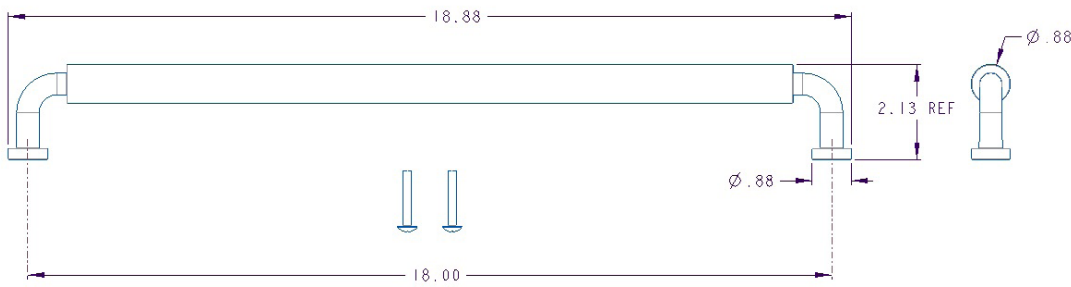


Finish: 003, 031, 044, 055, 112, 150, 190, 260

Item #	Description	Price
4400.xxx.bin	Hollywood Hills Pull - 4" CTC x 1.25" p	\$44
4486.xxx.bin	Hollywood Hills Pull - 6" CTC x 1.25" p	\$52
4955.xxx	Hollywood Hills Pull - 12" CTC x 1.25" p.	\$210
4956.xxx	Hollywood Hills Appliance Pull - 18" CTC	\$345

NOTE: 4" and 6" Pulls use 8-32 x 1" screws and mount on .75" thick doors/cabinets. 12" and 18" Pulls use 10-24 x 1.3" screws and mount on doors between .75" to 1" thick.

PACKED: All bags are coded with product number, description and UPC code. 12" and 18" Pulls ship one pull and screw pack in a box, and coded with product number, description and UPC code.



4956 (18")

4452, 4453 Severin Fayerman Collection A Knob



Finish: 003, 031, 044, 055, 112, 150, 190, 260

Item #	Description	Price
4452.xxx.bin	Severin A Knob - 1" d.	\$26
4453.xxx.bin	Severin A Knob - 1.25" d. x 1.13"p.	\$32

PACKED: In individual poly bags and protective cartons with .75" long truss head screws.
All bags are coded with product number, description & UPC code.

4357, 4947, 4359, 4360
Severin Fayerman Collection A Pulls



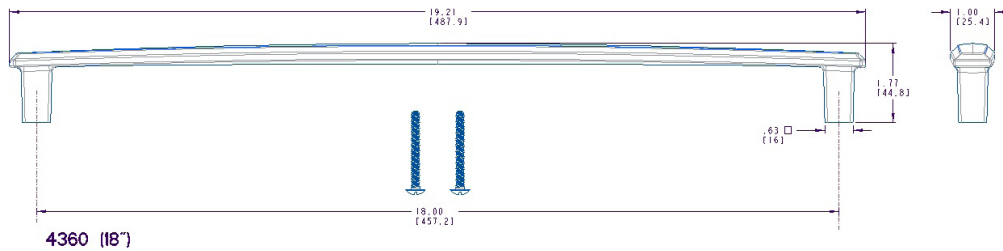
Finish: 003, 031, 044, 055, 112, 150, 190, 260

Item #	Description	Price
4357.xxx.bin	Severin A Pull - 4" CTC x 1.3"p.	\$44
4947.xxx.bin	Severin A Pull - 6" CTC x 1.3"p.	\$52
4359.xxx.bin	Severin A Pull - 12" CTC x 1.3" p.	\$210
4360.xxx.bin	Severin A Appliance Pull - 18" CTC	\$345

NOTE: 4" and 6" Pulls use 8-32 x 1" screws and mount on .75" thick doors/cabinets.
12" and 18" Pulls use 10-24 x 1.3" screws and mount on doors between .75" to 1" thick.

PACKED: All bags are coded with product number, description and UPC code.
12" and 18" Pulls ship one pull and screw pack in a box, and coded with product number, description and UPC code.

Dimensions	Mount CTC	Face Width
4359	12"	13.21"
4360	18"	19.21"



4623 Modern Knob



finish: 031, 044, 055, 112, 150, 190, 260

Item #	Description	Price
4623.xxx.bin	Modern Knob – 1.5"d. x 1.07" p.	\$34

NOTE: Knobs use 8-32 x 1" screws and mount on .75" thick doors/cabinets.

PACKED: All boxes are coded with product number, description and UPC code.

4624, 4625 Modern Pull



4624



4625

Finish: 031, 044, 055, 112, 150, 190, 260

Item #	Description	Price
4624.xxx.bin	Modern Pull – 4" CTC x 1.07" p.	\$44
4625.xxx.bin	Modern Pull – 6" CTC x 1.07" p.	\$52

NOTE: Pulls use 8-32 x 1" screws and mount on .75" thick doors/cabinets. The 4624 Pull can accommodate a pre-drilled 3", 3.5" and 4" CTC widths.

PACKED: All boxes are coded with product number, description and UPC code.

4620, 4621, 4622 Edge Pull



4620

4621

4622

Finish: 003, 044, 055, 112, 150, 190, 260

Item #	Description	Price
4620.xxx.bin	Edge Pull – 2" CTC x 1.125" p.	\$31
4621.xxx.bin	Edge Pull – 4" CTC x 1.125" p.	\$44
4622.xxx.bin	Edge Pull – 6" CTC x 1.125" p.	\$52

NOTE: Pulls use 8-32 x 1" screws and mount on .75" thick doors/cabinets.

PACKED: All boxes are coded with product number, description and UPC code.

4402, 4403 Tulip Knob

4402



4403



Finish: 003, 031, 044, 055, 112, 150, 190, 260

ITEM #	DESCRIPTION	Price
4402.xxx.bin	Tulip Knob - 1.25"d. x 1.2" p.	\$26
4403.xxx.bin	Tulip Knob - 1.5"d. x 1.2" p.	\$34

NOTE: All knobs use 8-32 x 1" screws and mount on .75" thick doors/cabinets.

PACKED: All bags are coded with product number, description and UPC code.

4454, 4456 Severin Fayerman Collection Knob

4452



4456



Finish: 003, 031, 044, 055, 112, 150, 190, 260

ITEM #	DESCRIPTION	Price
4454.xxx.bin	Severin C Knob - 1" d.	\$26
4456.xxx.bin	Severin C Knob - 1.32"d. x 1.24" p.	\$34

NOTE: All knobs use 8-32 x 1" screws and mount on .75" thick doors/cabinets.

PACKED: All bags are coded with product number, description and UPC code.

4490, 4491 Dominion Knob

4490
4491



Finish: 003, 031, 044, 055, 112, 150, 190, 260

ITEM #	DESCRIPTION	Price
4490.xxx.bin	Dominion Knob - 1"d. x 1.0" p.	\$22
4491.xxx.bin	Dominion Knob - 1.25"d. x 1.0" p.	\$24

NOTE: All knobs use 8-32 x 1" screws and mount on .75" thick doors/cabinets.

PACKED: All bags are coded with product number, description and UPC code.

4704, 4706 Classic Knob

4704
4706



Finish: 003, 031, 044, 055, 112, 150, 190, 260

ITEM #	DESCRIPTION	Price
4704.xxx.bin	Classic Knob - 1" d. x .937" p.	\$22
4706.xxx.bin	Classic Knob - 1.25" d. x 1.157" p.	\$24

NOTE: Knobs use 8-32 x 1" screws and mount on .75" thick doors/cabinets.

PACKED: All bags are coded with product number, description and UPC code.

4910, 4913 Oval Knob

4910
4913



Finish: 003, 031, 044, 055, 112, 150, 190, 260

ITEM #	DESCRIPTION	Price
4910.xxx.bin	Oval Knob - 1.125"d. x .75" x 1.1" p.	\$22
4913.xxx.bin	Oval Knob - 1.312"d. x 1" x 1.4" p.	\$24

NOTE: Knobs use 8-32 x 1" screws and mount on .75" thick doors/cabinets.

PACKED: All bags are coded with product number, description and UPC code. 5/8" diameter at base

4960, 4961 Spherical Knob

4960
4961



Finish: 030, 055, 102, 112, 150, 260

Item #	Description	Price
4960.xxx.bin	Spherical Knob - 1" d. x 1.312" p.	\$22
4961.xxx.bin	Spherical Knob - 1.25" d. x 1.562" p.	\$24

NOTE: Knobs use 8-32 x 1" screws and mount on .75" thick doors/cabinets.

PACKED: All bags are coded with product number, description and UPC code.

4421, 4422 Transitional Cup Pull



Finish: 003, 031, 044, 055, 112, 150, 190, 260

Item #	Description	Price
4421.xxx.bin	Transitional Cup Pull – 4" CTC	\$61
4422.xxx.bin	Transitional Cup Pull – 6" CTC	\$72

NOTE: All knobs use 8-32 x 1" screws and mount on .75" thick doors/cabinets.

PACKED: All boxes are coded with product number, description and UPC code.

4424 Cup Pull



Finish: 003, 031, 044, 055, 112, 150, 190, 260

Item #	Description	Price
4424.xxx.bin	Cup Pull – 4" CTC x 1.2" p.	\$37

NOTE: Pulls use 8-32 x 1" screws and mount on .75" thick doors/cabinets.

PACKED: All bags are coded with product number, description and UPC code.

4480, 4401 Oval Pull



Finish: 003, 031, 044, 055, 112, 150, 190, 260

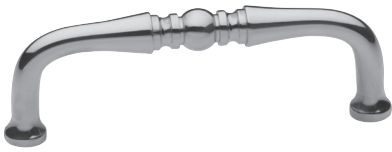
Item #	Description	Price
4480.xxx.bin	Oval Pull – 4" CTC	\$32
4401.xxx.bin	Oval Pull – 6" CTC	\$37

NOTE: Pulls use 8-32 x 1" screws and mount on .75" thick doors/cabinets.

PACKED: All bags are coded with product number, description and UPC code.

4964, 4946 Colonial Pull

4964



4946



Finish: 003, 031, 044, 055, 112, 150, 190, 260

ITEM #	DESCRIPTION	Price
4964.xxx.bin	Colonial Pull – 4" CTC	\$41
4946.xxx.bin	Colonial Pull – 6" CTC	\$52

NOTE: Pulls use 8-32 x 1" screws and mount on .75" thick doors/cabinets.

PACKED: All bags are coded with product number, description and UPC code.

4362, 4364, 4365, 4395
Severin Fayerman Collection B Pulls

4362



4395



4364



4365



Finish: 003, 031, 044, 055, 112, 150, 190, 260

Item #	Description	Price
4362.xxx.bin	Severin B Pull - 4" CTC	\$44
4395.xxx.bin	Severin B Pull - 6" CTC	\$52
4364.xxx	Severin B Pull - 12" CTC	\$210
4365.xxx	Severin B Appliance Pull - 18" CTC	\$345

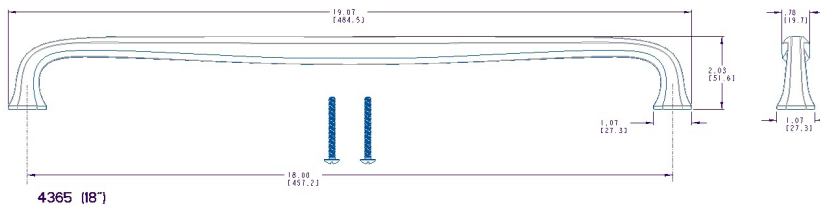
NOTE: 4" and 6" Pulls use 8-32 x 1" screws and mount on .75" thick doors/cabinets.

12" and 18" Pulls use 10-24 x 1.3" screws and mount on doors between .75" to 1" thick.

PACKED: All bags are coded with product number, description and UPC code.

12" and 18" Pulls ship one pull and screw pack in a box, and coded with product number, description and UPC code.

Dimensions	Mount CTC	Face Width	Face Height
4364	12"	12.9"	0.9"
4365	18"	19.1"	1.07"



4926, 4927 Contemporary Back Plate



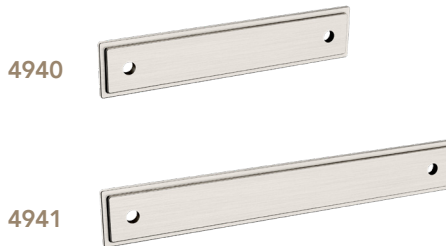
Finish: 003, 031, 044, 055, 112, 150, 190, 260

ITEM #	DESCRIPTION	Price
4926.xxx.bin	Cont. Back Plate – 4" CTC	\$22
4927.xxx.bin	Cont. Back Plate – 6" CTC	\$27

NOTE: Pair with any 4" or 6" CTC pull.

PACKED: All bags are coded with product number, description and UPC code.

4940, 4941 Transitional Back Plate



Finish: 003, 031, 044, 055, 112, 150, 190, 260

ITEM #	DESCRIPTION	Price
4940.xxx.bin	Trans. Back Plate – 4" CTC	\$22
4941.xxx.bin	Trans. Back Plate – 6" CTC	\$27

NOTE: Pair with any 4" or 6" CTC pull.

PACKED: All bags are coded with product number, description and UPC code.

4902 Knob Back Plate



Finish: 003, 031, 044, 055, 112, 150, 190, 260

Item #	Description	Price
4902.xxx.bin	Knob Back Plate – 1.5" d.	\$17

PACKED: In individual polybags. All bags are coded with product number, description and UPC code.

Adjustable Passage & Privacy Latches



5540.033
Passage Adjustable Latch



5540.033
Privacy Adjustable Latch

Finish: 003, 031, 033, 044, 050, 055, 056, 060, 076, 102, 112, 190, 260

Passage Latches

Item #	Description	Backset	Price
5540.xxx	Passage Adjustable Latch	2.375" and 2.75"	\$89
5540.xxx.P	Privacy Adjustable Latch	2.375" and 2.75"	\$89

Latches NOT available in Distressed finishes, non-distressed equivalents 402=102

ALL INTERIOR LATCHES:

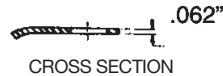
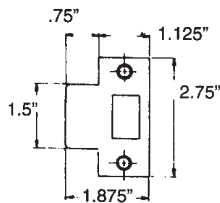
- Hub rotation only 28° for easy turning
- Non-handed latches (reversible)
- Fully adjustable fronts for use on beveled doors
- Bolt head features anti-friction insert for smooth operation
- Adjust backset from 2.375" to 2.75"

INCLUDED WITH INTERIOR LATCHES:

- T-Strike
- Full-Lip Strike
- 3.75" spindle
- Universal Dust Box (8515.000)
- Privacy Button (with Privacy Latches)
- Wood fasteners and template

5510.TSTR – Standard Box Strike (T Strike)

Included with all Passage & Privacy Latches



Finish: 003, 031, 033, 044, 055, 056, 050, 060, 076, 102, 112, 190, 260

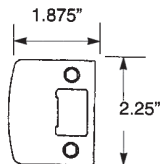
Item #	Description	Price
5510.xxx.TSTR	Standard Box Strike (Included with all Passage & Privacy Latches)	\$24

LIP TO CENTER DIMENSION (LTC): 1.312" (33mm)

DUST BOX: furnished unattached (5510.000.TSTR)

TEMPLATE: metal frames to be prepared in accordance with ANSI standard A115.2

5300.EFLS – Extended full lip strike (ONLY SIZE AVAILABLE)



Finish: 003, 031, 033, 044, 050, 055, 056, 060, 076, 102, 112, 190, 260, 402

Item #	Description	Price
5300.xxx.EFLS	Extended Full Lip Strike	\$24

For 2" (51mm) and 2.25" (57mm) thick doors or when trim condition necessitates a larger strike. Can also be used with Estate handlesets and interior sets

LTC: 1.375" (35mm)

**5399 – Thick Door Kits
for New Mechanics**

Finish: 003, 031, 044, 050, 055, 056 076, 102, 112, 190, 260

Item #	Adjustable Backset	Std. Box	Wt.	Price
5399.xxx.A	For all Sectional and Escutcheon Single Cylinder Entrance function handlesets and all Evolved products to fit 2" & 2 1/4" thick door	1	0.3	\$70
5399.xxx.B	For all Sectional and Escutcheon Double Cylinder Entrance handlesets to fit 2" & 2 1/4" thick doors	1	0.4	\$70
5399.xxx.C	For all Emergency Egress function handlesets to fit 2" & 2 1/4" thick doors	1	0.3	\$70
5399.xxx.D	For all Full Dummy handle functions -- Sectional, Escutcheon and Emergency Egress to fit 2" & 2 1/4" thick doors	1	0.1	\$24

FEATRUES: Each conversion kit includes tailpieces (if necessary), thru-bolts, strike plate, and instructions for modifying sets for use on doors either 2" (51mm) or 2 1/4" (57mm) in thickness. (Must specify finish)

WEIGHT: 2.1 lbs. (.09kg)

**5399 – Repair Door Kits
for New Mechanics**

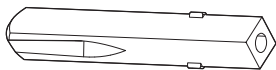
Finish: 003, 050, 056, 076, 102 112, 190, 260

Item #	Adjustable Backset	Std. Box	Wt.	Price
5399.xxx.G	For active Sectional and Escutcheon handlesets with Interior Knobs including Single Cylinder (ENTR) and Double Cylinder (DBLC) sets	1	1.1	\$70
5399.xxx.H	For active Sectional and Escutcheon handlesets with Interior Levers including Single Cylinder (LHRH) and Double Cylinder (LRDB) sets	1	1.3	\$70
5399.xxx.K	For Full Dummy (FD or LRFD) Sectional, Escutcheon, and Emergency Egress handlesets with a Traditional oval thumbpiece including Interior Knobs or Levers	1	0.7	\$54
5399.xxx.M	For active Emergency Egress handlesets (ENTR) with an oval egress cartridge, a Traditional oval thumbpiece, and an Interior Knob	1	2.0	\$70
5399.xxx.N	For active Emergency Egress handlesets (LENT or RENT) with a rectangular egress cartridge, a Traditional oval thumbpiece, and an Interior Lever	1	2.0	\$70

NOTE: All parts must be installed for proper lock function.

**0531, 0533, & 0539 Broached Half Spindles
– Front Door**

(Thumbpiece to Knob or Lever)



ITEM #	DESCRIPTION	SIZE	Price
0531.004	Broached half	2.875"	
0533.004	Broached half	2.25"	\$18
0539.004	Broached half	2.625"	

For mounting all current Estate knobs and levers to thumbpiece of handlesets. Included with all 'set' ordersde.

BALDWIN®

TO VIEW DIGITAL PRICE BOOK, SCAN HERE



19701 DA VINCI, LAKE FOREST, CALIFORNIA 92610

800.437.7448 · BALDWINHARDWARE.COM