

BALDWIN®



ESTATE™

QUICK SHIP PROGRAM NOVEMBER 2022



QUICK SHIP



BALDWIN ESTATE

B

TABLE OF CONTENTS

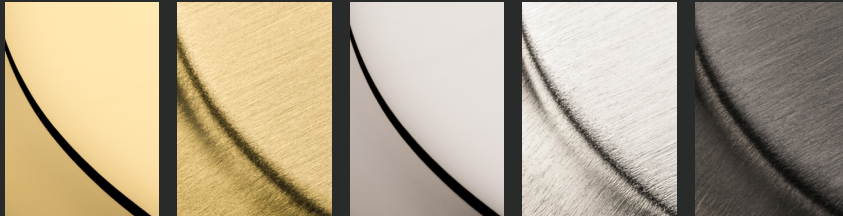
Pre-Configured Knobs.....	8-12
Pre-Configured Levers.....	13-20
Keyed Entry Knobs.....	21-22
Keyed Entry Levers.....	23
Touchscreen.....	24-25
Tubular Handlesets.....	26-32
Mortise Handleset Trims.....	33-36
Mortise Locks.....	37-38
Deadbolts.....	39-40
Pocket Doors.....	41
Hinges.....	42-43
General Hardware.....	44-50
Cabinet Hardware.....	51-69
Miscellaneous Parts.....	70-71

finishes

Baldwin has simplified our finish offering to single tier pricing. All Baldwin Estate finishes are now offered at the same price, making it easier to select the perfect finish for your project.

With a wide spectrum of richly detailed, designer finishes and textures, Baldwin stands alone as the finish leader. Baldwin finishes are meticulously crafted of the finest materials offered in a broad array of Living, Lifetime, and Lacquered finishes.

LIFETIME PVD FINISHES



003

Lifetime (PVD)
Polished Brass

044

Lifetime (PVD)
Satin Brass

055

Lifetime (PVD)
Polished Nickel

056

Lifetime (PVD)
Satin Nickel

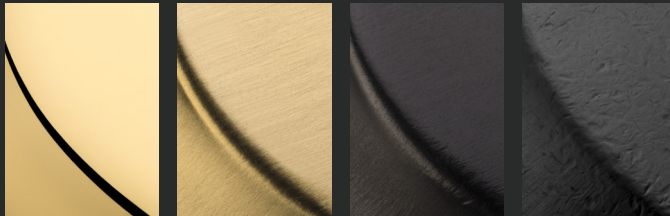
076

Lifetime (PVD)
Graphite Nickel

NEW 076 LIFETIME PVD
GRAPHITE NICKEL FINISH

Available to order February 2023.

LIVING FINISHES



031

Non-lacquered
Brass

033

Vintage Brass

102

Oil Rubbed Bronze

402

Distressed Oil
Rubbed Bronze

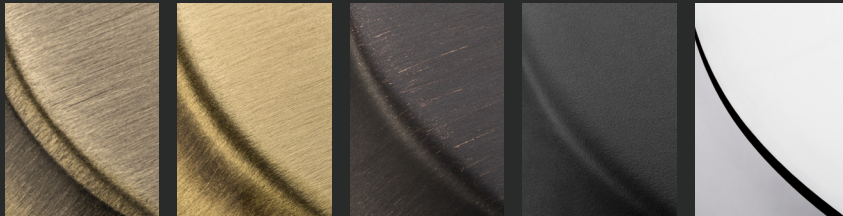
LIVING FINISH

(031, 033, 102, 402)

Product finishes which are LIVING will vary over time.

They are not eligible for finish warranty.

NON-LIVING FINISHES



050

Satin Brass & Black

060

Satin Brass & Brown

112

Venetian Bronze

190

Satin Black

260

Polished Chrome

HAND-RELIEVED FINISH VARIANCES:

(050, 060, 112, 151)

Product finishes which are HAND RELIEVED

may vary in luster, hue and appearance

as a result of handcrafted variances

in the final finishing step.

151 Antique Nickel will become available while
supplies last effective February 2023.



151

Antique Nickel

BALDWIN #	US #	BHMA #
003 =	3	-
044 =	4	606
050 =	5	609
056 =	15	-
102 =	10B	613
190 =	19	622
260 =	26	625

YOU ASKED FOR IT AND WE HEARD YOU!

Baldwin is thrilled to announce the expansion of our Quick Ship program to include the new 076 Lifetime PVD Graphite Nickel finish into Quick Ship, including pre-configured knobs and lever combinations to satisfy all varieties of design preferences. Now over 5,200 products are available through the Baldwin Quick Ship program and customers will be delighted to know their order will be processed and shipped within five business days after order confirmation.

The days of waiting weeks for your Baldwin order are over! Your favorite styles and finishes are now ready to ship in only five business days from the time the order is placed. All offerings come complete with everything you need for installation in one box, ready to install! Quick Ship offers our most popular styles, finishes and products across all categories, including keyed entry, handlesets, pocket door locks, deadbolts, cabinet hardware and general hardware. Choose from your favorite styles and finishes to create the perfect look, and do it with confidence knowing they will ship in 5 business days.

BALDWIN®

a Reflection of you



Available Quick Ship styles & functions are marked with the Quick Ship logo and red font throughout the price book.



- Available in Passage, Privacy, Full Dummy & Half Dummy Functions
- Sets include knob(s) and rosette(s)
- 2-3/8" Backset Latch & 2-1/8" Pre-Drilled Door Adaptor Included for Passage & Privacy Functions
- Works with 1-3/8" and 1-3/4" Thick Doors"

5000 Knob w/ 5048 Rose



003	031	044	033
260	055	056	
102	112	190	

5011 Knob w/ 5058 Rose



003	031	044	033
260	055	056	
102	112	190	

5013 Knob w/ 5021 Rose



003	031	044	033
260	055	056	
102	112	190	

5015 Classic Knob w/ 5048 Rose



003	031	044	033
260	055	056	
102	112	190	

5020 Colonial Knob w/ 5048 Rose



003	031	044	033
260	055	056	
102	112	190	

5023 Knob w/ R016 Rose



003	031	044	033
260	055	056	
102	112	190	

5024 Knob w/ R030 Rose



112	102	190	402
-----	-----	-----	-----

5025 Egg Knob w/ 5048 Rose



003	031	044	033
260	055	056	
102	112	190	

5030 Knob w/ 5048 Rose



003	031	044	033
260	055	056	
102	112	190	

5041 Knob w/ 5046 Rose



102	112	190	044
055	056	260	

5055 Knob w/ 5046 Rose



102	112	190	044
055	056	260	

5057 Knob w/ 5048 Rose



003	031	044	033
260	055	056	
102	112	190	

5064 Knob w/ 5004 Rose



003	031	044	033
260	055	056	
102	112	190	

5066 Knob w/ 5078 Rose



003	031	044	033
260	055	056	
102	112	190	

5068 Knob w/ 5070 Rose



003	031	044	033
260	055	056	
102	112	190	

5069 Knob w/ 5076 Rose



003	031	044	033
260	055	056	
102	112	190	

5073 Knob w/ 5046 Rose



102	112	190	044
055	056	260	

5077 Knob w/ R027 Rose



003	031	044	033
260	055	056	
102	112	190	

5080 Filmore Knob w/ 5048 Rose



030	112	102	260
140	150		

K007 Hollywood Hills Knob
w/ R050 Rose



003	031	044	033
260	055	056	
102	112	190	

K008 Hollywood Hills Knob
w/ R050 Rose



003	031	044	033
260	055	056	
102	112	190	

K009 Hollywood Hills Knob
w/ R050 Rose



003	031	044	033
260	055	056	
102	112	190	

K012 Knob w/ 5078 Rose



003	031	044	033
055	056	260	
102	112	190	



NEW TO QUICK SHIP!

PRE-CONFIGURED
LEVERS

- Available in Passage, Privacy, Full Dummy & Half Dummy Functions
- Sets include lever(s) and rosette(s)
- 2-3/8" Backset Latch & 2-1/8" Pre-Drilled Door Adaptor Included for Passage & Privacy Functions
- Works with 1-3/8" and 1-3/4" Thick Doors"

5103 Lever w/ 5048 Rose



003	031	044	033
102	112	190	
055	056	260	

5104 Lever w/ 5004 Rose



003	031	044	033
102	112	190	
055	056	260	

5105 Lever w/ 5046 Rose



044	102	190	055
056	260		

5106 Lever w/ 5048 Rose



003	031	044	033
102	112	190	
055	056	260	

5108 Lever w/ 5048 Rose



003	031	044	033
102	112	190	
055	056	260	

5112 Lever w/ 5075 Rose



003	031	044	033
102	112	190	
055	056	260	

5113 Lever w/ 5078 Rose



003	031	044	033
102	112	190	
055	056	260	

5116 Lever w/ 5070 Rose



003	031	044	033
102	112	190	
055	056	260	

5118 Lever w/ 5076 Rose



003	031	044	033
102	112	190	
055	056	260	

5121 Lever w/ R012 Rose



003	031	044	033
102	112	190	
055	056	260	

5122 Lever w/ 5021 Rose



003	031	044	033
102	112	190	
055	056	260	

5125 Lever w/ 5048 Rose



003	031	044	033
102	112	190	
055	056	260	

5137 Lever w/ 5046 Rose



044	102	112	190
055	056	260	

5138 Lever w/ 5047 Rose



044	102	112	190
055	056	260	

5141 Lever w/ R033 Rose



003	031	044	033
102	112	190	
055	056	260	

5152 Lever w/ 5048 Rose



003	031	044	033
102	112	190	
055	056	260	

5161 Lever w/ 5046 Rose



044	102	112	190
055	056	260	

5162 Lever w/ R017 Rose



044	102	112	190
055	056	260	

5164 Lever w/ 5046 Rose



044	102	112	190
055	056	260	

5165 Lever w/ 5046 Rose



044	102	190	055
056	260		

5166 Lever w/ 5046 Rose



044	102	112	190
055	056	260	

5173 Lever w/ 5046 Rose



044	102	112	190
055	056	260	

5190 Lever w/ R017 Rose



003	031	044	033
102	112	190	
055	056	260	

5445V Classic
Lever w/ 5048 Rose



003	031	044	033
102	112	190	
055	056	260	

5447V Bethpage
Lever w/ R027 Rose



003	031	044	033
102	112	190	
055	056	260	

5452V Beavertail
Lever w/ R030 Rose



112	102	190	402
-----	-----	-----	-----

5455V Wave
Lever w/ 5048 Rose



003	031	044	033
102	112	190	
055	056	260	

5485V Soho
Lever w/ R026 Rose



044	102	112	190
055	056	260	

L015 Lever w/ R016 Rose



044	102	112	190
055	056	260	

L021 Lever w/ R017 Rose



044	102	112	190
055	056	260	

L022 Lever w/ R017 Rose



044	102	112	190
055	056	260	

L023 Lever w/ R017 Rose



044	102	112	190
055	056	260	

L024 Lever w/ R046 Rose



003	031	044	033
102	112	190	
055	056	260	

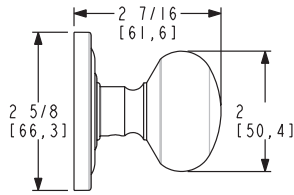
L029 Lever w/ R017 Rose



003	031	044	033
102	112	190	
055	056	260	

PRE-CONFIGURED SETS

5000 Knob w/ 5048 Rose
Passage, Privacy & Dummy

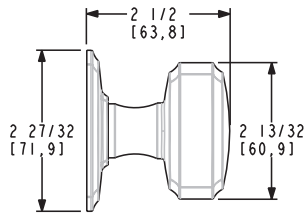


003, 031, 033, 044
055, 056, 076*, 102
112, 190, 260

ITEM #	DESCRIPTION	
5000.xxx.FD	Full Dummy	\$277
5000.xxx.IDM	Half Dummy	\$134
5000.xxx.PASS	Passage: 2 3/8" backset	\$352
5000.xxx.PRIV	Privacy: 2 3/8" backset	

- Works with 1-3/8" and 1-3/4" thick doors
- PASS and PRIV functions ship with full lip strike and Pre-Drilled Door Adaptor
- QuickShip is only available with 2 3/8" backset latch. See 2 3/4" latch options on page 63.
- Ships with a Full Lip Strike. See T-Strike options on page 63.

5011 Knob w/ 5058 Rose
Passage, Privacy & Dummy

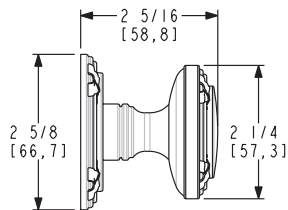


003, 031, 033, 044
055, 056, 076*, 102
112, 190, 260

ITEM #	DESCRIPTION	
5011.xxx.FD	Full Dummy	\$283
5011.xxx.IDM	Half Dummy	\$140
5011.xxx.PASS	Passage: 2 3/8" backset	\$363
5011.xxx.PRIV	Privacy: 2 3/8" backset	

- Works with 1-3/8" and 1-3/4" thick doors
- PASS and PRIV functions ship with full lip strike and Pre-Drilled Door Adaptor
- QuickShip is only available with 2 3/8" backset latch. See 2 3/4" latch options on page 63.
- Ships with a Full Lip Strike. See T-Strike options on page 63.

5013 Knob w/ 5021 Rose
Passage, Privacy & Dummy

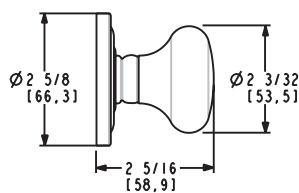


003, 031, 033, 044
055, 056, 076*, 102
112, 190, 260

ITEM #	DESCRIPTION	
5013.xxx.FD	Full Dummy	\$277
5013.xxx.IDM	Half Dummy	\$134
5013.xxx.PASS	Passage: 2 3/8" backset	\$352
5013.xxx.PRIV	Privacy: 2 3/8" backset	

- Works with 1-3/8" and 1-3/4" thick doors
- PASS and PRIV functions ship with full lip strike and Pre-Drilled Door Adaptor
- QuickShip is only available with 2 3/8" backset latch. See 2 3/4" latch options on page 63.
- Ships with a Full Lip Strike. See T-Strike options on page 63.

5015 Knob w/ 5048 Rose
Passage, Privacy & Dummy

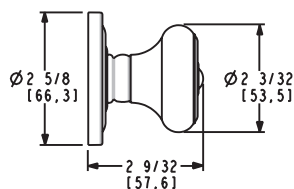


003, 031, 033, 044
055, 056, 076*, 102
112, 190, 260

ITEM #	DESCRIPTION	
5015.xxx.FD	Full Dummy	\$243
5015.xxx.IDM	Half Dummy	\$122
5015.xxx.PASS	Passage: 2 3/8" backset	\$295
5015.xxx.PRIV	Privacy: 2 3/8" backset	

- Works with 1-3/8" and 1-3/4" thick doors
- PASS and PRIV functions ship with full lip strike and Pre-Drilled Door Adaptor
- QuickShip is only available with 2 3/8" backset latch. See 2 3/4" latch options on page 63.
- Ships with a Full Lip Strike. See T-Strike options on page 63.

5020 Colonial Knob w/ 5048 Rose
Passage, Privacy & Dummy



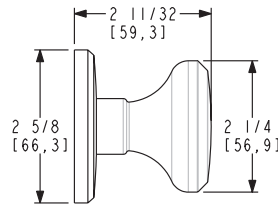
003, 031, 033, 044
055, 056, 076*, 102
112, 190, 260

ITEM #	DESCRIPTION	
5020.xxx.FD	Full Dummy	\$243
5020.xxx.IDM	Half Dummy	\$122
5020.xxx.PASS	Passage: 2 3/8" backset	\$295
5020.xxx.PRIV	Privacy: 2 3/8" backset	

- Works with 1-3/8" and 1-3/4" thick doors
- PASS and PRIV functions ship with full lip strike and Pre-Drilled Door Adaptor
- QuickShip is only available with 2 3/8" backset latch. See 2 3/4" latch options on page 63.
- Ships with a Full Lip Strike. See T-Strike options on page 63.

*076 finish available February 2023.

5023 Knob w/ R016 Rose
Passage, Privacy & Dummy

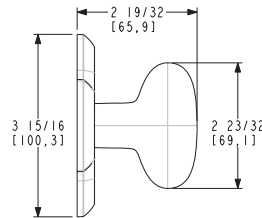


003, 031, 033, 044
055, 056, 076*, 102
112, 190, 260

ITEM #	DESCRIPTION	
5023.xxx.FD	Full Dummy	\$234
5023.xxx.IDM	Half Dummy	\$115
5023.xxx.PASS	Passage: 2 3/8" backset	\$314
5023.xxx.PRIV	Privacy: 2 3/8" backset	

- Works with 1-3/8" and 1-3/4" thick doors
- PASS and PRIV functions ship with full lip strike and Pre-Drilled Door Adaptor
- QuickShip is only available with 2 3/8" backset latch. See 2 3/4" latch options on page 63.
- Ships with a Full Lip Strike. See T-Strike options on page 63.

5024 Knob w/ R030 Rose
Passage, Privacy & Dummy

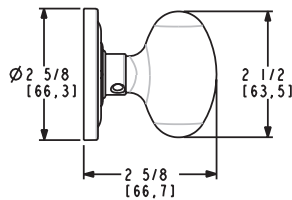


102, 112, 190, 402

ITEM #	DESCRIPTION	
5024.xxx.FD	Full Dummy	\$234
5024.xxx.IDM	Half Dummy	\$115
5024.xxx.PASS	Passage: 2 3/8" backset	\$314
5024.xxx.PRIV	Privacy: 2 3/8" backset	

- Works with 1-3/8" and 1-3/4" thick doors
- PASS and PRIV functions ship with full lip strike and Pre-Drilled Door Adaptor
- QuickShip is only available with 2 3/8" backset latch. See 2 3/4" latch options on page 63.
- Ships with a Full Lip Strike. See T-Strike options on page 63.

5025 Egg Knob w/ 5048 Rose
Passage, Privacy & Dummy

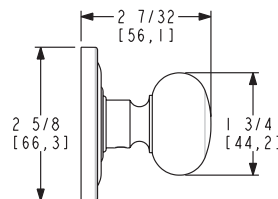


003, 031, 033, 044
055, 056, 076*, 102
112, 190, 260

ITEM #	DESCRIPTION	
5025.xxx.FD	Full Dummy	\$243
5025.xxx.IDM	Half Dummy	\$122
5025.xxx.PASS	Passage: 2 3/8" backset	\$295
5025.xxx.PRIV	Privacy: 2 3/8" backset	

- Works with 1-3/8" and 1-3/4" thick doors
- PASS and PRIV functions ship with full lip strike and Pre-Drilled Door Adaptor
- QuickShip is only available with 2 3/8" backset latch. See 2 3/4" latch options on page 63.
- Ships with a Full Lip Strike. See T-Strike options on page 63.

5030 Knob w/ 5048 Rose
Passage, Privacy & Dummy

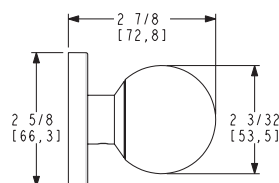


003, 031, 033, 044
055, 056, 076*, 102
112, 190, 260

ITEM #	DESCRIPTION	
5030.xxx.FD	Full Dummy	\$277
5030.xxx.IDM	Half Dummy	\$134
5030.xxx.PASS	Passage: 2 3/8" backset	\$352
5030.xxx.PRIV	Privacy: 2 3/8" backset	

- Works with 1-3/8" and 1-3/4" thick doors
- PASS and PRIV functions ship with full lip strike and Pre-Drilled Door Adaptor
- QuickShip is only available with 2 3/8" backset latch. See 2 3/4" latch options on page 63.
- Ships with a Full Lip Strike. See T-Strike options on page 63.

5041 Knob w/ 5046 Rose
Passage, Privacy & Dummy



044, 055, 056, 076*
102, 112, 190, 260

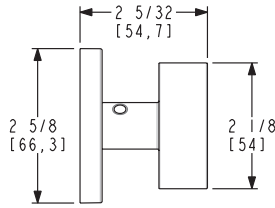
ITEM #	DESCRIPTION	
5041.xxx.FD	Full Dummy	\$234
5041.xxx.IDM	Half Dummy	\$115
5041.xxx.PASS	Passage: 2 3/8" backset	\$314
5041.xxx.PRIV	Privacy: 2 3/8" backset	

- Works with 1-3/8" and 1-3/4" thick doors
- PASS and PRIV functions ship with full lip strike and Pre-Drilled Door Adaptor
- QuickShip is only available with 2 3/8" backset latch. See 2 3/4" latch options on page 63.
- Ships with a Full Lip Strike. See T-Strike options on page 63.

PRE-CONFIGURED SETS

5055 Knob w/ 5046 Rose

Passage, Privacy & Dummy

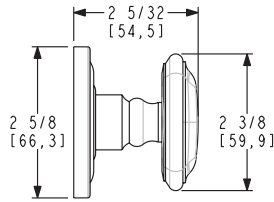


ITEM #	DESCRIPTION	044, 055, 056, 076* 102, 112, 190, 260
5055.xxx.FD	Full Dummy	\$277
5055.xxx.IDM	Half Dummy	\$134
5055.xxx.PASS	Passage: 2 3/8" backset	\$352
5055.xxx.PRIV	Privacy: 2 3/8" backset	

- Works with 1-3/8" and 1-3/4" thick doors
- PASS and PRIV functions ship with full lip strike and Pre-Drilled Door Adaptor
- QuickShip is only available with 2 3/8" backset latch. See 2 3/4" latch options on page 63.
- Ships with a Full Lip Strike. See T-Strike options on page 63.

5057 Knob w/ 5048 Rose

Passage, Privacy & Dummy

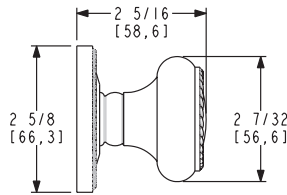


ITEM #	DESCRIPTION	003, 031, 033, 044 055, 056, 076*, 102 112, 190, 260
5057.xxx.FD	Full Dummy	\$277
5057.xxx.IDM	Half Dummy	\$134
5057.xxx.PASS	Passage: 2 3/8" backset	\$352
5057.xxx.PRIV	Privacy: 2 3/8" backset	

- Works with 1-3/8" and 1-3/4" thick doors
- PASS and PRIV functions ship with full lip strike and Pre-Drilled Door Adaptor
- QuickShip is only available with 2 3/8" backset latch. See 2 3/4" latch options on page 63.
- Ships with a Full Lip Strike. See T-Strike options on page 63.

5064 Knob w/ 5004 Rose

Passage, Privacy & Dummy

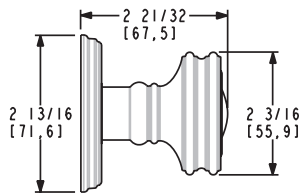


ITEM #	DESCRIPTION	003, 031, 033, 044 055, 056, 076*, 102 112, 190, 260
5064.xxx.FD	Full Dummy	\$277
5064.xxx.IDM	Half Dummy	\$134
5064.xxx.PASS	Passage: 2 3/8" backset	\$352
5064.xxx.PRIV	Privacy: 2 3/8" backset	

- Works with 1-3/8" and 1-3/4" thick doors
- PASS and PRIV functions ship with full lip strike and Pre-Drilled Door Adaptor
- QuickShip is only available with 2 3/8" backset latch. See 2 3/4" latch options on page 63.
- Ships with a Full Lip Strike. See T-Strike options on page 63.

5066 Knob w/ 5078 Rose

Passage, Privacy & Dummy

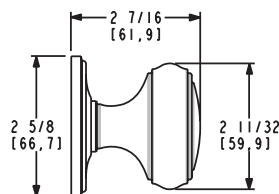


ITEM #	DESCRIPTION	003, 031, 033, 044 055, 056, 076*, 102 112, 190, 260
5066.xxx.FD	Full Dummy	\$283
5066.xxx.IDM	Half Dummy	\$140
5066.xxx.PASS	Passage: 2 3/8" backset	\$363
5066.xxx.PRIV	Privacy: 2 3/8" backset	

- Works with 1-3/8" and 1-3/4" thick doors
- PASS and PRIV functions ship with full lip strike and Pre-Drilled Door Adaptor
- QuickShip is only available with 2 3/8" backset latch. See 2 3/4" latch options on page 63.
- Ships with a Full Lip Strike. See T-Strike options on page 63.

5068 Knob w/ 5070 Rose

Passage, Privacy & Dummy

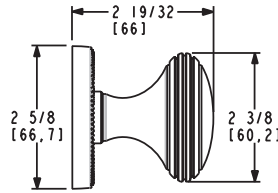


ITEM #	DESCRIPTION	003, 031, 033, 044 055, 056, 076*, 102 112, 190, 260
5068.xxx.FD	Full Dummy	\$283
5068.xxx.IDM	Half Dummy	\$140
5068.xxx.PASS	Passage: 2 3/8" backset	\$363
5068.xxx.PRIV	Privacy: 2 3/8" backset	

- Works with 1-3/8" and 1-3/4" thick doors
- PASS and PRIV functions ship with full lip strike and Pre-Drilled Door Adaptor
- QuickShip is only available with 2 3/8" backset latch. See 2 3/4" latch options on page 63.
- Ships with a Full Lip Strike. See T-Strike options on page 63.

*076 finish available February 2023.

5069 Knob w/ 5076 Rose
Passage, Privacy & Dummy

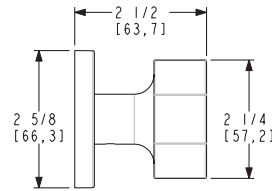


003, 031, 033, 044
055, 056, 076*, 102
112, 190, 260

ITEM #	DESCRIPTION	
5069.xxx.FD	Full Dummy	\$283
5069.xxx.IDM	Half Dummy	\$140
5069.xxx.PASS	Passage: 2 3/8" backset	
5069.xxx.PRIV	Privacy: 2 3/8" backset	\$363

- Works with 1-3/8" and 1-3/4" thick doors
- PASS and PRIV functions ship with full lip strike and Pre-Drilled Door Adaptor
- QuickShip is only available with 2 3/8" backset latch. See 2 3/4" latch options on page 63.
- Ships with a Full Lip Strike. See T-Strike options on page 63.

5073 Knob w/ 5046 Rose
Passage, Privacy & Dummy

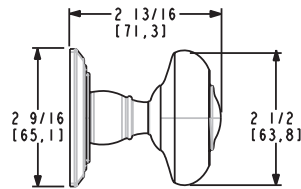


044, 055, 056, 076*
102, 112, 190, 260

ITEM #	DESCRIPTION	
5073.xxx.FD	Full Dummy	\$277
5073.xxx.IDM	Half Dummy	\$134
5073.xxx.PASS	Passage: 2 3/8" backset	
5073.xxx.PRIV	Privacy: 2 3/8" backset	\$352

- Works with 1-3/8" and 1-3/4" thick doors
- PASS and PRIV functions ship with full lip strike and Pre-Drilled Door Adaptor
- QuickShip is only available with 2 3/8" backset latch. See 2 3/4" latch options on page 63.
- Ships with a Full Lip Strike. See T-Strike options on page 63.

5077 Knob w/ R027 Rose
Passage, Privacy & Dummy

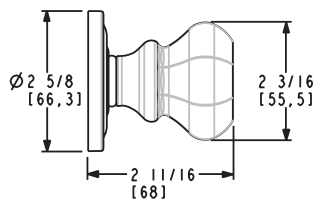


003, 031, 033, 044
055, 056, 076*, 102
112, 190, 260

ITEM #	DESCRIPTION	
5077.xxx.FD	Full Dummy	\$234
5077.xxx.IDM	Half Dummy	\$115
5077.xxx.PASS	Passage: 2 3/8" backset	
5077.xxx.PRIV	Privacy: 2 3/8" backset	\$314

- Works with 1-3/8" and 1-3/4" thick doors
- PASS and PRIV functions ship with full lip strike and Pre-Drilled Door Adaptor
- QuickShip is only available with 2 3/8" backset latch. See 2 3/4" latch options on page 63.
- Ships with a Full Lip Strike. See T-Strike options on page 63.

5080 Fillmore Knob w/ 5048 Rose
Passage, Privacy & Dummy



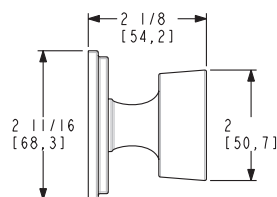
044, 055 & 190 Finishes Available January 2023

030, 044, 055
102, 112, 140
190, 260

ITEM #	DESCRIPTION	
5080.xxx.FD	Full Dummy	\$243
5080.xxx.IDM	Half Dummy	\$122
5080.xxx.PASS	Passage: 2 3/8" backset	
5080.xxx.PRIV	Privacy: 2 3/8" backset	\$295

- Works with 1-3/8" and 1-3/4" thick doors
- PASS and PRIV functions ship with full lip strike and Pre-Drilled Door Adaptor
- QuickShip is only available with 2 3/8" backset latch. See 2 3/4" latch options on page 63.
- Ships with a Full Lip Strike. See T-Strike options on page 63.

K007 Hollywood Hills Knob w/ R050 Rose
Passage, Privacy & Dummy



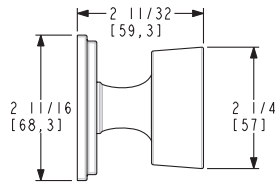
003, 031, 033, 044
055, 056, 076*, 102
112, 190, 260

ITEM #	DESCRIPTION	
K007.xxx.FD	Full Dummy	\$295
K007.xxx.IDM	Half Dummy	\$147
K007.xxx.PASS	Passage: 2 3/8" backset	
K007.xxx.PRIV	Privacy: 2 3/8" backset	\$375

- Works with 1-3/8" and 1-3/4" thick doors
- PASS and PRIV functions ship with full lip strike and Pre-Drilled Door Adaptor
- QuickShip is only available with 2 3/8" backset latch. See 2 3/4" latch options on page 63.
- Ships with a Full Lip Strike. See T-Strike options on page 63.

K008 Hollywood Hills Knob w/ R050 Rose

Passage, Privacy & Dummy



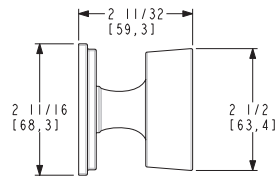
003, 031, 033, 044
055, 056, 076*, 102
112, 190, 260

ITEM #	DESCRIPTION	
K008.xxx.FD	Full Dummy	\$307
K008.xxx.IDM	Half Dummy	\$154
K008.xxx.PASS	Passage: 2 3/8" backset	\$387
K008.xxx.PRIV	Privacy: 2 3/8" backset	

- Works with 1-3/8" and 1-3/4" thick doors
- PASS and PRIV functions ship with full lip strike and Pre-Drilled Door Adaptor
- QuickShip is only available with 2 3/8" backset latch. See 2 3/4" latch options on page 63.
- Ships with a Full Lip Strike. See T-Strike options on page 63.

K009 Hollywood Hills Knob w/ R050 Rose

Passage, Privacy & Dummy



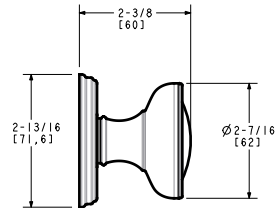
003, 031, 033, 044
055, 056, 076*, 102
112, 190, 260

ITEM #	DESCRIPTION	
K009.xxx.FD	Full Dummy	\$319
K009.xxx.IDM	Half Dummy	\$160
K009.xxx.PASS	Passage: 2 3/8" backset	\$399
K009.xxx.PRIV	Privacy: 2 3/8" backset	

- Works with 1-3/8" and 1-3/4" thick doors
- PASS and PRIV functions ship with full lip strike and Pre-Drilled Door Adaptor
- QuickShip is only available with 2 3/8" backset latch. See 2 3/4" latch options on page 63.
- Ships with a Full Lip Strike. See T-Strike options on page 63.

K012 Knob w/ 5078 Rose

Passage, Privacy & Dummy



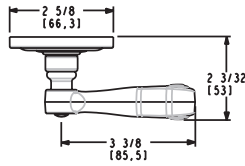
003, 031, 033
044, 055, 056, 076*
102, 112, 190, 260

ITEM #	DESCRIPTION	
K012.xxx.FD	Full Dummy	\$295
K012.xxx.IDM	Half Dummy	\$147
K012.xxx.PASS	Passage: 2 3/8" backset	\$375
K012.xxx.PRIV	Privacy: 2 3/8" backset	

- Works with 1-3/8" and 1-3/4" thick doors
- PASS and PRIV functions ship with full lip strike and Pre-Drilled Door Adaptor
- QuickShip is only available with 2 3/8" backset latch. See 2 3/4" latch options on page 63.
- Ships with a Full Lip Strike. See T-Strike options on page 63.

*076 finish available February 2023.

5103 Lever w/ 5048 Rose
Passage, Privacy & Dummy

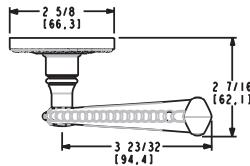


003, 031, 033, 044
055, 056, 076*, 102
112, 190, 260

ITEM #	DESCRIPTION	
5103.xxx.FD	Full Dummy	\$270
5103.xxx.RDM	RIGHT Hand Half Dummy	\$134
5103.xxx.LDM	LEFT Hand Half Dummy	\$134
5103.xxx.PASS	Passage: 2 3/8" backset	\$350
5103.xxx.PRIV	Privacy: 2 3/8" backset	\$350

- Works with 1-3/8" and 1-3/4" thick doors
- PASS and PRIV functions ship with full lip strike and Pre-Drilled Door Adaptor
- QuickShip is only available with 2 3/8" backset latch. See 2 3/4" latch options on page 63.
- Ships with a Full Lip Strike. See T-Strike options on page 63.

5104 Lever w/ 5004 Rose
Passage, Privacy & Dummy

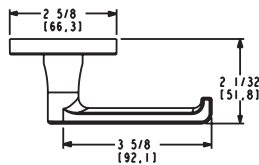


003, 031, 033, 044
055, 056, 076*, 102
112, 190, 260

ITEM #	DESCRIPTION	
5104.xxx.FD	Full Dummy	\$270
5104.xxx.RDM	RIGHT Hand Half Dummy	\$134
5104.xxx.LDM	LEFT Hand Half Dummy	\$134
5104.xxx.PASS	Passage: 2 3/8" backset	\$350
5104.xxx.PRIV	Privacy: 2 3/8" backset	\$350

- Works with 1-3/8" and 1-3/4" thick doors
- PASS and PRIV functions ship with full lip strike and Pre-Drilled Door Adaptor
- QuickShip is only available with 2 3/8" backset latch. See 2 3/4" latch options on page 63.
- Ships with a Full Lip Strike. See T-Strike options on page 63.

5105 Lever w/ 5046 Rose
Passage, Privacy & Dummy

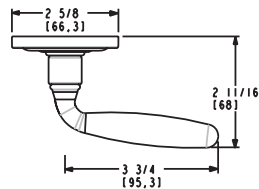


044, 055, 056, 076*
102, 112, 190, 260

ITEM #	DESCRIPTION	
5105.xxx.FD	Full Dummy	\$270
5105.xxx.RDM	RIGHT Hand Half Dummy	\$134
5105.xxx.LDM	LEFT Hand Half Dummy	\$134
5105.xxx.PASS	Passage: 2 3/8" backset	\$350
5105.xxx.PRIV	Privacy: 2 3/8" backset	\$350

- Works with 1-3/8" and 1-3/4" thick doors
- PASS and PRIV functions ship with full lip strike and Pre-Drilled Door Adaptor
- QuickShip is only available with 2 3/8" backset latch. See 2 3/4" latch options on page 63.
- Ships with a Full Lip Strike. See T-Strike options on page 63.

5106 Lever w/ 5048 Rose
Passage, Privacy & Dummy

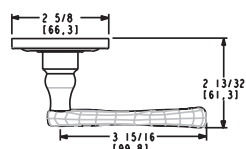


003, 031, 033, 044
055, 056, 076*, 102
112, 190, 260

ITEM #	DESCRIPTION	
5106.xxx.FD	Full Dummy	\$270
5106.xxx.RDM	RIGHT Hand Half Dummy	\$134
5106.xxx.LDM	LEFT Hand Half Dummy	\$134
5106.xxx.PASS	Passage: 2 3/8" backset	\$350
5106.xxx.PRIV	Privacy: 2 3/8" backset	\$350

- Works with 1-3/8" and 1-3/4" thick doors
- PASS and PRIV functions ship with full lip strike and Pre-Drilled Door Adaptor
- QuickShip is only available with 2 3/8" backset latch. See 2 3/4" latch options on page 63.
- Ships with a Full Lip Strike. See T-Strike options on page 63.

5108 Lever w/ 5048 Rose
Passage, Privacy & Dummy



003, 031, 033, 044
055, 056, 076*, 102
112, 190, 260

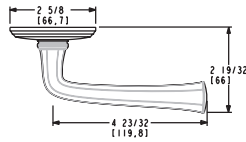
ITEM #	DESCRIPTION	
5108.xxx.FD	Full Dummy	\$270
5108.xxx.RDM	RIGHT Hand Half Dummy	\$134
5108.xxx.LDM	LEFT Hand Half Dummy	\$134
5108.xxx.PASS	Passage: 2 3/8" backset	\$350
5108.xxx.PRIV	Privacy: 2 3/8" backset	\$350

- Works with 1-3/8" and 1-3/4" thick doors
- PASS and PRIV functions ship with full lip strike and Pre-Drilled Door Adaptor
- QuickShip is only available with 2 3/8" backset latch. See 2 3/4" latch options on page 63.
- Ships with a Full Lip Strike. See T-Strike options on page 63.

*076 finish available February 2023.

5112 Lever w/ 5075 Rose

Passage, Privacy & Dummy

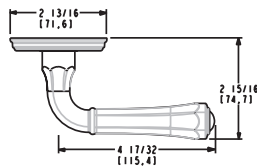
003, 031, 033, 044
055, 056, 076*, 102
112, 190, 260

ITEM #	DESCRIPTION	
5112.xxx.FD	Full Dummy	\$283
5112.xxx.RDM	RIGHT Hand Half Dummy	\$140
5112.xxx.LDM	LEFT Hand Half Dummy	\$140
5112.xxx.PASS	Passage: 2 3/8" backset	\$363
5112.xxx.PRIV	Privacy: 2 3/8" backset	\$363

- Works with 1-3/8" and 1-3/4" thick doors
- PASS and PRIV functions ship with full lip strike and Pre-Drilled Door Adaptor
- QuickShip is only available with 2 3/8" backset latch. See 2 3/4" latch options on page 63.
- Ships with a Full Lip Strike. See T-Strike options on page 63.

5113 Lever w/ 5078 Rose

Passage, Privacy & Dummy

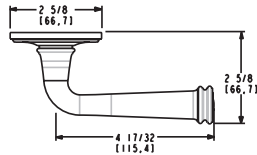
003, 031, 033, 044
055, 056, 076*, 102
112, 190, 260

ITEM #	DESCRIPTION	
5113.xxx.FD	Full Dummy	\$283
5113.xxx.RDM	RIGHT Hand Half Dummy	\$140
5113.xxx.LDM	LEFT Hand Half Dummy	\$140
5113.xxx.PASS	Passage: 2 3/8" backset	\$363
5113.xxx.PRIV	Privacy: 2 3/8" backset	\$363

- Works with 1-3/8" and 1-3/4" thick doors
- PASS and PRIV functions ship with full lip strike and Pre-Drilled Door Adaptor
- QuickShip is only available with 2 3/8" backset latch. See 2 3/4" latch options on page 63.
- Ships with a Full Lip Strike. See T-Strike options on page 63.

5116 Lever w/ 5070 Rose

Passage, Privacy & Dummy

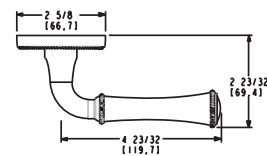
003, 031, 033, 044
055, 056, 076*, 102
112, 190, 260

ITEM #	DESCRIPTION	
5116.xxx.FD	Full Dummy	\$283
5116.xxx.RDM	RIGHT Hand Half Dummy	\$140
5116.xxx.LDM	LEFT Hand Half Dummy	\$140
5116.xxx.PASS	Passage: 2 3/8" backset	\$363
5116.xxx.PRIV	Privacy: 2 3/8" backset	\$363

- Works with 1-3/8" and 1-3/4" thick doors
- PASS and PRIV functions ship with full lip strike and Pre-Drilled Door Adaptor
- QuickShip is only available with 2 3/8" backset latch. See 2 3/4" latch options on page 63.
- Ships with a Full Lip Strike. See T-Strike options on page 63.

5118 Lever w/ 5076 Rose

Passage, Privacy & Dummy

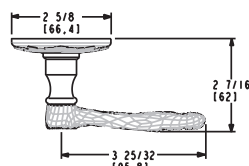
003, 031, 033, 044
055, 056, 076*, 102
112, 190, 260

ITEM #	DESCRIPTION	
5118.xxx.FD	Full Dummy	\$283
5118.xxx.RDM	RIGHT Hand Half Dummy	\$140
5118.xxx.LDM	LEFT Hand Half Dummy	\$140
5118.xxx.PASS	Passage: 2 3/8" backset	\$363
5118.xxx.PRIV	Privacy: 2 3/8" backset	\$363

- Works with 1-3/8" and 1-3/4" thick doors
- PASS and PRIV functions ship with full lip strike and Pre-Drilled Door Adaptor
- QuickShip is only available with 2 3/8" backset latch. See 2 3/4" latch options on page 63.
- Ships with a Full Lip Strike. See T-Strike options on page 63.

5121 Lever w/ R012 Rose

Passage, Privacy & Dummy

003, 031, 033, 044
055, 056, 076*, 102
112, 190, 260

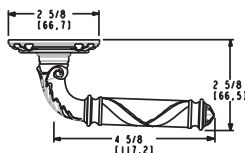
ITEM #	DESCRIPTION	
5121.xxx.FD	Full Dummy	\$315
5121.xxx.RDM	RIGHT Hand Half Dummy	\$158
5121.xxx.LDM	LEFT Hand Half Dummy	\$158
5121.xxx.PASS	Passage: 2 3/8" backset	\$395
5121.xxx.PRIV	Privacy: 2 3/8" backset	\$395

- Works with 1-3/8" and 1-3/4" thick doors
- PASS and PRIV functions ship with full lip strike and Pre-Drilled Door Adaptor
- QuickShip is only available with 2 3/8" backset latch. See 2 3/4" latch options on page 63.
- Ships with a Full Lip Strike. See T-Strike options on page 63.

*076 finish available February 2023.

5122 Lever w/ 5021 Rose

Passage, Privacy & Dummy

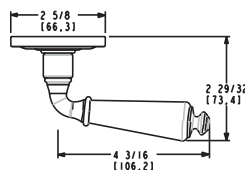
003, 031, 033, 044
055, 056, 076*, 102
112, 190, 260

ITEM #	DESCRIPTION	
5122.xxx.FD	Full Dummy	\$270
5122.xxx.RDM	RIGHT Hand Half Dummy	\$134
5122.xxx.LDM	LEFT Hand Half Dummy	\$134
5122.xxx.PASS	Passage: 2 3/8" backset	\$350
5122.xxx.PRIV	Privacy: 2 3/8" backset	\$350

- Works with 1-3/8" and 1-3/4" thick doors
- PASS and PRIV functions ship with full lip strike and Pre-Drilled Door Adaptor
- QuickShip is only available with 2 3/8" backset latch. See 2 3/4" latch options on page 63.
- Ships with a Full Lip Strike. See T-Strike options on page 63.

5125 Lever w/ 5048 Rose

Passage, Privacy & Dummy

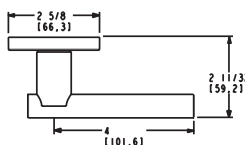
003, 031, 033, 044
055, 056, 076*, 102
112, 190, 260

ITEM #	DESCRIPTION	
5125.xxx.FD	Full Dummy	\$270
5125.xxx.RDM	RIGHT Hand Half Dummy	\$134
5125.xxx.LDM	LEFT Hand Half Dummy	\$134
5125.xxx.PASS	Passage: 2 3/8" backset	\$350
5125.xxx.PRIV	Privacy: 2 3/8" backset	\$350

- Works with 1-3/8" and 1-3/4" thick doors
- PASS and PRIV functions ship with full lip strike and Pre-Drilled Door Adaptor
- QuickShip is only available with 2 3/8" backset latch. See 2 3/4" latch options on page 63.
- Ships with a Full Lip Strike. See T-Strike options on page 63.

5137 Lever w/ 5046 Rose

Passage, Privacy & Dummy

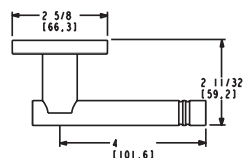
044, 055, 056, 076*
102, 112, 190, 260

ITEM #	DESCRIPTION	
5137.xxx.FD	Full Dummy	\$270
5137.xxx.RDM	RIGHT Hand Half Dummy	\$134
5137.xxx.LDM	LEFT Hand Half Dummy	\$134
5137.xxx.PASS	Passage: 2 3/8" backset	\$350
5137.xxx.PRIV	Privacy: 2 3/8" backset	\$350

- Works with 1-3/8" and 1-3/4" thick doors
- PASS and PRIV functions ship with full lip strike and Pre-Drilled Door Adaptor
- QuickShip is only available with 2 3/8" backset latch. See 2 3/4" latch options on page 63.
- Ships with a Full Lip Strike. See T-Strike options on page 63.

5138 Lever w/ 5047 Rose

Passage, Privacy & Dummy

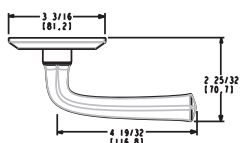
044, 055, 056, 076*
102, 112, 190, 260

ITEM #	DESCRIPTION	
5138.xxx.FD	Full Dummy	\$270
5138.xxx.RDM	RIGHT Hand Half Dummy	\$134
5138.xxx.LDM	LEFT Hand Half Dummy	\$134
5138.xxx.PASS	Passage: 2 3/8" backset	\$350
5138.xxx.PRIV	Privacy: 2 3/8" backset	\$350

- Works with 1-3/8" and 1-3/4" thick doors
- PASS and PRIV functions ship with full lip strike and Pre-Drilled Door Adaptor
- QuickShip is only available with 2 3/8" backset latch. See 2 3/4" latch options on page 63.
- Ships with a Full Lip Strike. See T-Strike options on page 63.

5141 Lever w/ R033 Rose

Passage, Privacy & Dummy

003, 031, 033, 044
055, 056, 076*, 102
112, 190, 260

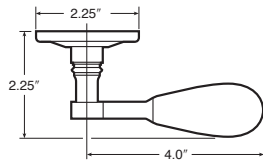
ITEM #	DESCRIPTION	
5141.xxx.FD	Full Dummy	\$283
5141.xxx.RDM	RIGHT Hand Half Dummy	\$140
5141.xxx.LDM	LEFT Hand Half Dummy	\$140
5141.xxx.PASS	Passage: 2 3/8" backset	\$363
5141.xxx.PRIV	Privacy: 2 3/8" backset	\$363

- Works with 1-3/8" and 1-3/4" thick doors
- PASS and PRIV functions ship with full lip strike and Pre-Drilled Door Adaptor
- QuickShip is only available with 2 3/8" backset latch. See 2 3/4" latch options on page 63.
- Ships with a Full Lip Strike. See T-Strike options on page 63.

*076 finish available February 2023.

5152 Lever w/ 5048 Rose

Passage, Privacy & Dummy

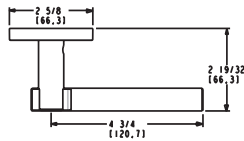
003, 031, 033
044, 055, 056, 076*
102, 112, 190, 260

ITEM #	DESCRIPTION	
5152.xxx.FD	Full Dummy	\$320
5152.xxx.RDM	RIGHT Hand Half Dummy	\$160
5152.xxx.LDM	LEFT Hand Half Dummy	
5152.xxx.PASS	Passage: 2 3/8" backset	\$350
5152.xxx.PRIV	Privacy: 2 3/8" backset	

- Works with 1-3/8" and 1-3/4" thick doors
- PASS and PRIV functions ship with full lip strike and Pre-Drilled Door Adaptor
- QuickShip is only available with 2 3/8" backset latch. See 2 3/4" latch options on page 63.
- Ships with a Full Lip Strike. See T-Strike options on page 63.

5161 Lever w/ 5046 Rose

Passage, Privacy & Dummy

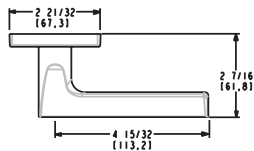
044, 055, 056, 076*
102, 112, 190, 260

ITEM #	DESCRIPTION	
5161.xxx.FD	Full Dummy	\$270
5161.xxx.RDM	RIGHT Hand Half Dummy	\$134
5161.xxx.LDM	LEFT Hand Half Dummy	
5161.xxx.PASS	Passage: 2 3/8" backset	\$350
5161.xxx.PRIV	Privacy: 2 3/8" backset	

- Works with 1-3/8" and 1-3/4" thick doors
- PASS and PRIV functions ship with full lip strike and Pre-Drilled Door Adaptor
- QuickShip is only available with 2 3/8" backset latch. See 2 3/4" latch options on page 63.
- Ships with a Full Lip Strike. See T-Strike options on page 63.

5162 Lever w/ R017 Rose

Passage, Privacy & Dummy

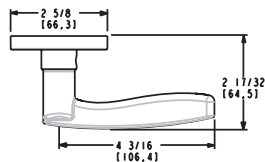
044, 055, 056, 076*
102, 112, 190, 260

ITEM #	DESCRIPTION	
5162.xxx.FD	Full Dummy	\$279
5162.xxx.RDM	RIGHT Hand Half Dummy	\$139
5162.xxx.LDM	LEFT Hand Half Dummy	
5162.xxx.PASS	Passage: 2 3/8" backset	\$329
5162.xxx.PRIV	Privacy: 2 3/8" backset	

- Works with 1-3/8" and 1-3/4" thick doors
- PASS and PRIV functions ship with full lip strike and Pre-Drilled Door Adaptor
- QuickShip is only available with 2 3/8" backset latch. See 2 3/4" latch options on page 63.
- Ships with a Full Lip Strike. See T-Strike options on page 63.

5164 Lever w/ 5046 Rose

Passage, Privacy & Dummy

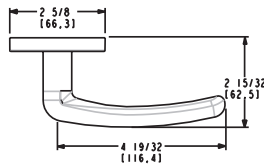
044, 055, 056, 076*
102, 112, 190, 260

ITEM #	DESCRIPTION	
5164.xxx.FD	Full Dummy	\$270
5164.xxx.RDM	RIGHT Hand Half Dummy	\$134
5164.xxx.LDM	LEFT Hand Half Dummy	
5164.xxx.PASS	Passage: 2 3/8" backset	\$350
5164.xxx.PRIV	Privacy: 2 3/8" backset	

- Works with 1-3/8" and 1-3/4" thick doors
- PASS and PRIV functions ship with full lip strike and Pre-Drilled Door Adaptor
- QuickShip is only available with 2 3/8" backset latch. See 2 3/4" latch options on page 63.
- Ships with a Full Lip Strike. See T-Strike options on page 63.

5165 Lever w/ 5046 Rose

Passage, Privacy & Dummy

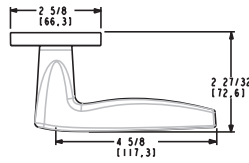


ITEM #	DESCRIPTION	044, 055, 056, 076* 102, 112, 190, 260
5165.xxx.FD	Full Dummy	\$270
5165.xxx.RDM	RIGHT Hand Half Dummy	\$134
5165.xxx.LDM	LEFT Hand Half Dummy	\$134
5165.xxx.PASS	Passage: 2 3/8" backset	\$350
5165.xxx.PRIV	Privacy: 2 3/8" backset	\$350

- Works with 1-3/8" and 1-3/4" thick doors
- PASS and PRIV functions ship with full lip strike and Pre-Drilled Door Adaptor
- QuickShip is only available with 2 3/8" backset latch. See 2 3/4" latch options on page 63.
- Ships with a Full Lip Strike. See T-Strike options on page 63.

5166 Lever w/ 5046 Rose

Passage, Privacy & Dummy

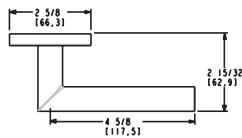


ITEM #	DESCRIPTION	044, 055, 056, 076* 102, 112, 190, 260
5166.xxx.FD	Full Dummy	\$270
5166.xxx.RDM	RIGHT Hand Half Dummy	\$134
5166.xxx.LDM	LEFT Hand Half Dummy	\$134
5166.xxx.PASS	Passage: 2 3/8" backset	\$350
5166.xxx.PRIV	Privacy: 2 3/8" backset	\$350

- Works with 1-3/8" and 1-3/4" thick doors
- PASS and PRIV functions ship with full lip strike and Pre-Drilled Door Adaptor
- QuickShip is only available with 2 3/8" backset latch. See 2 3/4" latch options on page 63.
- Ships with a Full Lip Strike. See T-Strike options on page 63.

5173 Lever w/ 5046 Rose

Passage, Privacy & Dummy

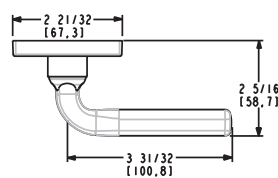


ITEM #	DESCRIPTION	044, 055, 056, 076* 102, 112, 190, 260
5173.xxx.FD	Full Dummy	\$270
5173.xxx.RDM	RIGHT Hand Half Dummy	\$134
5173.xxx.LDM	LEFT Hand Half Dummy	\$134
5173.xxx.PASS	Passage: 2 3/8" backset	\$350
5173.xxx.PRIV	Privacy: 2 3/8" backset	\$350

- Works with 1-3/8" and 1-3/4" thick doors
- PASS and PRIV functions ship with full lip strike and Pre-Drilled Door Adaptor
- QuickShip is only available with 2 3/8" backset latch. See 2 3/4" latch options on page 63.
- Ships with a Full Lip Strike. See T-Strike options on page 63.

5190 Lever w/ R017 Rose

Passage, Privacy & Dummy



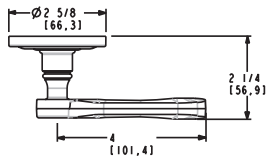
ITEM #	DESCRIPTION	003, 031, 033, 044 055, 056, 076*, 102 112, 190, 260
5190.xxx.FD	Full Dummy	\$270
5190.xxx.RDM	RIGHT Hand Half Dummy	\$134
5190.xxx.LDM	LEFT Hand Half Dummy	\$134
5190.xxx.PASS	Passage: 2 3/8" backset	\$350
5190.xxx.PRIV	Privacy: 2 3/8" backset	\$350

- Works with 1-3/8" and 1-3/4" thick doors
- PASS and PRIV functions ship with full lip strike and Pre-Drilled Door Adaptor
- QuickShip is only available with 2 3/8" backset latch. See 2 3/4" latch options on page 63.
- Ships with a Full Lip Strike. See T-Strike options on page 63.

PRE-CONFIGURED SETS

5445V Classic Lever w/ 5048 Rose

Passage, Privacy & Dummy

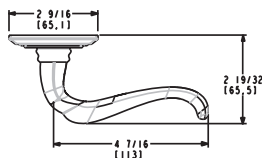
003, 031, 033, 044
055, 056, 076*, 102
112, 190, 260

ITEM #	DESCRIPTION	
5445V.xxx.FD	Full Dummy	\$243
5445V.xxx.RDM	RIGHT Hand Half Dummy	\$122
5445V.xxx.LDM	LEFT Hand Half Dummy	\$122
5445V.xxx.PASS	Passage: 2 3/8" backset	\$295
5445V.xxx.PRIV	Privacy: 2 3/8" backset	\$295

- Works with 1-3/8" and 1-3/4" thick doors
- PASS and PRIV functions ship with full lip strike and Pre-Drilled Door Adaptor
- QuickShip is only available with 2 3/8" backset latch. See 2 3/4" latch options on page 63.
- Ships with a Full Lip Strike. See T-Strike options on page 63.

5447V Bethpage Lever w/ R027 Rose

Passage, Privacy & Dummy

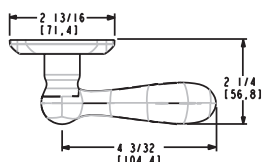
003, 031, 033, 044
055, 056, 076*, 102
112, 190, 260

ITEM #	DESCRIPTION	
5447V.xxx.FD	Full Dummy	\$243
5447V.xxx.RDM	RIGHT Hand Half Dummy	\$122
5447V.xxx.LDM	LEFT Hand Half Dummy	\$122
5447V.xxx.PASS	Passage: 2 3/8" backset	\$295
5447V.xxx.PRIV	Privacy: 2 3/8" backset	\$295

- Works with 1-3/8" and 1-3/4" thick doors
- PASS and PRIV functions ship with full lip strike and Pre-Drilled Door Adaptor
- QuickShip is only available with 2 3/8" backset latch. See 2 3/4" latch options on page 63.
- Ships with a Full Lip Strike. See T-Strike options on page 63.

5425V Beavertail Lever w/ R030 Rose

Passage, Privacy & Dummy



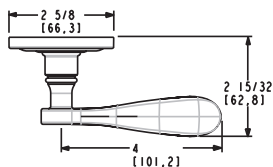
102, 112, 190, 402

ITEM #	DESCRIPTION	
5425V.xxx.FD	Full Dummy	\$243
5425V.xxx.RDM	RIGHT Hand Half Dummy	\$122
5425V.xxx.LDM	LEFT Hand Half Dummy	\$122
5425V.xxx.PASS	Passage: 2 3/8" backset	\$295
5425V.xxx.PRIV	Privacy: 2 3/8" backset	\$295

- Works with 1-3/8" and 1-3/4" thick doors
- PASS and PRIV functions ship with full lip strike and Pre-Drilled Door Adaptor
- QuickShip is only available with 2 3/8" backset latch. See 2 3/4" latch options on page 63.
- Ships with a Full Lip Strike. See T-Strike options on page 63.

5455V Wave Lever w/ 5048 Rose

Passage, Privacy & Dummy

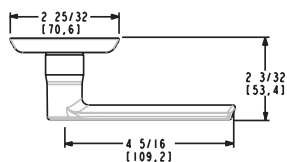
003, 031, 033, 044
055, 056, 076*, 102
112, 190, 260

ITEM #	DESCRIPTION	
5455V.xxx.FD	Full Dummy	\$243
5455V.xxx.RDM	RIGHT Hand Half Dummy	\$122
5455V.xxx.LDM	LEFT Hand Half Dummy	\$122
5455V.xxx.PASS	Passage: 2 3/8" backset	\$295
5455V.xxx.PRIV	Privacy: 2 3/8" backset	\$295

- Works with 1-3/8" and 1-3/4" thick doors
- PASS and PRIV functions ship with full lip strike and Pre-Drilled Door Adaptor
- QuickShip is only available with 2 3/8" backset latch. See 2 3/4" latch options on page 63.
- Ships with a Full Lip Strike. See T-Strike options on page 63.

5485V Soho® Lever w/ R026 Rose

Passage, Privacy & Dummy

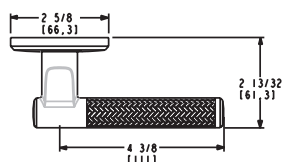


ITEM #	DESCRIPTION	044, 055, 056, 076* 102, 112, 190, 260
5485V.xxx.FD	Full Dummy	\$243
5485V.xxx.RDM	RIGHT Hand Half Dummy	\$122
5485V.xxx.LDM	LEFT Hand Half Dummy	\$122
5485V.xxx.PASS	Passage: 2 3/8" backset	\$295
5485V.xxx.PRIV	Privacy: 2 3/8" backset	\$295

- Works with 1-3/8" and 1-3/4" thick doors
- PASS and PRIV functions ship with full lip strike and Pre-Drilled Door Adaptor
- QuickShip is only available with 2 3/8" backset latch. See 2 3/4" latch options on page 63.
- Ships with a Full Lip Strike. See T-Strike options on page 63.

L015 Lever w/ R016 Rose

Passage, Privacy & Dummy

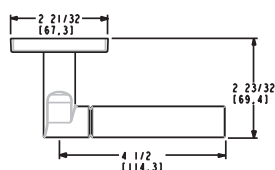


ITEM #	DESCRIPTION	044, 055, 056, 076* 102, 112, 190, 260
L015.xxx.FD	Full Dummy	\$270
L015.xxx.RDM	RIGHT Hand Half Dummy	\$134
L015.xxx.LDM	LEFT Hand Half Dummy	\$134
L015.xxx.PASS	Passage: 2 3/8" backset	\$350
L015.xxx.PRIV	Privacy: 2 3/8" backset	\$350

- Works with 1-3/8" and 1-3/4" thick doors
- PASS and PRIV functions ship with full lip strike and Pre-Drilled Door Adaptor
- QuickShip is only available with 2 3/8" backset latch. See 2 3/4" latch options on page 63.
- Ships with a Full Lip Strike. See T-Strike options on page 63.

L021 Lever w/ R017 Rose

Passage, Privacy & Dummy

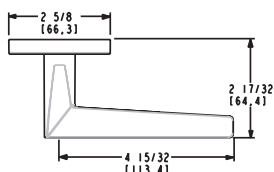


ITEM #	DESCRIPTION	044, 055, 056, 076* 102, 112, 190, 260
L021.xxx.FD	Full Dummy	\$270
L021.xxx.RDM	RIGHT Hand Half Dummy	\$134
L021.xxx.LDM	LEFT Hand Half Dummy	\$134
L021.xxx.PASS	Passage: 2 3/8" backset	\$350
L021.xxx.PRIV	Privacy: 2 3/8" backset	\$350

- Works with 1-3/8" and 1-3/4" thick doors
- PASS and PRIV functions ship with full lip strike and Pre-Drilled Door Adaptor
- QuickShip is only available with 2 3/8" backset latch. See 2 3/4" latch options on page 63.
- Ships with a Full Lip Strike. See T-Strike options on page 63.

L022 Lever w/ R017 Rose

Passage, Privacy & Dummy

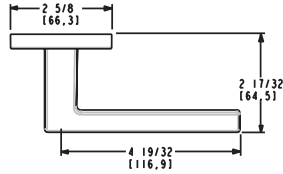


ITEM #	DESCRIPTION	044, 055, 056, 076* 102, 112, 190, 260
L022.xxx.FD	Full Dummy	\$270
L022.xxx.RDM	RIGHT Hand Half Dummy	\$134
L022.xxx.LDM	LEFT Hand Half Dummy	\$134
L022.xxx.PASS	Passage: 2 3/8" backset	\$350
L022.xxx.PRIV	Privacy: 2 3/8" backset	\$350

- Works with 1-3/8" and 1-3/4" thick doors
- PASS and PRIV functions ship with full lip strike and Pre-Drilled Door Adaptor
- QuickShip is only available with 2 3/8" backset latch. See 2 3/4" latch options on page 63.
- Ships with a Full Lip Strike. See T-Strike options on page 63.

L023 Lever w/ R017 Rose

Passage, Privacy & Dummy

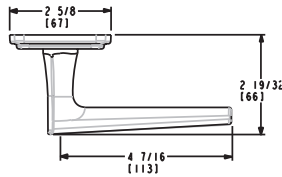


ITEM #	DESCRIPTION	044, 055, 056, 076* 102, 112, 190, 260
L023.xxx.FD	Full Dummy	\$283
L023.xxx.RDM	RIGHT Hand Half Dummy	\$140
L023.xxx.LDM	LEFT Hand Half Dummy	\$140
L023.xxx.PASS	Passage: 2 3/8" backset	\$363
L023.xxx.PRIV	Privacy: 2 3/8" backset	\$363

- Works with 1-3/8" and 1-3/4" thick doors
- PASS and PRIV functions ship with full lip strike and Pre-Drilled Door Adaptor
- QuickShip is only available with 2 3/8" backset latch. See 2 3/4" latch options on page 63.
- Ships with a Full Lip Strike. See T-Strike options on page 63.

L024 Lever w/ R046 Rose

Passage, Privacy & Dummy

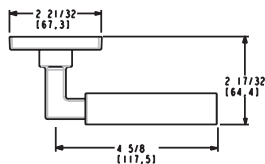


ITEM #	DESCRIPTION	003, 031, 033, 044 055, 056, 076*, 102 112, 190, 260
L024.xxx.FD	Full Dummy	\$320
L024.xxx.RDM	RIGHT Hand Half Dummy	\$160
L024.xxx.LDM	LEFT Hand Half Dummy	\$160
L024.xxx.PASS	Passage: 2 3/8" backset	\$400
L024.xxx.PRIV	Privacy: 2 3/8" backset	\$400

- Works with 1-3/8" and 1-3/4" thick doors
- PASS and PRIV functions ship with full lip strike and Pre-Drilled Door Adaptor
- QuickShip is only available with 2 3/8" backset latch. See 2 3/4" latch options on page 63.
- Ships with a Full Lip Strike. See T-Strike options on page 63.

L029 Lever w/ R017 Rose

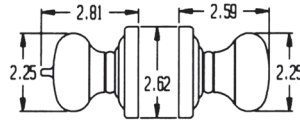
Passage, Privacy & Dummy



ITEM #	DESCRIPTION	003, 031, 033, 044 055, 056, 076*, 102 112, 190, 260
L029.xxx.FD	Full Dummy	\$320
L029.xxx.RDM	RIGHT Hand Half Dummy	\$160
L029.xxx.LDM	LEFT Hand Half Dummy	\$160
L029.xxx.PASS	Passage: 2 3/8" backset	\$400
L029.xxx.PRIV	Privacy: 2 3/8" backset	\$400

- Works with 1-3/8" and 1-3/4" thick doors
- PASS and PRIV functions ship with full lip strike and Pre-Drilled Door Adaptor
- QuickShip is only available with 2 3/8" backset latch. See 2 3/4" latch options on page 63.
- Ships with a Full Lip Strike. See T-Strike options on page 63.

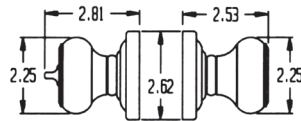
Classic Knob w/ Classic Rose



ITEM #	DESCRIPTION	WT.	003, 031, 033, 044 055, 056, 076*, 102 112, 190, 260
5205.xxx.ENTR	Emergency Exit	3.1	\$323

Comes with Adjustable Backset.

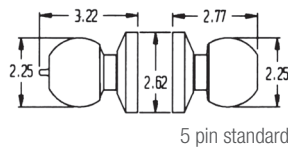
Colonial Knob w/ Classic Rose



ITEM #	DESCRIPTION	WT.	003, 031, 033, 044 055, 056, 076*, 102 112, 190, 260
5210.xxx.ENTR	Emergency Exit	3.1	\$323

Comes with Adjustable Backset.

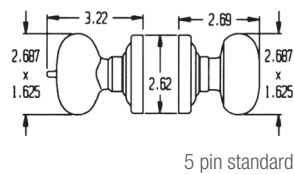
Contemporary Knob w/ Contemporary Rose



ITEM #	DESCRIPTION	WT.	003, 031, 033, 044 055, 056, 076*, 102 112, 190, 260
5215.xxx.ENTR	Emergency Exit	3.4	\$323

Comes with Adjustable Backset.

Egg Knob w/ Classic Rose

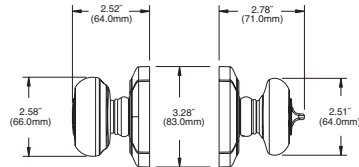


ITEM #	DESCRIPTION	WT.	003, 031, 033, 076* 102, 112, 190, 260
5225.xxx.ENTR	Emergency Exit	3.6	\$323

Comes with Adjustable Backset.

KNOBS
TUBULAR KEYED ENTRY

Bethpage Knob w/ Bethpage Rose

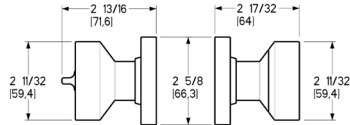


5 pin standard

ITEM #	DESCRIPTION	WT.	003, 031, 033, 076* 102, 112, 190, 260
5237.xxx.ENTR	Emergency Exit	3.6	\$323

Comes with Adjustable Backset.

Contemporary Knob w/ Round Rose

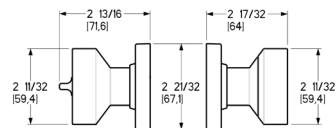


5 pin capability

ITEM #	DESCRIPTION	WT.	044, 055, 056, 076* 102, 112, 190, 260
5230.xxx.ENTR	Emergency Exit	3.6	\$323

Comes with Adjustable Backset.

Contemporary Knob w/ Square Rose

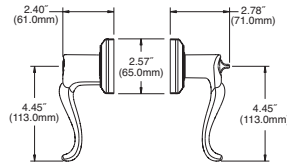


5 pin capability

ITEM #	DESCRIPTION	WT.	044, 055, 056, 076* 102, 112, 190, 260
5250.xxx.ENTR	Emergency Exit	4.3	\$323

Comes with Adjustable Backset.

Bethpage Lever w/ Bethpage Rose

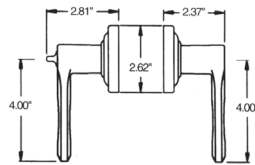


5 pin standard

ITEM #	DESCRIPTION	WT.	003, 031, 033, 044 055, 056, 076*, 102 112, 190, 260
5237.xxx.RENT	RIGHT Hand Emergency Exit	3.9	\$323
5237.xxx.LENT	LEFT Hand Emergency Exit		

Comes with Adjustable Backset.

Classic Lever w/ Classic Rose

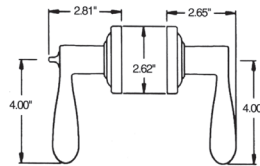


5 pin standard

ITEM #	DESCRIPTION	WT.	003, 031, 033, 044 055, 056, 076*, 102 112, 190, 260
5245.xxx.RENT	RIGHT Hand Emergency Exit	2.2	\$323
5245.xxx.LENT	LEFT Hand Emergency Exit		

Comes with Adjustable Backset.

Wave Lever w/ Classic Rose

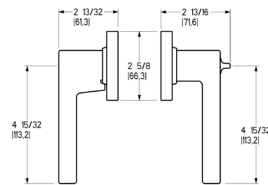


5 pin standard

ITEM #	DESCRIPTION	WT.	003, 031, 033, 044 055, 056, 076*, 102 112, 190, 260
5255.xxx.RENT	RIGHT Hand Emergency Exit	2.8	\$323
5255.xxx.LENT	LEFT Hand Emergency Exit		

Comes with Adjustable Backset.

Square Lever w/ Round Rose

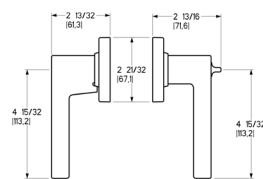


5 pin capability
6 pin capability

ITEM #	DESCRIPTION	WT.	044, 055, 056, 076* 102, 112, 190, 260
5260.xxx.RENT	RIGHT Hand Emergency Exit	3.6	\$323
5260.xxx.LENT	LEFT Hand Emergency Exit		

Comes with Adjustable Backset.

Squre Lever w/ Square Rose



5 pin capability
6 pin capability

ITEM #	DESCRIPTION	WT.	044, 055, 056, 076* 102, 112, 190, 260
5285.xxx.RENT	RIGHT Hand Emergency Exit	3.7	\$323
5285.xxx.LENT	LEFT Hand Emergency Exit		

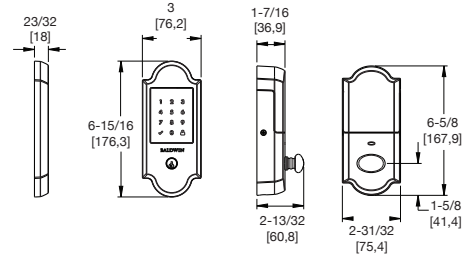
Comes with Adjustable Backset.

TOUCHSCREEN ENTRANCE SETS
DEADBOLT & HANDLESET

Boulder™ Touchscreen Deadbolt



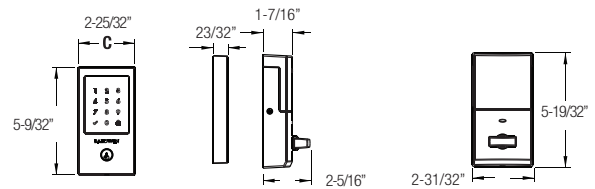
ITEM #	DESCRIPTION	WT.	003, 044, 056, 076* 102, 112, 190, 402
8235.xxx.	Touchscreen Deadbolt Standalone	4.6	\$524
8235.xxx.ZW	Touchscreen Deadbolt with Z-Wave	4.6	\$632



Minneapolis™ Touchscreen Deadbolt



ITEM #	DESCRIPTION	WT.	044, 055, 056, 076* 102, 112, 190, 260
8225.xxx.	Touchscreen Deadbolt Standalone	4.4	\$524
8225.xxx.ZW	Touchscreen Deadbolt with Z-Wave	4.4	\$632



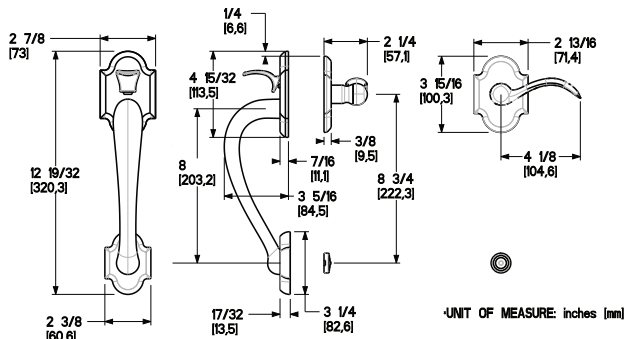
*076 finish available February 2023.

Boulder Sectional Handleset Kit

w/ 5452V Beavertail Lever

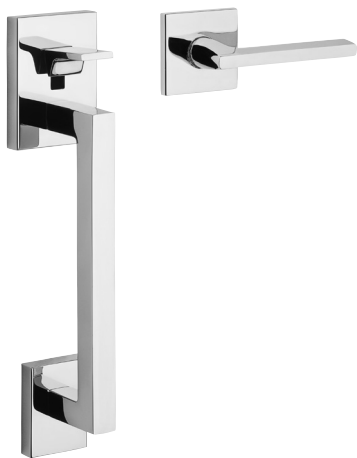


ITEM #	DESCRIPTION	WT.	003, 056, 076* 102, 112, 190
85353.xxx.ACRH	Sectional Entry Handleset Kit - LH Lever	4.2	\$434
85353.xxx.ACLH	Sectional Entry Handleset Kit - RH Lever	1.8	\$434

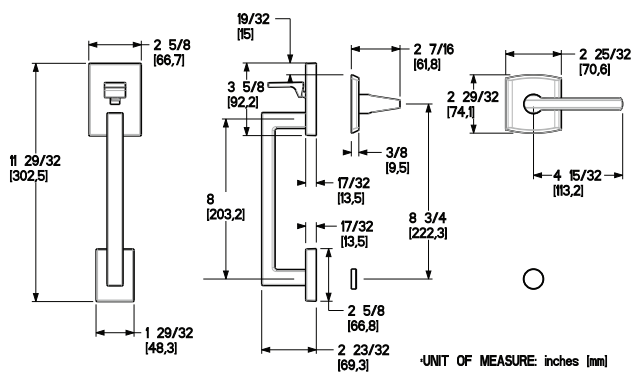


Minneapolis Sectional Handleset Kit

w/ 5162 Lever



ITEM #	DESCRIPTION	WT.	003, 044, 055 056, 076*, 102 112, 260
85390.xxx.ACRH	Sectional Entry Handleset Kit - RH Leve	6.5	\$434
85390.xxx.ACLH	Sectional Entry Handleset Kit - LH Lever	6.5	\$434

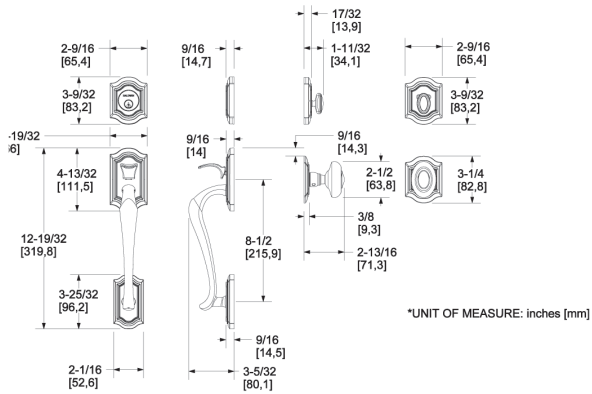


*076 finish available February 2023.

TUBULAR HANDLESETS

Bethpage® Sectional Handleset

w/ 5077 Bethpage Knob



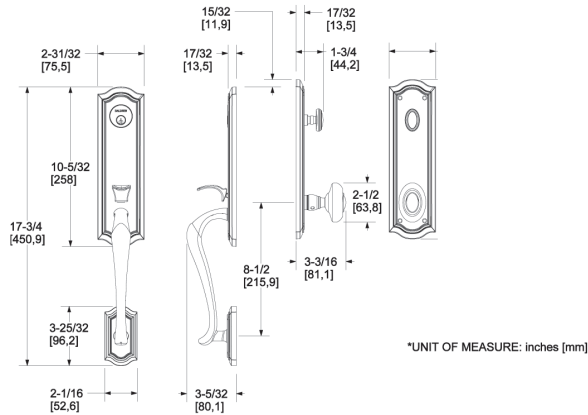
ITEM #	DESCRIPTION	WT.	003, 031, 033, 044 055, 056, 076*, 102 112, 190, 260
85327.xxx.ENTR	Single cylinder handleset with interior knob	5.8	\$568



Comes with Adjustable Backset Latch

Bethpage® Emergency Egress Handleset

w/ 5077 Bethpage Knob



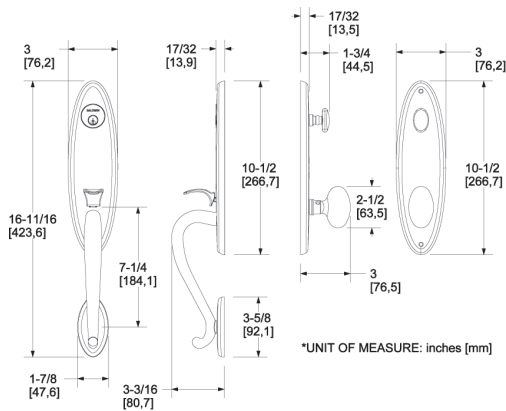
ITEM #	DESCRIPTION	WT.	003, 031, 033, 044 055, 056, 076*, 102 112, 190, 260
85337.xxx.ENTR	Single cylinder handleset with interior knob, emergency egress	6.8	\$758



Comes with Adjustable Backset Latch

Blakely Emergency Egress Handleset

w/ 5025 Egg Knob



ITEM #	DESCRIPTION	WT.	003, 031, 033, 044 055, 056, 076*, 102 112, 150, 190, 260
85360.xxx.ENTR	Single cylinder handleset with interior knob	6.8	\$758

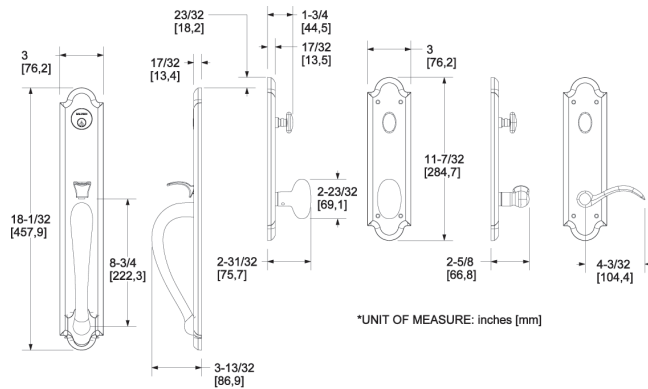


Comes with Adjustable Backset Latch

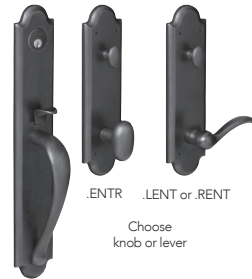
*076 finish available February 2023.

Boulder Full Escutcheon Handleset Emergency Egress

w/ 5024 Oval Knob or 5452V Beavertail Lever



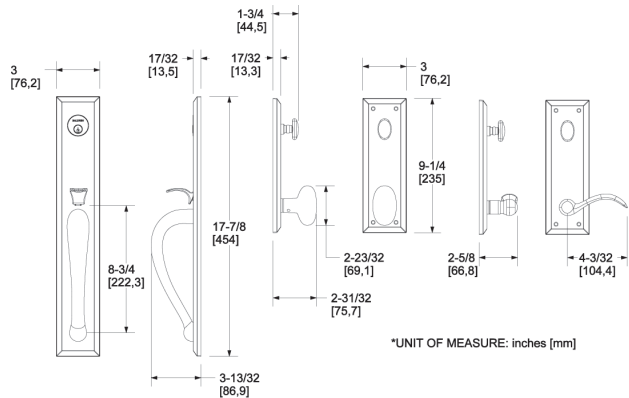
ITEM #	DESCRIPTION	WT.	102, 112, 190, 402
6402.xxx.ENTR	Single cylinder handleset with interior knob, emergency egress		
6402.xxx.RENT	Single cylinder handleset w/ lever, emergency egress – RH Entry	9.2	\$820
6402.xxx.LENT	Single cylinder handleset w/ lever, emergency egress – LH Entry		



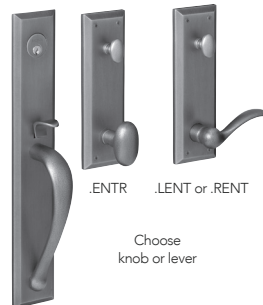
Comes with Adjustable Backset Latch

Cody Full Escutcheon Handleset Emergency Egress

w/ 5024 Oval Knob or 5452V Beavertail Lever



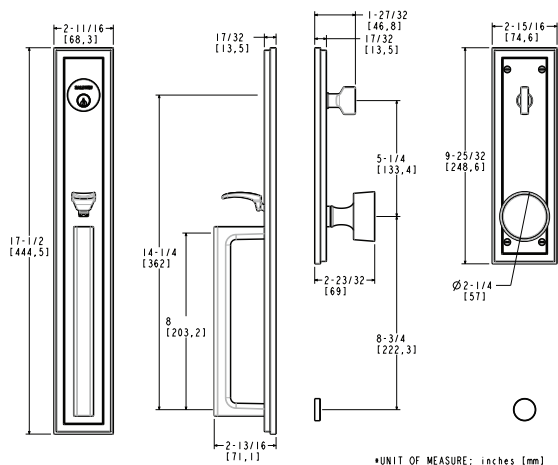
ITEM #	DESCRIPTION	WT.	102, 112, 190, 402
6403.xxx.ENTR	Single cylinder handleset with interior knob, emergency egress		
6403.xxx.RENT	Single cylinder handleset w/ lever, emergency egress – RH Entry	9.2	\$820
6403.xxx.LENT	Single cylinder handleset w/ lever, emergency egress – LH Entry		



Comes with Adjustable Backset Latch

Hollywood Hills Full Escutcheon Handleset

Emergency Egress w/ K008 Knob



ITEM #	DESCRIPTION	WT.	003, 031, 033, 044 055, 056, 076*, 102 112, 190, 260
85311...xx.ENTR	Single cylinder handleset with knob	7.3	\$946



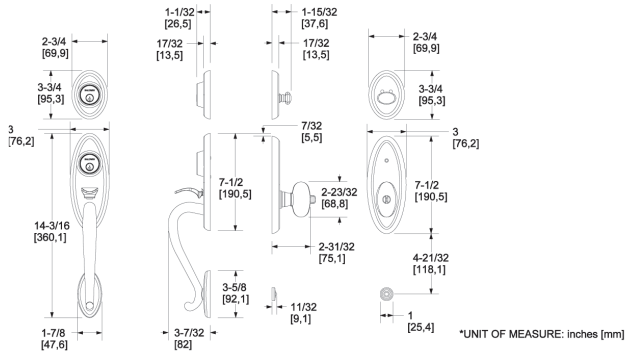
Comes with Adjustable Backset Latch

*076 finish available February 2023.

TUBULAR HANDLESETS

Landon® Two-Point Lock Handleset

w/ 5225 Egg Knob



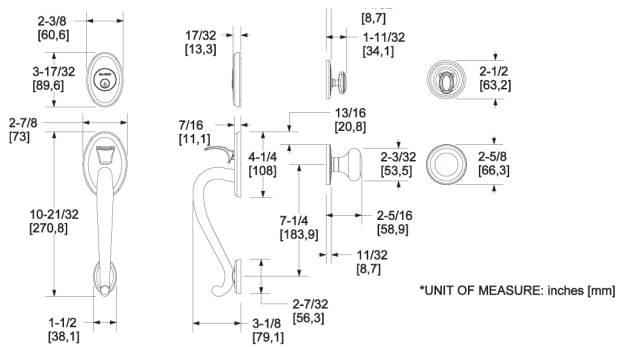
ITEM #	DESCRIPTION	WT.	003, 031, 033, 044 055, 056, 076*, 102 112, 150, 190, 260
85345.xxx.2ENT	Single cylinder handleset with interior knob	8.8	\$758



Comes with Adjustable Backset Latch

Logan Sectional Handleset

w/ 5015 Classic Knob or 5455V Waver Lever



ITEM #	DESCRIPTION	WT.	003, 031, 033, 044 055, 056, 076*, 102 112, 150, 190, 260
85315.xxx.ENTR	Single cylinder handleset with interior knob	5.6	\$568
85315.xxx.RENT	Single cylinder handleset with lever - RH Entry	6.7	\$568
85315.xxx.LENT	Single cylinder handleset with lever - LH Entry		

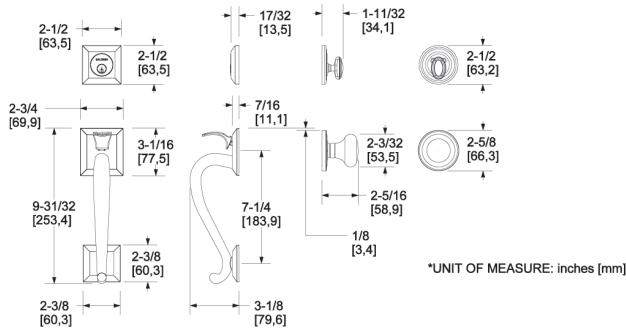


Comes with Adjustable Backset Latch

*076 finish available February 2023.

Madison® Sectional Handleset

w/ 5015 Classic Knob



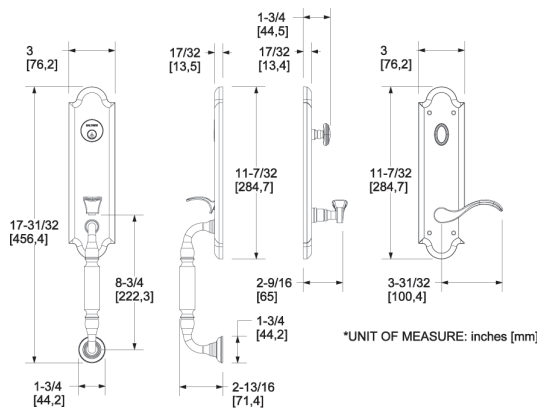
ITEM #	DESCRIPTION	WT.	003, 031, 033, 044 055, 056, 076*, 102 112, 150, 190, 260
85320.xxx.ENTR	Single cylinder handleset with interior knob	5.6	\$568



Comes with Adjustable Backset Latch

Manchester Emergency Egress Handleset

w/ 5455V Waver Lever



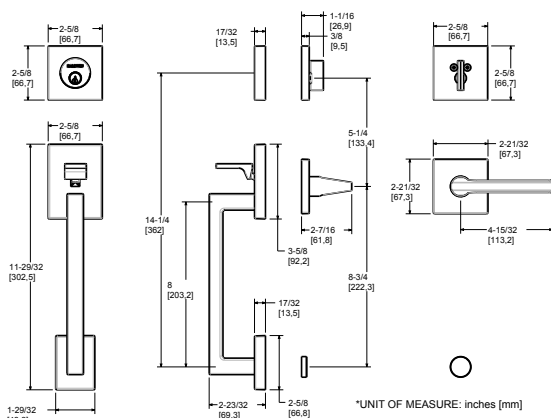
ITEM #	DESCRIPTION	WT.	003, 031, 033, 044 055, 056, 076*, 102 112, 150, 190, 260
85350.xxx.RENT	Single cylinder handleset w/ lever, emergency egress – RH Entry	8.3	\$758
85350.xxx.LENT	Single cylinder handleset w/ lever, emergency egress – LH Entry		



Comes with Adjustable Backset Latch

Minneapolis® Sectional Trim

w/ 5162 Lever



ITEM #	DESCRIPTION	WT.	044, 055, 056 076*, 102, 112 150, 190, 260
85390.xxx.RENT	Single cylinder handleset with lever – RH Entry	6.8	\$568
85390.xxx.LENT	Single cylinder handleset with lever – LH Entry		

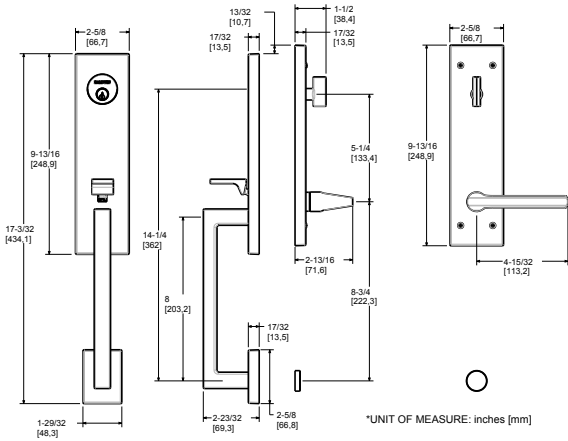


Comes with Adjustable Backset Latch

TUBULAR HANDLESETS

Minneapolis™ ¾ Escutcheon Handleset

Emergency Egress w/ 5162 Lever



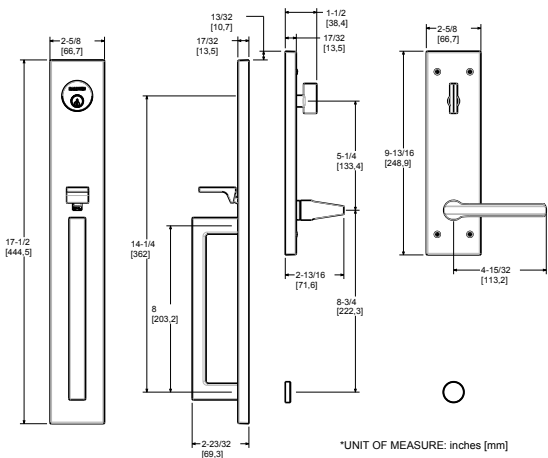
ITEM #	DESCRIPTION	WT.	044, 055, 056, 076* 102, 112, 190, 260
85391.xxx.RENT	Single cylinder handleset w/ lever, emergency egress – RH Entry	7.3	\$758
85391.xxx.LENT	Single cylinder handleset w/ lever, emergency egress – LH Entry		



Comes with Adjustable Backset Latch

Minneapolis™ Full Escutcheon Handleset

Emergency Egress w/ 5162 Lever



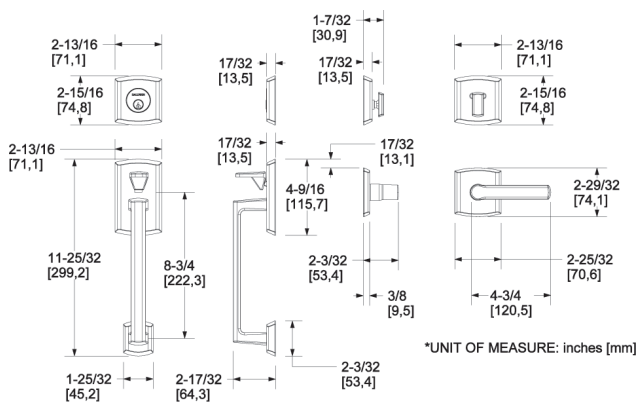
ITEM #	DESCRIPTION	WT.	044, 055, 056, 076* 102, 112, 190, 260
85392.xxx.RENT	Single cylinder handleset w/ lever, emergency egress – RH Entry	9.2	\$820
85392.xxx.LENT	Single cylinder handleset w/ lever, emergency egress – LH Entry		



Comes with Adjustable Backset Latch

Soho® Sectional Trim

w/ 5485V Soho Lever



ITEM #	DESCRIPTION	WT.	044, 055, 056, 076* 102, 112, 190, 260
85386.xxx.RENT	Single cylinder handleset w/ Lever – RH Entry	6.8	\$568
85386.xxx.LENT	Single cylinder handleset w/ Lever – LH Entry		



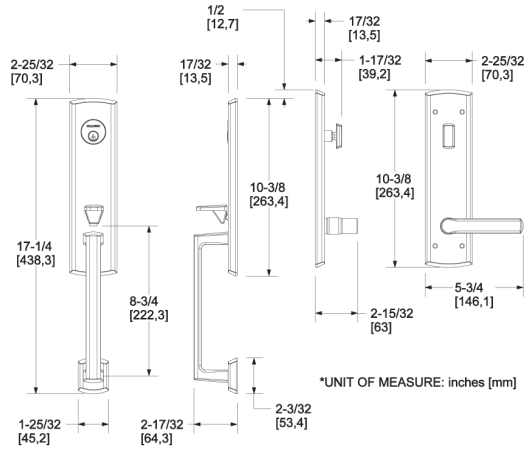
Comes with Adjustable Backset Latch

*076 finish available February 2023.

BALDWIN

Soho® ¾ Escutcheon Handleset

Emergency Egress w/ 5485V Soho Lever



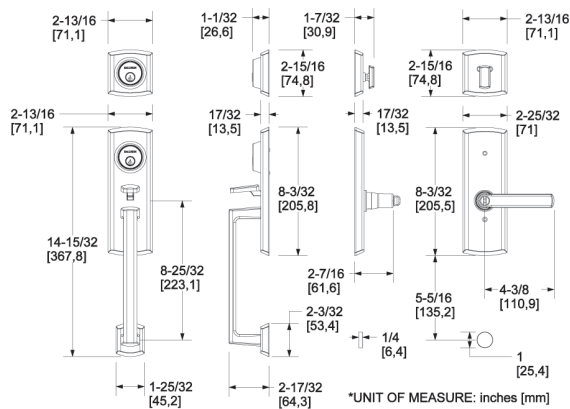
ITEM #	DESCRIPTION	WT.	044, 055, 056, 076* 102, 112, 190, 260
85387.xxx.RENT	Single cylinder handlesetw/ Lever – RH Entry , Emergency Egress	7.8	\$758
85387.xxx.LENT	Single cylinder handlesetw/ Lever – LH Entry, Emergency Egress		



Comes with Adjustable Backset Latch

Soho® Two-Point Lock Handleset

w/ Soho Lever



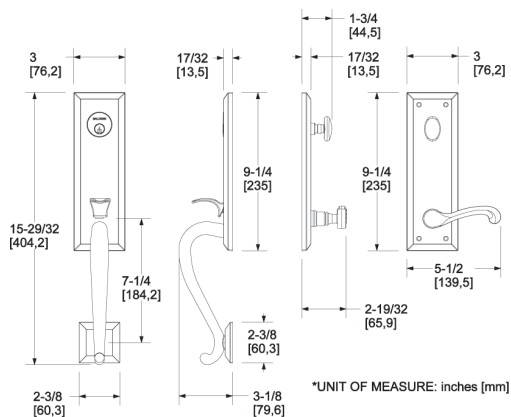
ITEM #	DESCRIPTION	WT.	044, 055, 056, 076* 102, 112, 190, 260
85385.xxx.2RH	Single cylinder handleset with lever – RH Entry	9.7	\$758
85385.xxx.2LH	Single cylinder handleset with lever – LH Entry		



Comes with Adjustable Backset Latch

Stonegate Emergency Egress Handleset

w/ 5445V Classic Lever



ITEM #	DESCRIPTION	WT.	003, 031, 033, 044 055, 056, 076*, 102 112, 150, 190, 260
85355.xxx.RENT	Single cylinder handleset w/ lever, emergency egress – RH Entry	8.1	\$758
85355.xxx.LENT	Single cylinder handleset w/ lever, emergency egress – LH Entry		



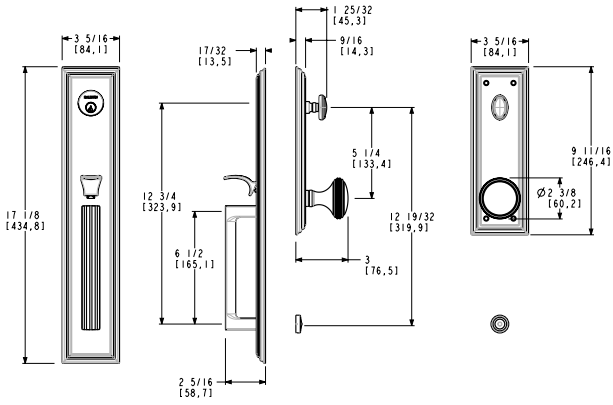
Comes with Adjustable Backset Latch

TUBULAR HANDLESETS

Tremont Full Escutcheon Handleset

Emergency Egress w/ 5069 Knob

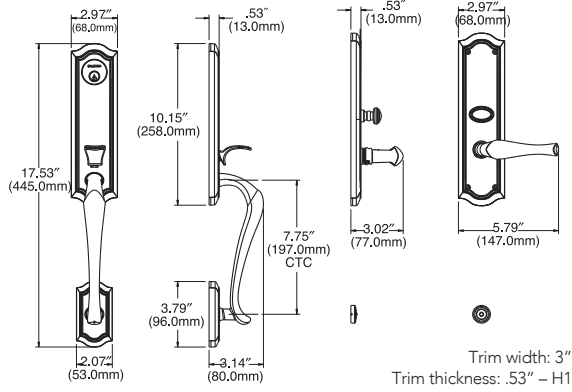
ITEM #	DESCRIPTION	WT.	003, 031, 033, 044 055, 056, 076*, 102 112, 150, 190, 260
85342.xxx.ENTR	Single Cylinder handleset with knob	7.3	\$820



Comes with Adjustable Backset Latch

*076 finish available February 2023.

Bethpage ¾ Escutcheon Handleset Trim

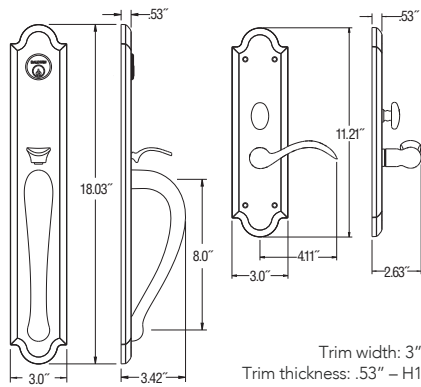


ITEM #	DESCRIPTION	WT.	003, 031, 033, 044
			055, 056, 076*
M522.xxx.ENTR	Entrance Trim – Knob	9.5	\$723
M522.xxx.RENT (LENT)	Entrance Trim – Lever		\$723



Requires additional components. See page 38 & 39 for details.

Boulder Full Escutcheon Handleset Trim

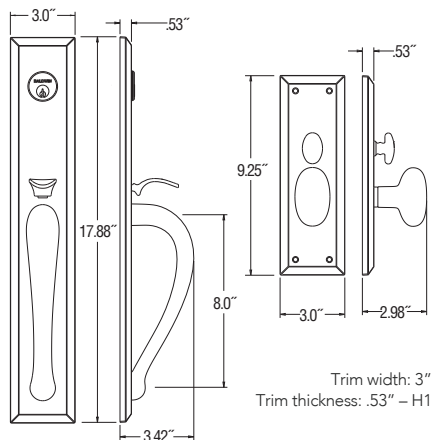


ITEM #	DESCRIPTION	WT.	102, 112, 190, 402
			M514.xxx.ENTR
M514.xxx.RENT (LENT)	Entrance Trim – Lever		\$939



Requires additional components. See page 38 & 39 for details.

Cody Full Escutcheon Handleset Trim



ITEM #	DESCRIPTION	WT.	102, 112, 190, 402
			M504.xxx.ENTR
M504.xxx.RENT (LENT)	Entrance Trim – Lever		\$939

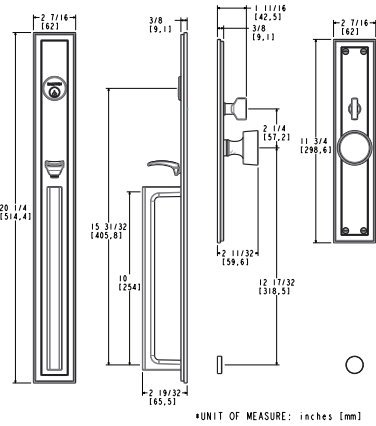


Requires additional components. See page 38 & 39 for details.

MORTISE HANDLESETS

Hollywood Hills 20" Escutcheon Handleset Trim

K008 Knob



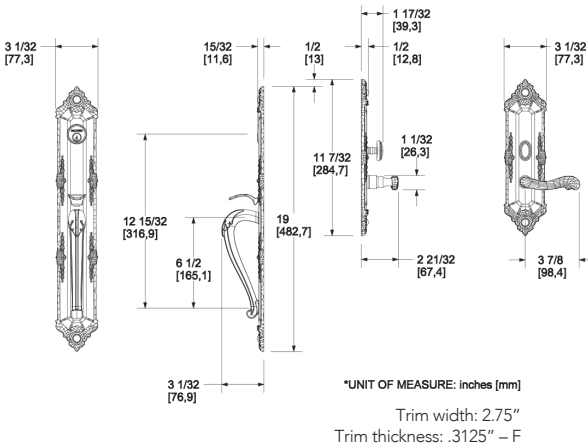
ITEM #	DESCRIPTION	WT.	003, 031, 033, 044 055, 056, 076*, 102 112, 150, 190, 260
6946.xxx.ENTR	Entrance Trim		\$1,306



Requires additional components. See page 38 & 39 for details.

Kensington Handleset Trim

w/ 5108 Lever



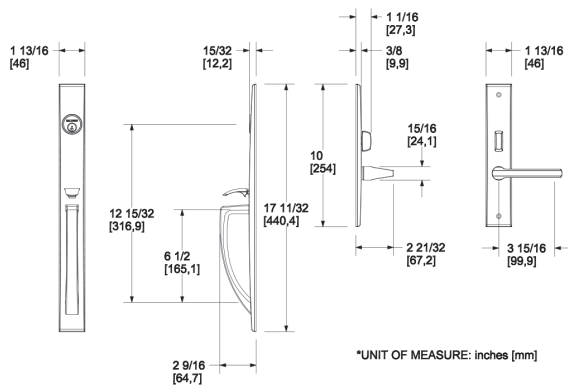
ITEM #	DESCRIPTION	WT.	003, 031, 033 044, 055, 056, 076* 102, 112, 190, 260
6950.xxx.RENT (LENT)	Entrance Trim		\$1,161



Requires additional components. See page 38 & 39 for details.

Lakeshore™ Handleset Trim

Emergency Egress w/ 5162 Lever



ITEM #	DESCRIPTION	WT.	044, 055, 056, 076* 102, 112, 190, 260
6966.xxx.RENT (LENT)	Entrance Trim – Lakeshore	5.0	\$1,161



Requires additional components. See page 38 & 39 for details.

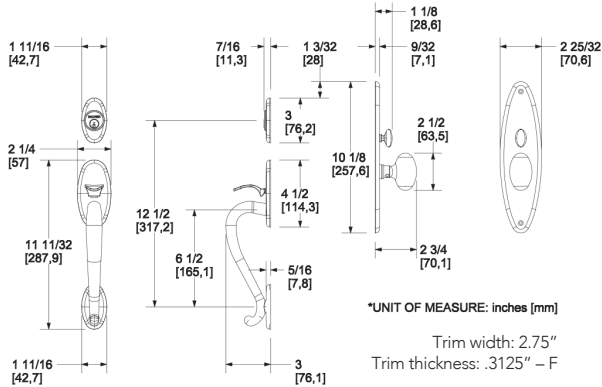
*076 finish available February 2023.

BALDWIN

Lexington Handleset Trim

w/ 5025 Egg Knob

003, 031, 033, 044
055, 056, 076*, 102
112, 190, 260



ITEM #	DESCRIPTION	WT.	
6560.xxx.ENTR	Entrance Trim	4.3	\$723

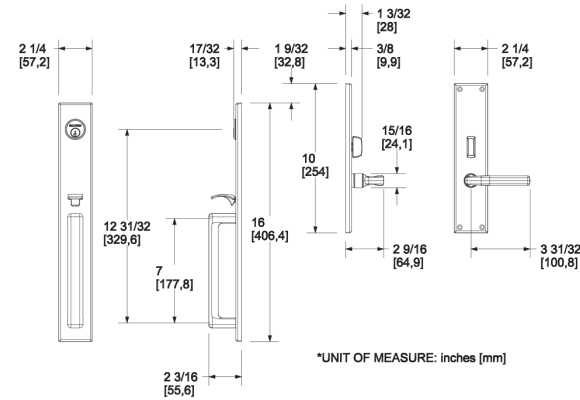


Requires additional components. See page 38 & 39 for details.

Minneapolis™ Handleset Trim

Emergency Egress w/ 5162 Lever

044, 055, 056, 076*
102, 112, 190, 260



ITEM #	DESCRIPTION	WT.	
6976.xxx.RENT (LENT)	Entrance Trim	5.5	\$939

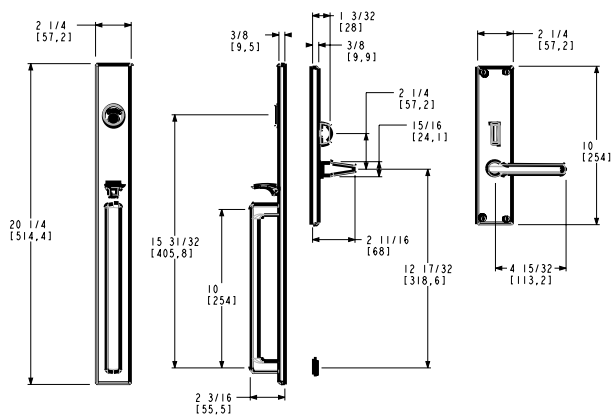


Requires additional components. See page 38 & 39 for details.

Minneapolis 20" Escutcheon Handleset Trim

w/ 5162 lever

003, 031, 033, 044
050, 055, 056, 060
076*, 102, 112, 151
190, 260, 402



ITEM #	DESCRIPTION	WT.	
6977.xxx.RENT (LENT)	Entrance Trim - Minneapolis 20"	5.5	\$1,306

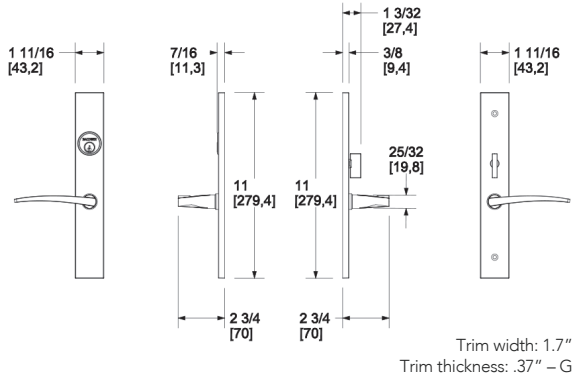


Requires additional components. See page 38 & 39 for details.

MORTISE HANDLESETS

Santa Monica Handleset Trim

w/ L022 Lever



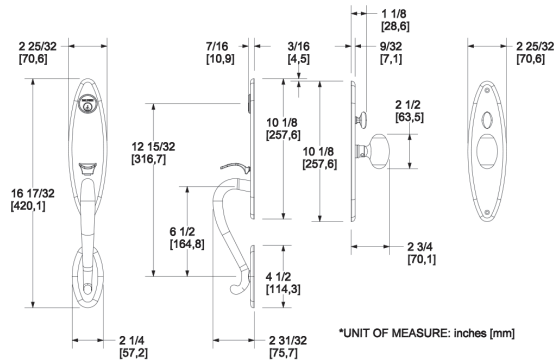
ITEM #	DESCRIPTION	WT.	044, 055, 056, 076* 102, 112, 190, 260
6915.xxx.ENTR	Entrance Trim	9.5	\$723



Requires additional components. See page 38 & 39 for details.

Springfield Handleset Trim

w/ 5025 Egg Knob



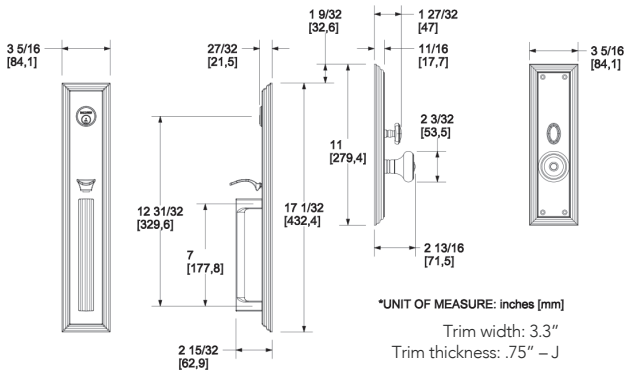
ITEM #	DESCRIPTION	WT.	003, 031, 033, 044 055, 056, 076* 102, 112, 190, 260
6573.xxx.ENTR	Entrance Trim	9.5	\$723



Requires additional components. See page 38 & 39 for details.

Tremont Handleset Trim

w/ 5020 Knob



ITEM #	DESCRIPTION	WT.	003, 031, 033 044, 055, 056, 076* 102, 112, 190, 260
6542.xxx.ENTR	Entrance Trim	9.5	\$1,161



Requires additional components. See page 38 & 39 for details.

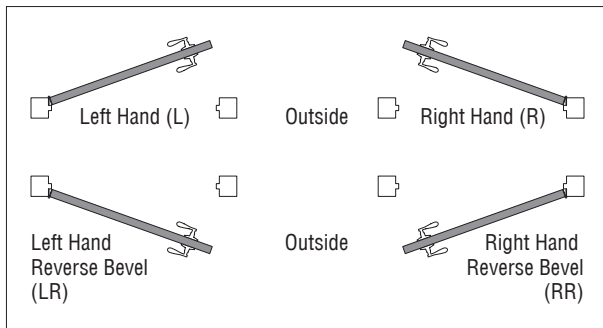
*076 finish available February 2023.

SUFFIX CHART

	SUFFIX	MINUS STRIKE	WITH 1" FRONT*
Right hand	.R	.RDT	.R1DT
Left hand	.L	.LDT	.L1DT
Right hand Reverse bevel	.RR	.RRDT	.RR1DT
Left hand Reverse bevel	.LR	.LRDT	.LR1DT
Right hand Lever Strength	.RLS	.RLSDT	.RLS1DT
Left hand Lever Strength	.LLS	.LLSDT	.LLS1DT

*Applies to 2.5" backset locks. For 1" Front DT Distinguishes minus strike. If ordering with strike, do not include the DT note.

DOOR HANDING



1. All Mortise Locks have a handed Suffix (.R or .L)
2. All Mortise Locks are either Knob Strength (no addition to Suffix) or Lever Strength (LS added to the Suffix)

WARNING: DO NOT USE Lever Strength mortise locks with knobs. They only turn one way and have a stiff turning action suitable for levers.

3. Other Mortise Lock options:

- Reverse Bevel doors (RR or LR)
- Minus Strike (DT), when an Extended Lip Strike is needed (order Strike separately) Optional 1" Front (1) for 1.375" doors
- Optional 1" front for 1.375" doors are only available on 2.5" or smaller backsets

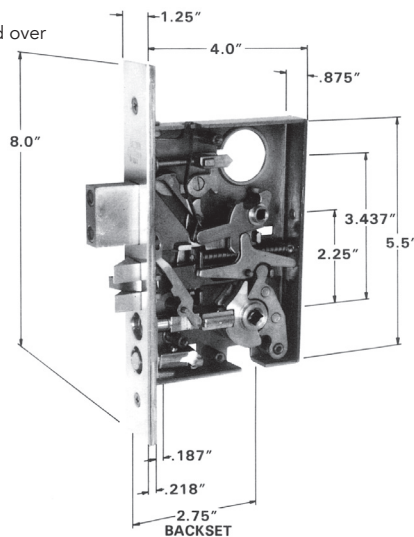
4. Always review suffix chart!

FOR MORE DETAILS CONSULT A BALDWIN ESTATE PRICEBOOK.

AVAILABLE IN QUICKSHIP

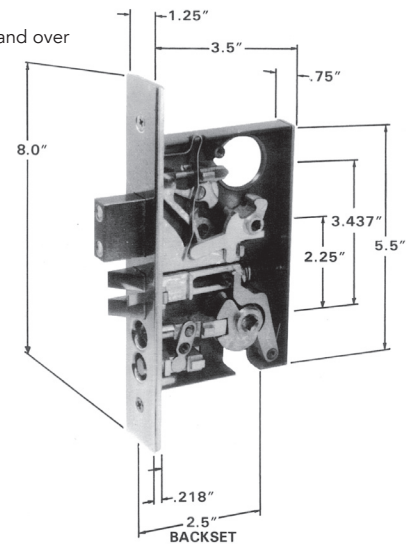
2.75" Backset

for doors 1.75" thick and over



2.5" Backset

for doors 1.375" thick and over



ALL 2.5" AND 2.75" ENTRANCE MORTISE LOCKS ARE U/L LISTED

Baldwin UL-listed 2.5" and 2.75" mortise locks meet US standard UL-10C and Canadian standard CAN4 S104-M80 for survival of a 3-hour burn under positive pressure. All Baldwin Estate Collection mortise entry trim and Estate Collection knob/lever trim may be used with Baldwin UL-listed mortise locks.

NOTE: 1" lock fronts and locks less strike are NOT available in the QuickShip program.

MORTISE LOCKS ENTRANCE FUNCTIONS

LIST OF AVAILABLE HANDLING OPTIONS

	SUFFIX*
Right hand	.R
Left hand	.L
Right hand Lever Strength	.RLS
Left hand Lever Strength	.LLS

ITEM #	DESCRIPTION	BACKSET	WT.	STD. STRIKE	003, 031, 033, 044 055, 056, 076*, 102 112, 150, 190, 260	
6020.xxx.Suffix*	Residential Entrance	Handleset x Knob/Lever	2.75"	3.0	6040	
6021.xxx.Suffix*	Entrance – Emergency Egress	Handleset x Knob/Lever	2.75"	3.0	6040	\$504
6075.xxx.Suffix*	Entrance – Emergency Egress	Knob x Knob/Lever x Lever	2.75"	3.0	6040	
6320.xxx.Suffix*	Residential Entrance	Handleset x Knob/Lever	2.5"	3.0	6340	
6321.xxx.Suffix*	Entrance – Emergency Egress	Handleset x Knob/Lever	2.5"	3.0	6340	\$504
6375.xxx.Suffix*	Entrance – Emergency Egress	Knob x Knob/Lever x Lever	2.5"	3.0	6340	

2.75" backsets comes with the 1.25" front.

2.5" backsets comes with the 1.25" front.

>Specify handing with Suffix* after finish designation (Suffix chart above left)

NOTE: Baldwin recommends the usage of 2.75" backset locks for doors thicker than 2" or doors 8ft or taller.

WARNING: DO NOT USE lever Strength mortise locks with knobs. They only turn one way and have a stiff turning action suitable for levers.

SINGLE CYINDER – C KEYWAY



ITEM #	DESCRIPTION	003, 031, 033, 076* 102, 190, 112, 260
8323.xxx	1.25" Mortise Cyl.	
8324.xxx	1.375" Mortise Cyl.	\$82
8325.xxx	1.5" Mortise Cyl.	
8326.xxx	1.625" Mortise Cyl.	\$169

QuickShip Cylinder is only for 1.75" Thick Doors.

Other mortise lock components, including thick door kits and locks less strikes are available with standard lead times. Please consult the Baldwin Estate Price Book or contact Baldwin Customer Service for details.

THICK DOOR KITS

1.75" to 2.25" Door Thickness Mortise Handlesets

MORTISE, WOOD DOOR

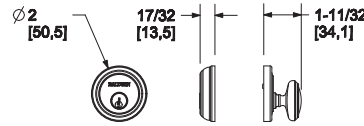
KIT	FOR ENTRANCE TRIM #	PRICE
6501.000.A	6515, 6520, 6526, 6540, 6541, 6543, 6549, 6556, 6557, 6560, 6564, 6565, 6567, 6568, 6570, 6571, 6572, 6573, 6931, 6946, 6948, 6950, 6963, 6976 active & dummy	\$10
6501.000.F	6966	\$38

REQUIRED for all doors over 1.75" and up to 2.25" thick Thick Door Kits

*076 finish available February 2023.

BALDWIN

8031 Traditional Deadbolt – 1 5/8" Door Prep

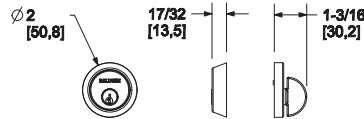


ITEM #	DESCRIPTION	WT.	003, 031, 033 044, 055, 056, 076* 102, 112, 190, 260
8031.xxx	Single cylinder deadbolt	1.8	\$143

**QuickShip deadbolts are for 1.75" thick doors
**See thick door kits on page 61*

Comes with Adjustable Backset Latch

8041 Contemporary Deadbolt – 1 5/8" Door Prep

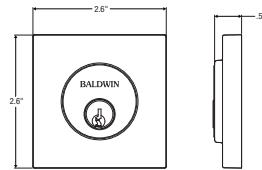


ITEM #	DESCRIPTION	WT.	044, 055, 056, 076* 102, 112, 190, 260
8041.xxx	Single cylinder deadbolt	1.7	\$143

**QuickShip deadbolts are for 1.75" thick doors
**See thick door kits on page 61*

Comes with Adjustable Backset Latch

8220 Contemporary Deadbolt – 2 1/8" Door Prep

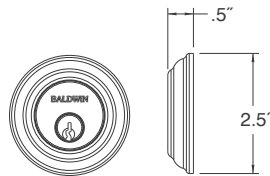


ITEM #	DESCRIPTION	WT.	003, 031, 033 044, 055, 056, 076* 102, 112, 190, 260
8220.xxx	Single cylinder deadbolt	1.7	\$172

**QuickShip deadbolts are for 1.75" thick doors
**See thick door kits on page 61*

Comes with Adjustable Backset Latch

8231 Traditional Deadbolt – 2 1/8" Door Prep

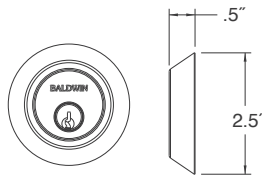


ITEM #	DESCRIPTION	WT.	003, 031, 033 044, 055, 056, 076* 102, 112, 190, 260
8231.xxx	Single cylinder deadbolt	2.2	\$143

**QuickShip deadbolts are for 1.75" thick doors
**See thick door kits on page 61*

Comes with Adjustable Backset Latch

8241 Contemporary Deadbolt – 2 1/8" Door Prep

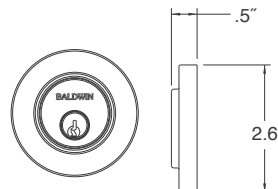


ITEM #	DESCRIPTION	WT.	003, 031, 033 044, 055, 056, 076* 102, 112, 190, 260
8241.xxx	Single cylinder deadbolt	2.1	\$143

**QuickShip deadbolts are for 1.75" thick doors
**See thick door kits on page 61*

Comes with Adjustable Backset Latch

8244 Contemporary Deadbolt – 2 1/8" Door Prep



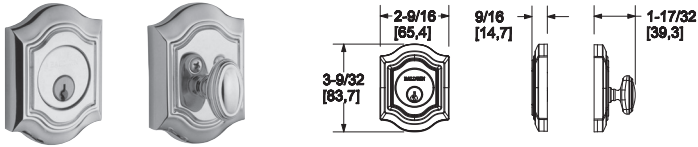
ITEM #	DESCRIPTION	WT.	003, 031, 033 044, 055, 056, 076* 102, 112, 190, 260
8244.xxx	Single cylinder deadbolt	2.1	\$172

**QuickShip deadbolts are for 1.75" thick doors
**See thick door kits on page 61*

Comes with Adjustable Backset Latch

DEADBOLTS

8237 Bethpage Adjustable Deadbolt – 2 1/8" Door Prep



ITEM #	DESCRIPTION	WT.	003, 031, 033 044, 055, 056, 076* 102, 112, 190, 260
8237.xxx	Single cylinder deadbolt	2.1	\$172

**QuickShip deadbolts are for 1.75" thick doors
**See thick door kits on page 61*

Comes with Adjustable Backset Latch

8252 Arched Deadbolt – 2 1/8" Door Prep



ITEM #	DESCRIPTION	WT.	003, 031, 033 044, 055, 056, 076* 102, 112, 190, 260
8252.xxx	Single cylinder deadbolt	2.0	\$172

**QuickShip deadbolts are for 1.75" thick doors
**See thick door kits on page 61*

Comes with Adjustable Backset Latch

8254 Squared Deadbolt – 2 1/8" Door Prep

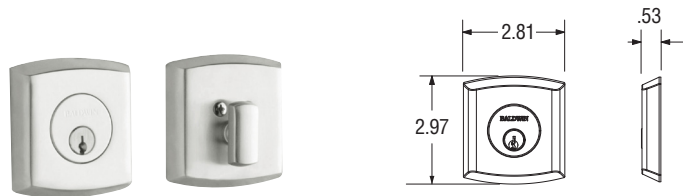


ITEM #	DESCRIPTION	WT.	003, 031, 033 044, 055, 056, 076* 102, 112, 190
8254.xxx	Single cylinder deadbolt	2.0	\$172

**QuickShip deadbolts are for 1.75" thick doors
**See thick door kits on page 61*

Comes with Adjustable Backset Latch

8285 SOHO Deadbolt – 2 1/8" Door Prep

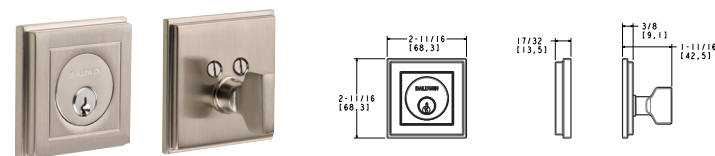


ITEM #	DESCRIPTION	WT.	003, 031, 033 044, 055, 056, 076* 102, 112, 190
8285.xxx	Single cylinder deadbolt	2.2	\$172

**QuickShip deadbolts are for 1.75" thick doors
**See thick door kits on page 61*

Comes with Adjustable Backset Latch

8260 Hollywood Hills Deadbolt – 2 1/8" Door Prep



ITEM #	DESCRIPTION	WT.	003, 031, 033 044, 055, 056, 076* 102, 112, 190, 260
8260.xxx	Single cylinder deadbolt	2.2	\$186

**QuickShip deadbolts are for 1.75" thick doors
**See thick door kits on page 61*

Comes with Adjustable Backset Latch

*076 finish available February 2023.

Santa Monica - Large

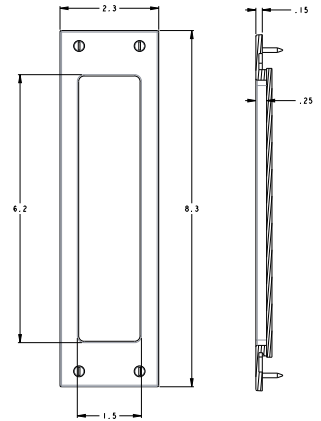
New Surface Mounted Design



003, 031, 033
044, 055, 056, 076
102, 112, 190, 260

	Item #	Description		
SET*	PD005.xxx.ENTR	Entry set with 2.5" backset lock*	Set	\$814
	PD005.xxx.PRIV	Privacy set with 2.5" backset lock	Set	\$814
	PD005.xxx.PASS	Passage/dummy set with pull	Set	\$724
	PD005.xxx.FD	Dummy set for double doors	Set	\$765

*Entry set excludes cylinder



Minimum Door Thickness: 1.375"

Santa Monica - Small

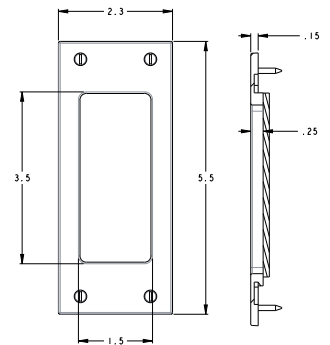
New Surface Mounted Design



003, 031, 033
044, 055, 056, 076*
102, 112, 190, 260

	Item #	Description		
SET*	PD006.xxx.ENTR	Entry set with 2.5" backset lock*	Set	\$760
	PD006.xxx.PRIV	Privacy set with 2.5" backset lock	Set	\$760
	PD006.xxx.PASS	Passage/dummy set with pull	Set	\$668
	PD006.xxx.FD	Dummy set for double doors	Set	\$710

*Entry set excludes cylinder



Minimum Door Thickness: 1.375"

HINGES

1035 3.5" x 3.5" – Square Corner



ITEM #	DESCRIPTION	PER BOX	WT.	003, 031, 033, 044 055, 056, 076*, 102 112, 190, 260
1035.xxx.l	Hinge – 3.5" x 3.5"	1 each	0.7	\$50

PACKED: One per box, each hinge poly-bagged with fasteners. Supplied with 6 – #10 Flat Head-Phillips wood screws.

NOTE: Hinge thickness: .125".

1040 4" x 4" – Square Corner



ITEM #	DESCRIPTION	PER BOX	WT.	003, 031, 033, 044 055, 056, 076*, 102 112, 190, 260
1040.xxx.l	Hinge – 4" x 4"	1 each	0.8	\$54

PACKED: One per box, each hinge poly-bagged with fasteners. Supplied with 8 – #12 Flat Head-Phillips wood screws.

NOTE: Hinge thickness: .130".

1045 4.5" x 4.5" – Square Corner



ITEM #	DESCRIPTION	PER BOX	WT.	003, 031, 033, 044 055, 056, 076*, 102 112, 190, 260
1045.xxx.l	Hinge – 4.5" x 4.5"	1 each	1.0	\$58

PACKED: One per box, each hinge poly-bagged with fasteners. Supplied with 8 – #12 Flat Head-Phillips wood screws.

NOTE: Hinge thickness: .134".

*076 finish available February 2023.

BALDWIN

1041 4" x 4" – Ball Bearing



ITEM #	DESCRIPTION	PER BOX	WT.	003, 031, 033, 044 055, 056, 076*, 102 112, 190, 260
1041.xxx.l	Ball Bearing Hinge – 4" x 4"	1 each	0.8	\$67

PACKED: One per box, each hinge poly-bagged with fasteners. Supplied with #12 x 1.25" Flat Head-Phillips wood screws.

NOTE: Hinge thickness: .130".

1046 4.5" x 4.5" – Ball Bearing



ITEM #	DESCRIPTION	PER BOX	WT.	003, 031, 033, 044 055, 056, 076*, 102 112, 190, 260
1046.xxx.l	Ball Bearing Hinge – 4.5" x 4.5"	1 each	1.0	\$70

PACKED: One per box, each hinge poly-bagged with fasteners. Supplied with #12 x 1.25" Flat Head-Phillips wood screws.

NOTE: Hinge thickness: .134".

1135 3.5" x 3.5" – 5/8" Radius Corner



ITEM #	DESCRIPTION	PER BOX	WT.	003, 031, 033, 044 055, 056, 076*, 102 112, 190, 260
1135.xxx.l	5/8" Radius Corner Hinge – 3.5" x 3.5"	1 each	0.7	\$34

PACKED: One per box, each hinge poly-bagged with fasteners. Supplied with #10 x 1" Flat Head-Phillips wood screws.

NOTE: Hinge thickness: .093".

1140 4" x 4" – 5/8" Radius Corner



ITEM #	DESCRIPTION	PER BOX	WT.	003, 031, 033, 044 055, 056, 076*, 102 112, 190, 260
1140.xxx.l	5/8" Radius Corner Hinge – 4" x 4"	1 each	0.8	\$38

PACKED: One per box, each hinge poly-bagged with fasteners. Supplied with #10 x 1" Flat Head-Phillips wood screws.

NOTE: Hinge thickness: .090".

4045 Base Mounted Door Bumper



ITEM #	DESCRIPTION	PER BOX	WT.	003, 031, 033, 044 055, 056, 076*, 102 112, 190, 260
4045.xxx	Wall Door Bumper – 3" Proj., 1.1875" Dia.	10	2	\$21

FEATURES: Solid forged brass construction for maximum strength and durability. Stem of bumper has hexagon section to facilitate fastening without damaging finish. Resilient rubber guard is replaceable.

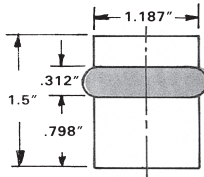
PACKED: Individually poly-bagged with appropriate fasteners (1 per poly bag).

FASTENERS: Supplied with wood screw thread.

Federal Specification Equivalents: Government Type: 1322

BHMA DESIGNATION: L02031

4505 Universal Floor Bumper



ITEM #	DESCRIPTION	PER BOX	WT.	003, 031, 033, 044 055, 056, 076*, 102 112, 190, 260
4505.xxx	Floor Bumper – 1.187" Dia.	10	4	\$34

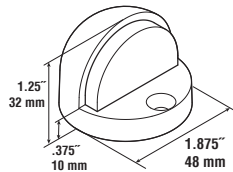
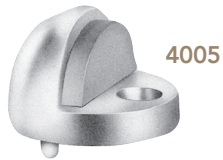
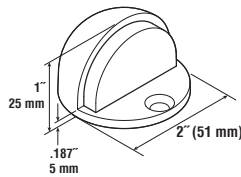
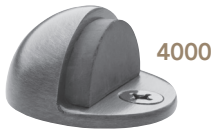
FEATURES: Designed for concealed mounting applications, this contemporary floor bumper contains the mounting screw within the body of the bumper. The rubber insert is located .798" (20mm) from the bottom to function on doors with a .375" (9.5mm) to a 1" (25mm) undercut. To facilitate the replacement of the rubber guard, simply remove the top cap.

PACKED: Individually poly-bagged with appropriate fasteners.

ORDERING INSTRUCTIONS: Supplied with a wood screw and plastic anchor.aa

REPLACEMENT RUBBER: No. 4507.406.00035 (Grey)

4000, 4005, 4010 Half Dome Door Bumpers



Item #	Description	Per Box	Wt.	030, 031, 033 044, 076*, 102, 112 140, 150, 190, 260
4000.xxx	Half Dome Door Bumper – 1"Ht.	50	12	\$20
4005.xxx	Half Dome Door Bumper – 1.25"Ht.	40	16.6	\$20

FEATURES: "Half Dome" design minimizes stumbling hazards and cleaning interference. Thick solid rubber bumper of special design is compounded for greater resiliency.

PACKED: Individually poly-bagged with appropriate fasteners in a dispensing type carton.

FASTENERS: Supplied with fasteners for wood, plaster, and masonry installations.

FEDERAL SPECIFICATION EQUIVALENTS: Government Type: 1330/1330A

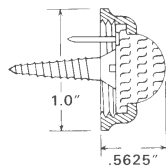
BHMA DESIGNATION: L02141 (No. 4000), L02161 (No. 4005)

REPLACEMENT RUBBER: No. 4000.406 for 4000/4005 (Grey)

4015, 4252 Convex Wall Bumpers



4015



Item #	Description	Per Box	Wt.	003, 031, 033, 044 055, 076*, 102, 112 140, 150, 190, 260
4015.xxx	Wall Flush Bumper – 1" Dia.	1	0.8	\$18
4252.xxx*	Wall Flush Bumper – Convex Design	1	10	\$18

*Not available in 055

4015 FEATURES: Compact designed bumper permits installation in areas where larger bumpers are not suitable due to size or projection. Fasteners are totally concealed underneath durable rubber insert.

4252 FEATURES: Engineered for commercial/residential installations, this compact and contemporary designed bumper features completely concealed fasteners for an unobtrusive and screwless appearance. Supplied with wood and masonry fasteners, it is furnished unassembled to facilitate the substitution of fasteners. Designed for ease of installation, the bumper is attached onto a heavy gauge metal back plate through a threading application. For a fully theft proof installation, the use of a strap wrench for tightening or several drops of Loctite Grade A is recommended.

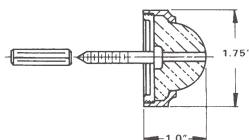
4252 PACKED: Individually poly-bagged with appropriate fasteners in a dispensing type carton.

FEDERAL SPECIFICATION EQUIVALENTS: Government Type: 1327 (4252 only)

BHMA DESIGNATION: L02101 (4015 & 4252)



4252



0102, 0103 Colonial Knocker



Item #	Description	Per Box	Wt.	003, 031, 033, 044, 055, 056, 076* 102, 112, 190, 260
0102.xxx	Colonial Knocker	1	1	\$88
0103.xxx	Colonial Knocker w/ Observascope	1	1	\$113

SIZE: 6.5" x 3.5" (165 x 89mm)

CTC OF BOLTS: 4" (102mm)

PACKED: One (1) in a box, poly-bagged, with proper fasteners for 1.75" thick doors

0113 "S" Knocker



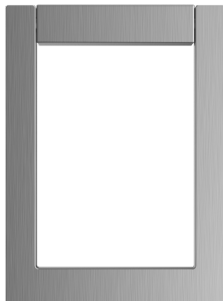
Item #	Description	Per Box	Wt.	003, 031, 033, 044, 055, 056, 076* 102, 112, 190, 260
0113.xxx	"S" Knocker	1	1.8	\$192

SIZE: 2" dia. base (51mm), 7.8" ht. (197mm), 2.8" projection (70mm)

CTC OF BOLTS: 4.75" (120mm)

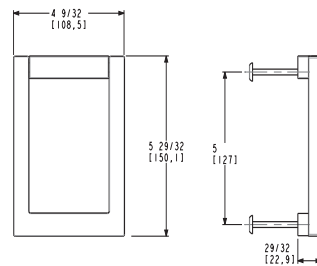
PACKED: One (1) in a box, poly-bagged, with proper fasteners for 1.75" thick doors

0183 Contemporary Knocker



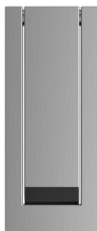
Item #	Description	Wt.	044, 055, 056, 076* 102, 112, 190, 260
0183.xxx	Contemporary Knocker		\$182

PACKED: One (1) in a box, poly-bagged, with proper fasteners for 1.75" thick doors.



0184, 0185 Modern Knocker

0184 Standalone

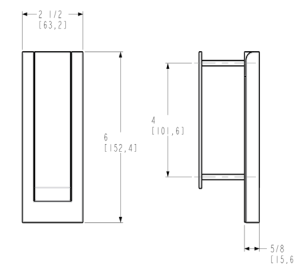


0185 Observascope



Item #	Description	Wt.	044, 055, 056, 076* 102, 112, 190, 260
0184.xxx	Modern Knocker		\$165
0185.xxx	Modern Knocker w/ Observascope		\$182

PACKED: One (1) in a box, poly-bagged, with proper fasteners for 1.75" thick doors.



0195 Ring Knocker



Item #	Description	Per Box	Wt.	003, 031, 033, 044 055, 056, 076*, 102 112, 150, 190, 260
0195.xxx	Ring Knocker	1	1.5	\$165

SIZE: 4.25" x 5.5" (108 x 140mm)

CTC OF BOLTS: 3.75" (95mm)

PACKED: One (1) in a box, poly-bagged, with proper fasteners for 1.75" thick doors

0155, 0156 Observascope



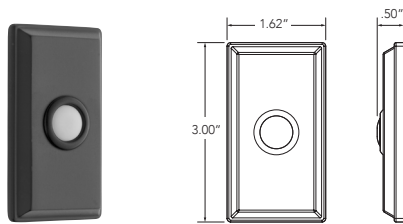
Item #	Description	Per Box	Wt.	030, 260
0155.xxx	Observ-O-Scope (doors <2.25" thick)	10	0.06	\$21
0156.xxx	Observ-O-Scope (doors 2.25-3.25" thick)	10	0.06	\$23

SIZE: .5" (13mm) diameter quality lens.

FEATURES: Exterior lens constructed of scientific glass to prohibit scratching while creating a field of vision exceeding 160°. All viewers are furnished with a shutter.

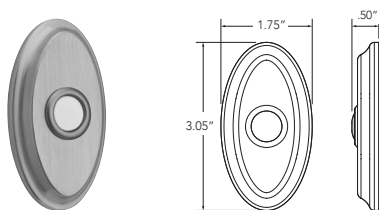
INSTALLATION: Drill a .5" (13mm) hole completely through the door; insert the lens portion into the exterior side and the slotted scope portion through the interior side. Tighten together with a standard screwdriver.

4860 Rectangular Bell Button



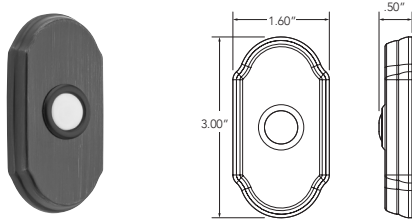
Item #	Description	Wt.	003, 031, 044 055, 056, 076*, 102 112, 150, 190, 260
4860.xxx	Rectangular Bell Button	0.3	\$45

4861 Oval Bell Button



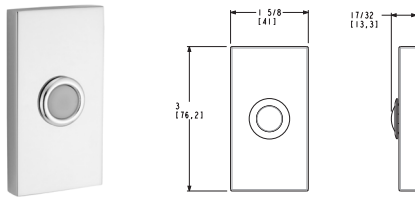
Item #	Description	Wt.	003, 031, 044 055, 056, 076*, 102 112, 150, 190, 260
4861.xxx	Oval Bell Button	0.3	\$45

4862 Arch Bell Button



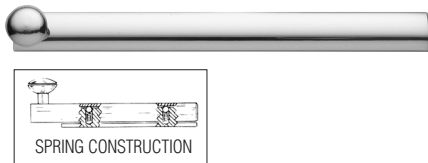
Item #	Description	Wt.	003, 031, 044, 055 056, 076*, 102, 112 150, 190, 260
4862.xxx	Arch Bell Button	0.3	\$45

4863 Rectangular Bell Button



Item #	Description	Wt.	044, 055, 056 076*, 102, 112 150, 190, 260
4863.xxx	Contemporary Bell Button	0.3	\$45

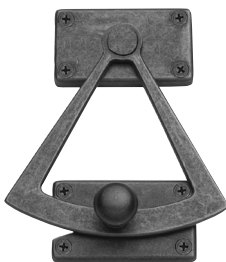
0321, 0322 General Purpose Surface Bolts
Supplied w/ 0320 Strikes



Item #	Description	Per Box	Wt.	003, 031, 033, 044 076*, 102, 112, 140 150, 190, 260
0321.xxx	Surface Bolt – 3"	10	1.8	\$36
0322.xxx	Surface Bolt – 4"	10	2.2	\$37

SIZES: .5"(13mm) width rod, .5"(13mm) width of guide, .875"(22mm) throw.
FEATURES: Mounted on a fully concealed guide of special design. Fasteners are not visible.
PACKED: Includes Universal and Mortise Strikes and screws.
BHMA DESIGNATION: L04151

0340

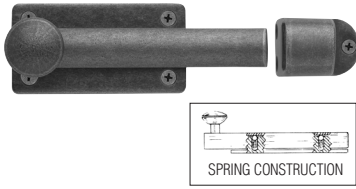


Item #	Description	Per Box	Wt.	003, 031, 033, 044 055, 056, 076*, 102 112, 190, 260
0340.xxx	Dutch Door Quadrant, 4" x 4.75"	1	0.7	\$110

SIZES: Base: 1.5" x 2.5"(38x64mm). Overall: 4" x 4.75"(102x121mm).
 Length of bolt: 4.25"(108mm). Bolt throw: 1.125"(28mm).
FEATURES: Fully reversible, non-handed Double the tensile strength of ordinary sand castings
 Self-lubricating nylon washer for positive constant tension When bolt is in locked position, both
 pivot and keeper are in straight line. Specially designed tapered strike promotes secure interlock
 of top and bottom leaves of Dutch doors.
PACKED: One in a box with wood screws.

0345 Heavy Duty Dutch Door Bolt

Supplied w/ 0310 Strike



Item #	Description	Per Box	Wt.	003, 031, 033
				044, 055, 056, 076*
0345.xxx	Dutch Door Bolt	1	3.8	102, 112, 190, 260
				\$110

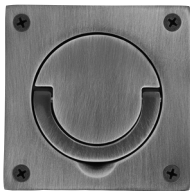
SIZES: Rod width: .625"(16mm). Guide width: 1.5"(38mm). Length of bolt: 4.25"(108mm). Bolt throw: 1.125"(28mm).

FEATURES: Our Dutch Door Bolt is made of heavy solid brass extrusions, precisely fitted for easier operation. When used on Dutch doors the leaves of doors are tightly joined by chamfered rod end. Proper amount of play is provided in strike allowing for misalignment of the two leaves. This prevents bolt from binding. Large and decorative 1.25"(32mm) diameter knob is for easier handling.

PACKED: 5 in a box with proper fasteners and strike as illustrated.

STRIKES: Universal, Angle, Mortise, and Surface Strikes available at an extra charge. Consult price list.

0397 Flush Cup Handle & Ring Pull



Item #	Description	Per Box	Wt.	003, 031, 033,
				044, 055, 056, 076*
0397.xxx	Flush Cup Handle (Brass) – 3.5"x 3.5"	1	0.9	102, 112, 190, 260
				\$209

FEATURES: Solid forged construction for maximum strength and durability, Flush Ring Pulls, are recommended for marine use and where flush installation is essential.

PACKED: Includes wood screws.

BHMA DESIGNATION: J404

NOTES: Not intended to be used as a tie down.

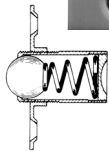
IMPORTANT: No. 0397 Flush Ring Pull is specifically designed for use with mortise locks/latches. Available only for back-to-back or single mounting applications on 2"(51mm) minimum thick doors or 1.75"(44mm) minimum thick doors with .25"(6mm) minimum applied panel. Application must be designated when ordering.

0425, 0426 Adjustable Ball Catch

0425



0426



Item #	Description	Wt.	003, 031, 033, 044
			055, 056, 076*, 102
0425.xxx	Adjustable Ball Catch (fitted in jamb)	2.1	112, 140, 190, 260
0426.xxx	Adjustable Ball Catch (fitted in door)	2.2	\$28

SIZE: Face Plate: 1" x 2.125"(25 x 54mm)
Bore: .875" dia. x 1.25" long (22 x 32mm)
0425.xxx Strike: 1.06" x 2.125", Lip to Center: .56"
0426.xxx Strike: 1.375" x 2.125", Lip to Center: .875"

FEATURES: Dual adjustment ball bearing catch of excellent design takes advantage of rolling ball action for perfect tension. Infinite adjustments for compensation of various door clearances, swelling, shrinking, drafts and weights. Recommended for use on louvered, bi-folding, accordion, closet and light to medium service doors.

PACKED: Includes wood screws.

FEDERAL SPECIFICATION EQUIVALENTS: Government Type: 1861

BHMA DESIGNATION: D2801

NOTES: Not recommended for doors larger than for doors larger than 3.0' x 6'8" x 1.75" thick.

0440 Adjustable Roller Catch



Item #	Description	Wt.	003, 031, 033, 044, 076*
			102, 112, 140, 190, 260
0440.xxx	Adjustable Roller Catch	2.2	\$33

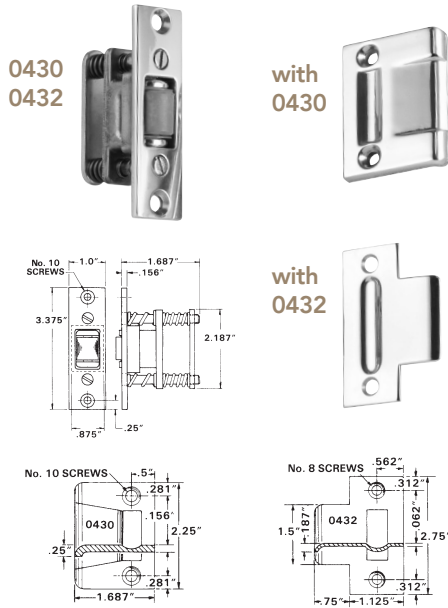
SIZE: Face Plate: 1" x 2.25"(25x57mm)
Bore: 1" dia. x 1.625" long (25x41mm)
Strike: 1.125" x 2.75"(29x70mm)
Lip to Center: 1.312"(33mm)

FEATURES: Adjustable tension heavy duty roller catches made for cabinet, closet and interior doors. (Recommended for 1.375" thick hollow core doors). Easily installed on thick doors. Smooth action. Fully adjustable from 3 lbs. (1.36kg) to 18lbs. (8.16kg) of heading pressure. Equipped with durable nylon roller for quiet operation.

PACKED: Includes fasteners.

0430, 0432 Roller Latch

w/ Strike



Item #	Description	Wt.	003, 031, 033, 044
			076*, 102, 112, 140 150, 190, 260
0430.xxx	Roller Latch w/ Full Lip Strike	0.7	\$106
0432.xxx	Roller Latch w/ t Strike	0.7	\$106

SIZE: 0432.xxx Lip To Center Dimension: 1.25"(32mm).

FEATURES: Designed for use on interior doors in hospitals or where quiet operation is required. Very sturdy all forged brass construction throughout. Specifically compounded rubber roller silently engages the strike and holds the door firmly closed without the loud clicks of ordinary locks. The projection of the roller is adjustable for various door clearances. Specially designed adjusting screws, mounted in the face plate, permit fine and accurate adjustment of the roller projection for various door clearances after installation. Designed to ANSI template specifications.

PACKED: Includes wood screws and machine screws.

TEMPLATE: Doors/frames to be prepared in accordance with ANSI A115.1-1976 or A115.2-1980.

ORDERING INSTRUCTIONS: Item number listed under illustrated strike designates complete latch unit and strike. (Example: 0431 includes latch mechanism and ASA strike.)

FEDERAL SPECIFICATION EQUIVALENTS: Government Type: 193

BHMA DESIGNATION: EO9091

0452 Sash Lock



Item #	Description	Wt.	003, 031, 033, 044
			050, 055, 056, 076* 102, 112, 190, 260
0452.xxx	Sash Lock	2.2	\$25

SIZE: Latch Base: .968" x 2.437" (25 x 62mm), Strike Base: .656" x 2.437" (15 x 62mm)

PROJECTION: .906" (23mm)

CTC OF HOLES: 2" (51mm)

FEATURES: Traditional style sash lock with heavy duty spring to provide constant tension for a non-rattling fit. Center to center of mounting screws conforms to industry standards.

PACKED: Includes necessary fasteners.

BHMA DESIGNATION: L05121

0458 Flush Pull



Item #	Description	Wt.	003, 031, 033, 044
			055, 076*, 102, 112 150, 190, 260
0458.xxx	Flush Pull, 1.5" x 3.5"	2.7	\$33

SIZE: Base: 1.5" x 3.5" (38 x 89mm)

THICKNESS OF FLANGE: .187" (5mm)

FEATURES: Decorative flush pull designed to be used as a sash lift or sliding door pull if pocket allows clearance. Colonial design makes it suitable for Early American interiors. Extra heavy solid forged brass construction.

NOTE: Pull has .25" projection

PACKED: Includes wood screws.

0470 Sash Lift



Item #	Description	Wt.	003, 031, 033, 044, 055, 076*, 102 112, 150, 190, 260
0470.xxx	Sash Lift, 4" x 1.125"	1	\$28

SIZE: Base: 4" x 1.125" (102 x 29mm)

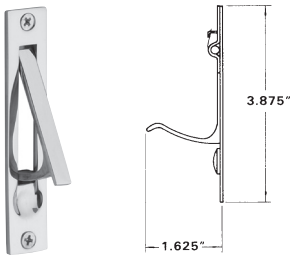
PROJECTION: .1" (25mm)

PACKED: Includes wood screws.

FEDERAL SPECIFICATION EQUIVALENTS: Government Type: 1204

BHMA DESIGNATION: L05181

0465 Edge Pull



Item #	Description	Wt.	003, 031, 033, 044, 055, 056, 076* 102, 112, 190, 260
0465.xxx	Edge Pull - .75" x 1.625" x 3.875"	1.2	\$22

FEATURES: Specially designed spring loaded Edge Pull returns lever flush with face plate. Narrow design eliminates installation problems on thin door conditions. Intended for use on pocket door applications.

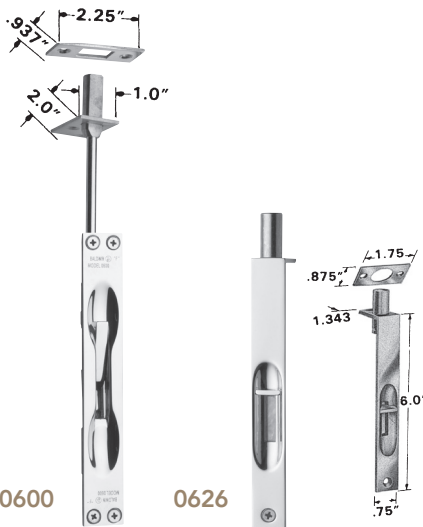
PACKED: Includes wood screws.

FEDERAL SPECIFICATION EQUIVALENTS: Government Type: 1861

BHMA DESIGNATION: D2801

NOTES: Not recommended for doors larger than 3.0' x 6'8" x 1.75" thick.

0600, 0626 Flush Bolts



Item #	Description	Wt.	003, 031, 033, 044 055, 056, 076*, 102 112, 140, 190, 260
0600.xxx.12	Flush Bolt w/ 12" Rod (Standard)	1.8	\$75
0626.xx*	Flush Bolt - 6"	3.8	\$32

0600.xxx

SIZE: Face Plate: 1" x 6.75" (25mm x 171mm), Bolt Head: .5" (13mm), Rod Backset: .75" (19mm)

FEATURES: Hot forged extension bolt having over .75" (19mm) throw. Unique push button design of lever and delay action for easy operation. Lever does not engage the bolt until it is hinged freely to 45 angle. At this position it is easy to move the bolt head. Lever snaps automatically when hinged beyond 45 angle. Made to template for easy installation in metal door frames. Use of strike optional.

PACKED: One in a box with 12" (305mm) rods standard. Bolts packed with machine/wood screws for all conditions. Lengths given are from center of bolt mechanism with bolt retracted.

FEDERAL SPECIFICATION EQUIVALENTS: Government Type: 1049

BHMA DESIGNATION: LO4081

0626.xxx

*0626 not available in 055 or 056

SIZE: 1" Throw, .47" Backset of Rod, .5" Bolt Head Diameter.

FEATURES: 6" (152mm) length. Sharply defined edge and recess. Smooth working action with automatic holding spring for both retracted and projected positions.

PACKED: Individually poly-bagged with screws and strike.

0742, 0781, 0782 Costume Hook



Item #	Description	Wt.	003, 031, 033 044, 102, 112, 140 150, 190, 260
0742.xxx	Costume Hook, 5.375" (137mm) h. x 3.5" (89mm) p.	0.5	\$41

HEIGHT: 2.25" (57mm)

PROJECTION: 3" (76mm)

FEDERAL SPECIFICATION EQUIVALENTS: Government Type: 1172

BHMA DESIGNATION: LO3111

4416 Octagonal Knob



ITEM #	DESCRIPTION	003, 031, 044, 055 112, 150, 190, 260
4416.xxx.bin	Octagonal Knob – 1.5" d. x 1.14" p.	\$26

PACKED: In individual poly bags and protective cartons with .75" long truss head screws.
 All bags are coded with product number, description & UPC code.

4417, 4418, 4419, 4420 Octagonal Pull



4417



4418



4419

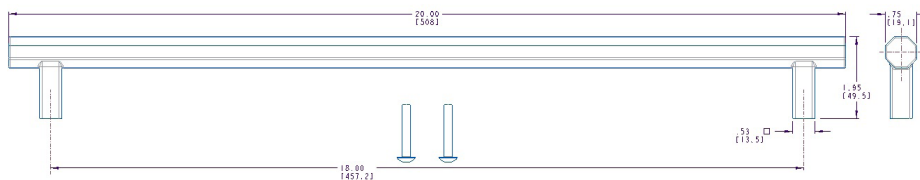


4420

ITEM #	DESCRIPTION	003, 031, 044, 055 112, 150, 190, 260
4417.xxx.bin	Octagonal Pull – 4" CTC x 1.24" p.	\$36
4418.xxx.bin	Octagonal Pull – 6" CTC x 1.24" p.	\$40
4419.xxx	Octagonal Pull - 12" CTC x 1.24" p.	\$150
4420.xxx	Octagonal Appliance Pull - 18" CTC	\$220

NOTE: 4" and 6" Pulls use 8-32 x 1" screws and mount on .75" thick doors/cabinets.
 12" and 18" Pulls use 10-24 X 1.3" screws and mount on doors between .75" to 1" thick.

PACKED: All bags are coded with product number, description and UPC code.
 12" and 18" Pulls ship one pull and screw pack in a box, and coded with product number, description and UPC code.



4420 (18")

4425 Rectangle Raised Knob



ITEM #	DESCRIPTION	003, 031, 044, 055 112, 150, 190, 260
4425.xxx.bin	Raised Knob – 1.5" d. x 1.1" p.	\$26

PACKED: In individual poly bags and protective cartons with .75" long truss head screws.
 All bags are coded with product number, description & UPC code.

4426, 4427, 4428, 4429 Raised Pull

ITEM #	DESCRIPTION	003, 031, 044, 055 112, 150, 190, 260
4426.xxx.bin	Raised Pull – 4" CTC x 1.38" p.	\$36
4427.xxx.bin	Raised Pull – 6" CTC x 1.38" p.	\$40
4428.xxx	Raised Pull - 12" CTC x 1.38" p.	\$150
4429.xxx	Raised Appliance Pull - 18" CTC	\$220

NOTE: 4" and 6" Pulls use 8-32 x 1" screws and mount on .75" thick doors/cabinets.
 12" and 18" Pulls use 10-24 X 1.3" screws and mount on doors between .75" to 1" thick.

PACKED: All bags are coded with product number, description and UPC code.
 12" and 18" Pulls ship one pull and screw pack in a box, and coded with product number, description and UPC code.

4426



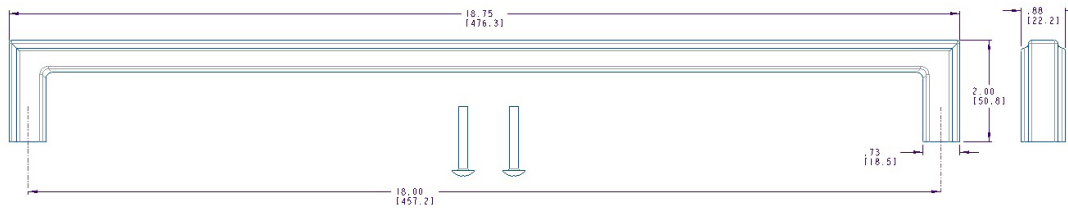
4427



4428



4429



4429 (18 INCH)

4410, 4411 Bevel Knob

ITEM #	DESCRIPTION	031, 044, 055 112, 150, 190, 260
4410.xxx.bin	Bevel Knob – 1.25" d. x 1" p.	\$22
4411.xxx.bin	Bevel Knob – 1.5" d. x 1" p.	\$26

NOTE: All knobs use 8-32 x 1" screws and mount on 3/4" thick doors/cabinets.
PACKED: All bags are coded with product number, description and UPC code.

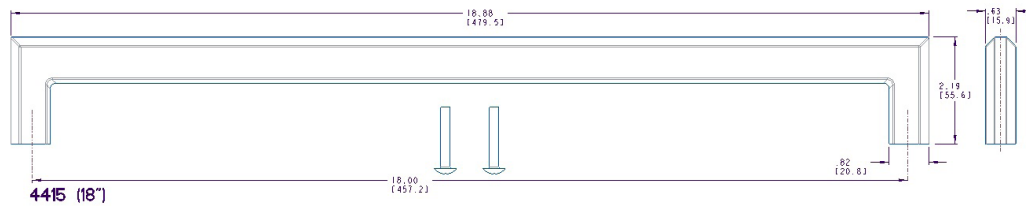
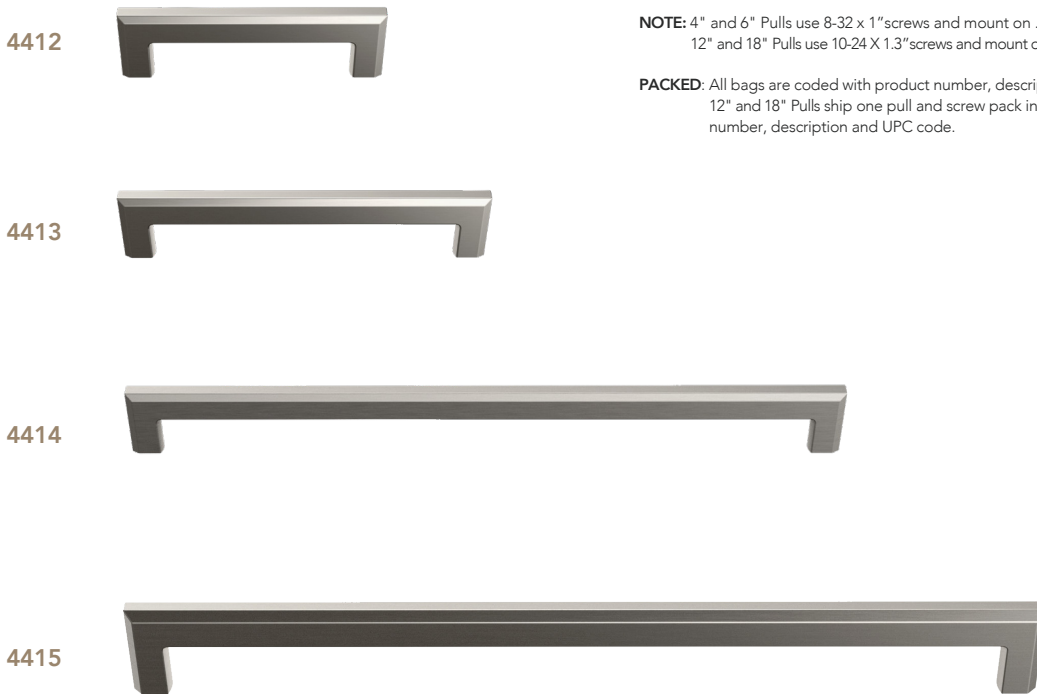


4412, 4413, 4414, 4415 Bevel Pull

ITEM #	DESCRIPTION	031, 044, 055 112, 150, 190, 260
4412.xxx.bin	Bevel Pull – 4" CTC x 1.35" p.	\$36
4413.xxx.bin	Bevel Pull – 6" CTC x 1.35" p.	\$40
4414.xxx	Bevel Pull - 12" CTC x 1.35" p.	\$150
4415.xxx	Bevel Appliance Pull - 18" CTC	\$220

NOTE: 4" and 6" Pulls use 8-32 x 1" screws and mount on .75" thick doors/cabinets.
12" and 18" Pulls use 10-24 X 1.3" screws and mount on doors between .75" to 1" thick.

PACKED: All bags are coded with product number, description and UPC code.
12" and 18" Pulls ship one pull and screw pack in a box, and coded with product number, description and UPC code.



4404, 4405 Contemporary Knob

ITEM #	DESCRIPTION	031, 044, 055 112, 150, 190, 260
4404.xxx.bin	Contemporary Knob – 1.25" d. x 1.06" p.	\$22
4405.xxx.bin	Contemporary Knob – 1.5" d. x 1.06" p.	\$26

PACKED: In individual poly bags and protective cartons with .75" long truss head screws.
 All bags are coded with product number, description & UPC code.

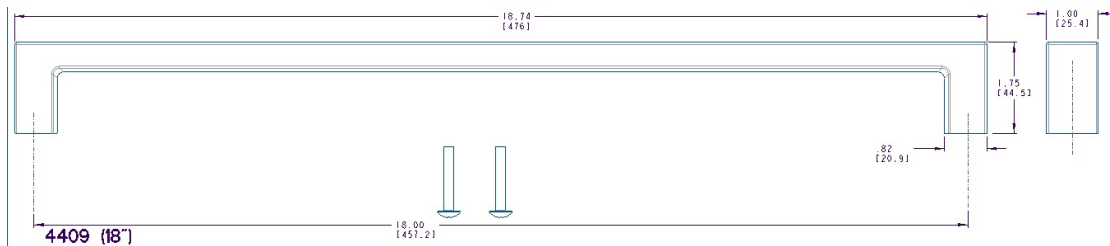


4406, 4407, 4408, 4409 Contemporary Pull

ITEM #	DESCRIPTION	031, 044, 055 112, 150, 190, 260
4406.xxx.bin	Contemporary Pull – 4" CTC x 1.25" p.	\$36
4407.xxx.bin	Contemporary Pull – 6" CTC x 1.25" p.	\$40
4408.xxx	Contemporary Pull - 12" CTC x 1.25" p.	\$150
4409.xxx	Contemporary Appliance Pull - 18" CTC	\$220

NOTE: 4" and 6" Pulls use 8-32 x 1" screws and mount on .75" thick doors/cabinets.
 12" and 18" Pulls use 10-24 X 1.3" screws and mount on doors between .75" to 1" thick.

PACKED: All bags are coded with product number, description and UPC code.
 12" and 18" Pulls ship one pull and screw pack in a box, and coded with product number, description and UPC code.



4430 Gramercy Knob



ITEM #	DESCRIPTION	031, 044, 055 112, 150, 190, 260
4430.xxx.bin	Gramercy Knob – 1.5" d.	\$26

NOTE: Knob comes with optional base plate to sit below knob base to best protect soft wood cabinets. All knobs use 8-32 x 1" screws and mount on 3/4" thick doors/cabinets.

PACKED: All bags are coded with product number, description and UPC code.



Shown with optional base plate.

4431, 4432, 4433, 4434 Gramercy Pull

4431



4432



4433



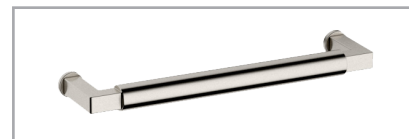
4434



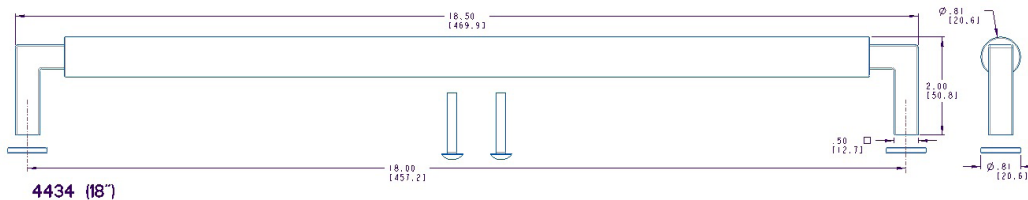
ITEM #	DESCRIPTION	031, 044, 055 112, 150, 190, 260
4431.xxx.bin	Gramercy Pull – 4" CTC x 1.34" p.	\$36
4432.xxx.bin	Gramercy Pull – 6" CTC x 1.34" p.	\$40
4433.xxx	Gramercy Pull - 12" CTC x 1.34" p.	\$150
4434.xxx	Gramercy Appliance Pull - 18" CTC	\$220

NOTE: 4" and 6" Pulls use 8-32 x 1" screws and mount on .75" thick doors/cabinets. 12" and 18" Pulls use 10-24 X 1.3" screws and mount on doors between .75" to 1" thick. Pulls come with optional base plates to sit beneath the pull legs. This is not required and is included for an optional design aesthetic.

PACKED: All bags are coded with product number, description and UPC code. 12" and 18" Pulls ship one pull and screw pack in a box, and coded with product number, description and UPC code.



Shown with optional base plates.



4970 Palm Springs Knob



ITEM #	DESCRIPTION	003, 031, 044, 055 112, 150, 190, 260
4970.xxx.bin	Palm Springs Knob – 1.5" d. x .65" x 1.145" p.	\$26

PACKED: In individual poly bags and protective cartons with .75" long truss head screws.
 All bags are coded with product number, description & UPC code.

4971, 4976, 4957, 4958 Palm Springs Pulls

ITEM #	DESCRIPTION	003, 031, 044, 055 112, 150, 190, 260
4971.xxx.bin	Palm Springs Pull – 4" CTC x 1.145" p.	\$36
4976.xxx.bin	Palm Springs Pull – 6" CTC x 1.145" p.	\$40
4957.xxx	Palm Springs Pull - 12" CTC	\$150
4958.xxx	Palm Springs Appliance Pull - 18" CTC	\$220

NOTE: 4" and 6" Pulls use 8-32 x 1" screws and mount on .75" thick doors/cabinets.
 12" and 18" Pulls use 10-24 X 1.3" screws and mount on doors between .75" to 1" thick.

PACKED: All bags are coded with product number, description and UPC code.
 12" and 18" Pulls ship one pull and screw pack in a box, and coded with product number, description and UPC code.

4971



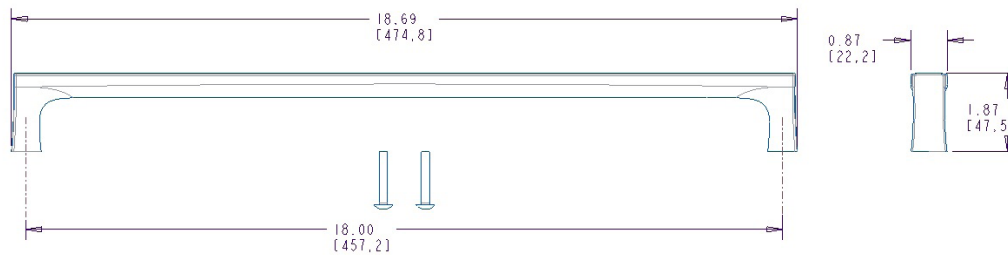
4976



4957



4958



4972, 4973 Hollywood Hills Knob

4972



4973



ITEM #	DESCRIPTION	003, 031, 044, 055 112, 150, 190, 260
4972.xxx.bin	Hollywood Hills Knob - 1.25" d.	\$22
4973.xxx.bin	Hollywood Hills Knob - 1.5" d. x 1.125" p	\$26

PACKED: In individual poly bags and protective cartons with .75" long truss head screws. All boxes are coded with product number, description & UPC code.

4400, 4486, 4955, 4956 Hollywood Hills Pulls

4400



4486



4955



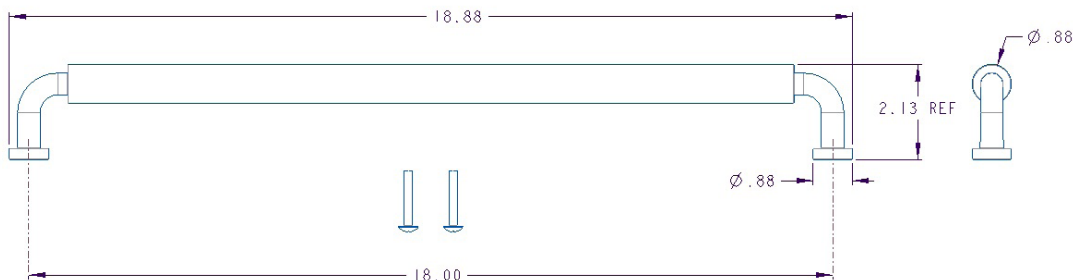
4956



ITEM #	DESCRIPTION	003, 031, 044, 055 112, 150, 190, 260
4400.xxx.bin	Hollywood Hills Pull - 4" CTC x 1.25" p	\$36
4486.xxx.bin	Hollywood Hills Pull - 6" CTC x 1.25" p	\$40
4955.xxx	Hollywood Hills Pull - 12" CTC x 1.25" p.	\$150
4956.xxx	Hollywood Hills Appliance Pull - 18" CTC	\$220

NOTE: 4" and 6" Pulls use 8-32 x 1" screws and mount on .75" thick doors/cabinets. 12" and 18" Pulls use 10-24 X 1.3" screws and mount on doors between .75" to 1" thick.

PACKED: All bags are coded with product number, description and UPC code. 12" and 18" Pulls ship one pull and screw pack in a box, and coded with product number, description and UPC code.



4956 (18")

CABINET HARDWARE
SEVERIN FAYERMAN A

4452, 4453 Severin Fayerman Collection A Knob

ITEM #	DESCRIPTION	003, 031, 044, 055 112, 150, 190, 260
4452.xxx.bin	Severin A Knob - 1" d.	\$22
4453.xxx.bin	Severin A Knob - 1.25" d. x 1.13" p.	\$26

PACKED: In individual poly bags and protective cartons with .75" long truss head screws.
 All bags are coded with product number, description & UPC code.



**4357, 4947, 4359, 4360
 Severin Fayerman Collection A Pulls**

ITEM #	DESCRIPTION	003, 031, 044, 055 112, 150, 190, 260
4357.xxx.bin	Severin A Pull - 4" CTC x 1.3" p.	\$36
4947.xxx.bin	Severin A Pull - 6" CTC x 1.3" p.	\$40
4359.xxx.bin	Severin A Pull - 12" CTC x 1.3" p.	\$150
4360.xxx.bin	Severin A Appliance Pull - 18" CTC	\$220

NOTE: 4" and 6" Pulls use 8-32 x 1" screws and mount on .75" thick doors/cabinets.
 12" and 18" Pulls use 10-24 X 1.3" screws and mount on doors between .75" to 1" thick.

PACKED: All bags are coded with product number, description and UPC code.
 12" and 18" Pulls ship one pull and screw pack in a box, and coded with product number, description and UPC code.

Dimensions	Mount CTC	Face Width
4359	12"	13.21"
4360	18"	19.21"

4357



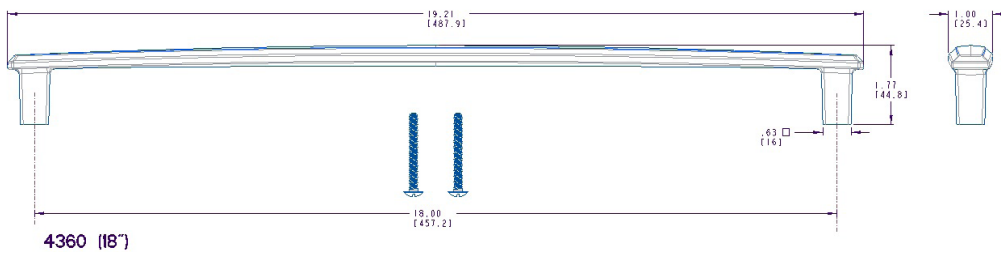
4947



4359



4360



4623 Modern Knob



ITEM #	DESCRIPTION	031, 044, 055 112, 150, 190, 260
4623.xxx.bin	Modern Knob – 1.5”d. x 1.07” p.	\$26

NOTE: Knobs use 8-32 x 1” screws and mount on 3/4” thick doors/cabinets.

PACKED: All boxes are coded with product number, description and UPC code.

4624, 4625 Modern Pull

4624



4625



ITEM #	DESCRIPTION	031, 044, 055 112, 150, 190, 260
4624.xxx.bin	Modern Pull – 4” CTC x 1.07” p.	\$36
4625.xxx.bin	Modern Pull – 6” CTC x 1.07” p.	\$40

NOTE: Pulls use 8-32 x 1” screws and mount on 3/4” thick doors/cabinets. The 4624 Pull can accommodate a pre-drilled 3”, 3.5” and 4” CTC widths.

PACKED: All boxes are coded with product number, description and UPC code.

4620, 4621, 4622 Edge Pull

4620



4621



4622



ITEM #	DESCRIPTION	003, 044, 055 112, 150, 190, 260
4620.xxx.bin	Edge Pull – 2” CTC x 1.125” p.	\$26
4621.xxx.bin	Edge Pull – 4” CTC x 1.125” p.	\$36
4622.xxx.bin	Edge Pull – 6” CTC x 1.125” p.	\$40

NOTE: Pulls use 8-32 x 1” screws and mount on 3/4” thick doors/cabinets.

PACKED: All boxes are coded with product number, description and UPC code.

4402, 4403 Tulip Knob

4402



4403



ITEM #	DESCRIPTION	003, 031, 044, 055 112, 150, 190, 260
4402.xxx.bin	Tulip Knob - 1.25" d. x 1.2" p.	\$22
4403.xxx.bin	Tulip Knob - 1.5" d. x 1.2" p.	\$26

NOTE: All knobs use 8-32 x 1" screws and mount on 3/4" thick doors/cabinets.

PACKED: All bags are coded with product number, description and UPC code.

4454, 4456 Severin Fayerman Collection Knob

4452



4456



ITEM #	DESCRIPTION	003, 031, 044, 055 112, 150, 190, 260
4454.xxx.bin	Severin C Knob - 1" d.	\$22
4456.xxx.bin	Severin C Knob - 1.32" d. x 1.24" p.	\$26

NOTE: All knobs use 8-32 x 1" screws and mount on 3/4" thick doors/cabinets.

PACKED: All bags are coded with product number, description and UPC code.

4490, 4491 Dominion Knob

4490
4491



ITEM #	DESCRIPTION	003, 031, 044, 055 112, 150, 190, 260
4490.xxx.bin	Dominion Knob - 1" d. x 1.0" p.	\$18
4491.xxx.bin	Dominion Knob - 1.25" d. x 1.0" p.	\$20

NOTE: Knobs use 8-32 x 1" screws and mount on 3/4" thick doors/cabinets.

PACKED: All bags are coded with product number, description and UPC code.

4704, 4706 Classic Knob

4704
4706



ITEM #	DESCRIPTION	003, 031, 044, 055 112, 150, 190, 260
4704.xxx.bin	Classic Knob - 1" d. x .937" p.	\$18
4706.xxx.bin	Classic Knob - 1.25" d. x 1.157" p.	\$20

NOTE: Knobs use 8-32 x 1" screws and mount on 3/4" thick doors/cabinets.

PACKED: All bags are coded with product number, description and UPC code.

4910, 4913 Oval Knob

4910
4913



ITEM #	DESCRIPTION	003, 031, 044, 055 112, 150, 190, 260
4910.xxx.bin	Oval Knob - 1.125" d. x .75" x 1.1" p.	\$18
4913.xxx.bin	Oval Knob - 1.312" d. x 1" x 1.4" p.	\$20

NOTE: Knobs use 8-32 x 1" screws and mount on 3/4" thick doors/cabinets.

PACKED: All bags are coded with product number, description and UPC code. 5/8" diameter at base

4960, 4961 Spherical Knob

4960
4961



ITEM #	DESCRIPTION	030, 055, 102 112, 150, 260
4960.xxx.bin	Spherical Knob - 1" d. x 1.312" p.	\$18
4961.xxx.bin	Spherical Knob - 1.25" d. x 1.562" p.	\$20

NOTE: Knobs use 8-32 x 1" screws and mount on 3/4" thick doors/cabinets.

PACKED: All bags are coded with product number, description and UPC code.

4421, 4422 Transitional Cup Pull



Item #	Description	003, 031, 044, 055 112, 150, 190, 260
4421.xxx.bin	Transitional Cup Pull – 4" CTC	\$50
4422.xxx.bin	Transitional Cup Pull – 6" CTC	\$60

NOTE: Pulls use 8-32 x 1" screws and mount on 3/4" thick doors/cabinets.

PACKED: All boxes are coded with product number, description and UPC code.

4424 Cup Pull



ITEM #	DESCRIPTION	003, 031, 044, 055 112, 150, 190, 260
4424.xxx.bin	Cup Pull – 4" CTC x 1.2" p.	\$30

NOTE: Pulls use 8-32 x 1" screws and mount on 3/4" thick doors/cabinets.

PACKED: All bags are coded with product number, description and UPC code.

4480, 4401 Oval Pull



ITEM #	DESCRIPTION	003, 031, 044, 055 112, 150, 190, 260
4480.xxx.bin	Oval Pull – 4" CTC	\$26
4401.xxx.bin	Oval Pull – 6" CTC	\$28

NOTE: Pulls use 8-32 x 1" screws and mount on 3/4" thick doors/cabinets.

PACKED: All bags are coded with product number, description and UPC code.

4964, 4946 Colonial Pull

4964



4946



ITEM #	DESCRIPTION	003, 031, 044, 055 112, 150, 190, 260
4964.xxx.bin	Colonial Pull - 4" CTC	\$34
4946.xxx.bin	Colonial Pull - 6" CTC	\$40

NOTE: Pulls use 8-32 x 1" screws and mount on 3/4" thick doors/cabinets.

PACKED: All bags are coded with product number, description and UPC code.

**4362, 4364, 4365, 4395
 Severin Fayerman Collection B Pulls**

4362



4395



4364



4365

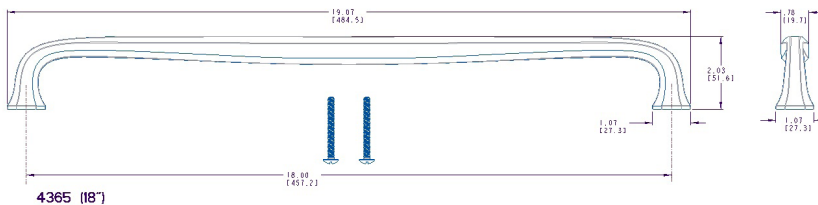


ITEM #	DESCRIPTION	003, 031, 044, 055 112, 150, 190, 260
4362.xxx.bin	Severin B Pull - 4" CTC	\$36
4395.xxx.bin	Severin B Pull - 6" CTC	\$40
4364.xxx	Severin B Pull - 12" CTC	\$150
4365.xxx	Severin B Appliance Pull - 18" CTC	\$220

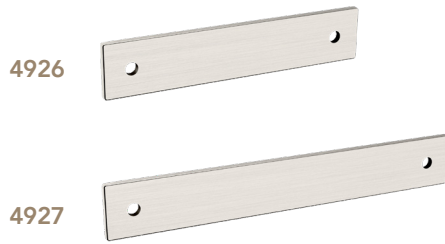
NOTE: 4" and 6" Pulls use 8-32 x 1" screws and mount on .75" thick doors/cabinets.
 12" and 18" Pulls use 10-24 X 1.3" screws and mount on doors between .75" to 1" thick.

PACKED: All bags are coded with product number, description and UPC code.
 12" and 18" Pulls ship one pull and screw pack in a box, and coded with product number, description and UPC code.

Dimensions	Mount CTC	Face Width	Face Height
4364	12"	12.9"	0.9"
4365	18"	19.1"	1.07"



4926, 4927 Contemporary Back Plate

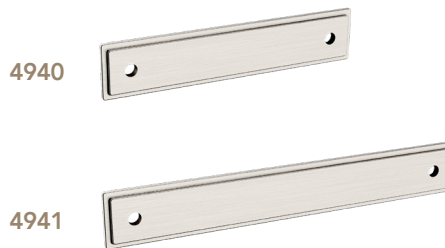


ITEM #	DESCRIPTION	003, 031, 044, 055 112, 150, 190, 260
4926.xxx.bin	Cont. Back Plate – 4" CTC	\$18
4927.xxx.bin	Cont. Back Plate – 6" CTC	\$20

NOTE: Pair with any 4" or 6" CTC pull.

PACKED: All bags are coded with product number, description and UPC code.

4940, 4941 Transitional Back Plate



ITEM #	DESCRIPTION	003, 031, 044, 055 112, 150, 190, 260
4940.xxx.bin	Trans. Back Plate – 4" CTC	\$18
4941.xxx.bin	Trans. Back Plate – 6" CTC	\$20

NOTE: Pair with any 4" or 6" CTC pull.

PACKED: All bags are coded with product number, description and UPC code.

4902 Knob Back Plate



Item #	Description	003, 031, 044, 055 112, 150, 190, 260
4902.xxx.bin	Knob Back Plate – 1.5" d.	\$14

PACKED: In individual polybags. All bags are coded with product number, description and UPC code.

4455 Severin Fayerman Collection Knob



Available while supplies last.

ITEM #	DESCRIPTION	STD BOX	WT./ BOX	030, 112 140, 150, 260
4455.xxx.bin	Severin B Knob - 1.06"x .88"p.	12	1.8	\$24

NOTE: All knobs use 8-32 x 1" screws and mount on 3/4" thick doors/cabinets.

PACKED: All bags are coded with product number, description and UPC code.

4458, 4459 Melon Knob

4458
4459



Available while supplies last.

ITEM #	DESCRIPTION	WT./ BOX	030, 112 140, 150, 260
4458.xxx.bin	Melon Knob - 1.17"d. x 1.1"p.	4.7	\$18
4459.xxx.bin	Melon Knob - 1.36"d. x 1.3"p.	5.8	\$20

NOTE: All knobs use 8-32 x 1" screws and mount on 3/4" thick doors/cabinets.

PACKED: All bags are coded with product number, description and UPC code.

4493, 4494 Deco Knob

4493
4494



Available while supplies last.

ITEM #	DESCRIPTION	WT./ BOX	030, 050 102, 150, 260
4493.xxx.bin	Deco Knob - 1.25"d. x 1.2"p.	6.8	\$12
4494.xxx.bin	Deco Knob - 1.5"d. x 1.3"p.	9.3	\$15

NOTE: Knobs use 8-32 x 1" screws and mount on 3/4" thick doors/cabinets.

PACKED: All bags are coded with product number, description and UPC code.

4629, 4630 Round Edinburgh Knob

4629
4630



Available while supplies last.

ITEM #	DESCRIPTION	WT./ BOX	030, 112 150, 260
4629.xxx.bin	Round Edinburgh Knob - 1.25"d. x 1.0"p.	4.1	\$20
4630.xxx.bin	Round Edinburgh Knob - 1.5"d. x 1.0"p.	5.6	\$21

NOTE: Knobs use 8-32 x 1" screws and mount on 3/4" thick doors/cabinets.

PACKED: All bags are coded with product number, description and UPC code.

4635 Couture Collection Knob



Available while supplies last.

ITEM #	DESCRIPTION	WT./ BOX	030, 050 112, 150, 260
4635.xxx.bin	Couture Knob - 1.33" diameter x 1.15" projection	2.7	\$24

NOTE: Knobs use 8-32 x 1" screws and mount on 3/4" thick doors/cabinets.

PACKED: All bags are coded with product number, description and UPC code.

4636 Couture Collection Knob



Available while supplies last.

ITEM #	DESCRIPTION	WT./ BOX	030, 050 112, 150, 260
4636.xxx.bin	Couture Knob - 1.27"d. x 1"p.	2.4	\$24

NOTE: Knobs use 8-32 x 1" screws and mount on 3/4" thick doors/cabinets.

PACKED: All bags are coded with product number, description and UPC code.

KNOB'S AVAILABLE WHILE SUPPLIES LAST

4645, 4646 Rope Knob

4645
4646



Available while supplies last.

ITEM #	DESCRIPTION	WT./ BOX	030, 050
			112, 150, 260
4645.xxx.bin	Rope Knob – 1.25”d. x 1.0”p.	4	\$21
4646.xxx.bin	Rope Knob – 1.5”d. x 1.2”p.	6.3	\$32

NOTE: Knobs use 8-32 x 1”screws and mount on 3/4”thick doors/cabinets.

PACKED: All bags are coded with product number, description and UPC code.

4650, 4655, 4660 Colonial Knob

4650
4655
4660



Available while supplies last.

ITEM #	DESCRIPTION	WT./ BOX	030, 050
			102, 112 140, 150, 260
4650.xxx.bin**	Colonial Knob – 1”d. x .9”p.	2.5	\$15
4655.xxx.bin	Colonial Knob – 1.25”d. x 1.0”p.	4	\$16
4660.xxx.bin	Colonial Knob – 1.5”d. x 1.2”p.	5.8	\$20

** Not available in 112 & 140

NOTE: Knobs use 8-32 x 1”screws and mount on 3/4”thick doors/cabinets.

PACKED: All bags are coded with product number, description and UPC code.

4702, 4708, 4709

4702
4708
4709



Available while supplies last.

ITEM #	DESCRIPTION	WT./ BOX	030, 050
			102, 112 140, 150, 260
4702.xxx.bin**	Classic Knob – .75”d. x .812”p.	1.8	\$11
4708.xxx.bin	Classic Knob – 1.5”d. x 1.406”p.	10.4	\$28
4709.xxx.bin†	Classic Knob – 1.75”d. x 1.820”p.	8.5	\$35

** Not available in 112 & 140

†4709 is furnished with No. 1/4-20 x 1.25”long truss head screw.

NOTE: Knobs use 8-32 x 1”screws and mount on 3/4”thick doors/cabinets.

PACKED: All bags are coded with product number, description and UPC code.

4939 Oval Knob



Available while supplies last.

ITEM #	DESCRIPTION	STD BOX	WT./ BOX	030, 050
				102, 112 140, 150, 260
4939.xxx.bin*	Oval Knob – 1.625”d. x 1.5”x 1.9”p.	20	9.3	\$35

* Not available in 112

NOTE: Knobs use 8-32 x 1”screws and mount on 3/4”thick doors/cabinets.

PACKED: All bags are coded with product number, description and UPC code. 5/8” diameter at base.

4915 Decorative Oval Knob



Available while supplies last.

ITEM #	DESCRIPTION	WT./ BOX	030, 050
			102, 112 140, 150, 260
4915.xxx.bin	Decorative Oval Knob – 1”x 1.5”x 1.2”projection	3.9	\$18

NOTE: Knobs use 8-32 x 1”screws and mount on 3/4”thick doors/cabinets.

PACKED: All bags are coded with product number, description and UPC code.

4931, 4932 Ornamental Knob

4931
4932



Available while supplies last.

ITEM #	DESCRIPTION	WT./ BOX	030, 050
			102, 112 140, 150, 260
4931.xxx.bin*	Ornamental Knob – 1.5”d. x 1.093”p.	5.4	\$22
4932.xxx.bin**	Ornamental Knob – 2”d. x 1.218”p.	6.7	\$32

* Not available in 260

** Not available in 112 & 140

NOTE: Knobs use 8-32 x 1”screws and mount on 3/4”thick doors/cabinets.

PACKED: All bags are coded with product number, description and UPC code.

4446, 4447 Ring Deco Knob

4446
4447



Available while supplies last.

ITEM #	DESCRIPTION	WT./ BOX	030, 050
			102, 112 140, 150, 260
4446.xxx.bin	Ring Deco Knob – 1.25”d. x 1.0”p.	4.9	\$18
4447.xxx.bin	Ring Deco Knob – 1.5”d. x 1.1”p.	7.5	\$20

NOTE: All knobs use 8-32 x 1” screws and mount on 3/4” thick doors/cabinets.

PACKED: All bags are coded with product number, description and UPC code.

4356, 4357, 4361, 4362, 4366, 4367 Severin Fayerman Collection Pulls

4366, 4367



Available while supplies last.

ITEM #	DESCRIPTION	WT./ BOX	030, 112
			140, 150, 260
4356.xxx.bin	Severin-A Pull – 3” CTC x 1.3” projection	4.6	\$33
4357.xxx.bin	Severin-A Pull – 4” CTC x 1.3” p.	5.4	\$36
4361.xxx.bin	Severin-B Pull – 3” CTC x 1.37” p.	.3	\$33
4362.xxx.bin	Severin-B Pull – 4” CTC x 1.45” p.	4.7	\$36
4366.xxx.bin	Severin-C Pull – 3” CTC x 1.3” p.	4.6	\$33
4367.xxx.bin	Severin-C Pull – 4” CTC x 1.3” p.	5.3	\$36

NOTE: Pulls use 8-32 x 1” screws and mount on 3/4” thick doors/cabinets.

PACKED: All bags are coded with product number, description and UPC code.

4371, 4372, 4376, 4377 Couture Collection Pulls

4371, 4372



4376, 4377



Available while supplies last.

ITEM #	DESCRIPTION	WT./ BOX	030, 050
			112, 150, 260
4371.xxx.bin	Couture-B Pull – 3” CTC x 1.15” p.	3.7	\$33
4372.xxx.bin	Couture-B Pull – 4” CTC x 1.15” p.	4.1	\$36
4376.xxx.bin	Couture-A Pull – 3” CTC x 1.45” p.	2.7	\$33
4377.xxx.bin	Couture-A Pull – 4” CTC x 1.45” p.	3.0	\$36

NOTE: Pulls use 8-32 x 1” screws and mount on 3/4” thick doors/cabinets.

PACKED: All bags are coded with product number, description and UPC code.

4437, 4438 Deco Pull

4437, 4438



Available while supplies last.

ITEM #	DESCRIPTION	WT./ BOX	030, 050, 102, 112
			140, 150, 260
4437.xxx.bin	Deco Pull – 3.5” CTC x 1.2” p.	5.6	\$22
4438.xxx.bin	Deco Pull – 4” CTC x 1.3” p.	5.6	\$24

NOTE: Pulls use 8-32 x 1” screws and mount on 3/4” thick doors/cabinets.

PACKED: All bags are coded with product number, description and UPC code.

4448, 4450, 4496, 4497 Arch Pull

4496, 4497
4448, 4450



Available while supplies last.

ITEM #	DESCRIPTION	WT./ BOX	030, 050, 102, 112 140, 150, 260
4496.xxx.bin	Arch Pull – 3.75"CTC x 1.1"p.	4.6	\$17
4497.xxx.bin	Arch Pull – 5"CTC x 1.2"p.	5.9	\$20
4448.xxx.bin**	Arch Pull – 6"CTC x 1.2"p.	5.3	\$21
4450.xxx.bin**	Arch Pull – 8"CTC x 1.3"p.	7.8	\$26

** Not available in 112 & 140

NOTE: Pulls use 8-32 x 1" screws and mount on 3/4" thick doors/cabinets.

PACKED: All bags are coded with product number, description and UPC code.

4464 Melon Cup Pull



Available while supplies last.

ITEM #	DESCRIPTION	WT./ BOX	030, 050, 102 112, 150, 260
4464.xxx.bin	Melon Cup Pull – 3"CTC x 1.7"p.	3.1	\$26

NOTE: Pulls use 8-32 x 1" screws and mount on 3/4" thick doors/cabinets.

PACKED: All bags are coded with product number, description and UPC code.

4475, 4476 Spindle Pull

4475, 4476



Available while supplies last.

ITEM #	DESCRIPTION	WT./ BOX	030, 050 102, 150, 260
4475.xxx.bin	Spindle Pull – 2.5"CTC	4.1	\$18
4476.xxx.bin	Spindle Pull – 3.75"CTC	5.3	\$21

NOTE: Pulls use 8-32 x 1" screws and mount on 3/4" thick doors/cabinets.

PACKED: All bags are coded with product number, description and UPC code.

4487 – 4489 Dominion Pull

4487, 4488, 4489



Available while supplies last.

ITEM #	DESCRIPTION	WT./ BOX	030, 050, 102, 112 140, 150, 260
4487.xxx.bin	Dominion Pull – 3"CTC	4.7	\$20
4488.xxx.bin	Dominion Pull – 3.5"CTC	5.3	\$21
4489.xxx.bin	Dominion Pull – 4"CTC	6	\$22

NOTE: Pulls use 8-32 x 1" screws and mount on 3/4" thick doors/cabinets.

PACKED: All bags are coded with product number, description and UPC code.

4611, 4612 Edinburgh Pull

4611, 4612



Available while supplies last.

ITEM #	DESCRIPTION	WT./ BOX	030, 112 150, 260
4611.xxx.bin	Edinburgh Pull – 3.5"CTC	6.9	\$26
4612.xxx.bin	Edinburgh Pull – 4"CTC	8	\$28

NOTE: Pulls use 8-32 x 1" screws and mount on 3/4" thick doors/cabinets.

PACKED: All bags are coded with product number, description and UPC code.

4672, 4674, 4676 Wire Pull

4672, 4674, 4676



Available while supplies last.

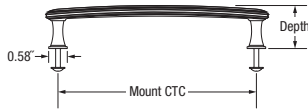
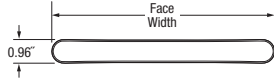
ITEM #	DESCRIPTION	WT./ BOX	030, 050, 102, 112 140, 150, 260
4672.xxx.bin	Wire Pull – 3"CTC	3.4	\$17
4674.xxx.bin	Wire Pull – 3.5"CTC	3.5	\$17
4676.xxx.bin	Wire Pull – 4"CTC	4.3	\$18

NOTE: Pulls use 8-32 x 1" screws and mount on 3/4" thick doors/cabinets.

PACKED: All bags are coded with product number, description and UPC code.

PULLS AVAILABLE WHILE SUPPLIES LAST

4368, 4369, 4370



Available while supplies last.

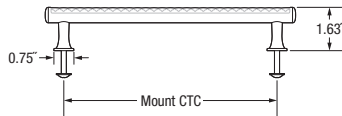
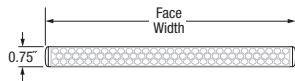
ITEM #	DESCRIPTION	WT./ BOX	030, 112, 140 150, 260
4368.xxx	Severin C Appliance Pull - 8" CTC	4.2	\$119
4369.xxx	Severin C Appliance Pull - 12" CTC	5.9	\$189
4370.xxx	Severin C Appliance Pull - 18" CTC	8.7	\$260

NOTE: Appliance pulls use 10-24 X 1.3" screws and mount on doors between .75" to 1" thick.

PACKED: One pull and screw pack in a box, and coded with product number, description and UPC code.

Dimensions	Mount CTC	Face Depth	Face Width
4368	8"	1.75"	9"
4369	12"	1.75"	13"
4370	18"	1.77"	19"

4373, 4374, 4375



Available while supplies last.

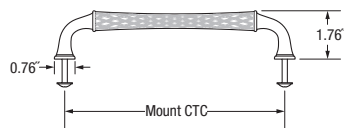
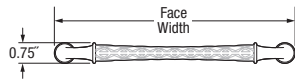
ITEM #	DESCRIPTION	WT./ BOX	030, 050, 112 150, 260
4373.xxx	Appliance Pull - 8" CTC	4.4	\$119
4374.xxx	Appliance Pull - 12" CTC	6.1	\$189
4375.xxx	Appliance Pull - 18" CTC	8.5	\$260

NOTE: Appliance pulls use 10-24 X 1.3" screws and mount on doors between .75" to 1" thick.

PACKED: One pull and screw pack in a box, and coded with product number, description and UPC code.

Dimensions	Mount CTC	Face Width
4373	8"	9.4"
4374	12"	12.8"
4375	18"	19.3"

4378, 4379, 4380



Available while supplies last.

ITEM #	DESCRIPTION	WT./ BOX	030, 050, 112 150, 260
4378.xxx	Appliance Pull - 8" CTC	2.8	\$119
4379.xxx	Appliance Pull - 12" CTC	4.0	\$189
4380.xxx	Appliance Pull - 18" CTC	6.4	\$260

NOTE: Appliance pulls use 10-24 X 1.3" screws and mount on doors between .75" to 1" thick.

PACKED: One pull and screw pack in a box, and coded with product number, description and UPC code.

Dimensions	Mount CTC	Face Width
4378	8"	8.8"
4379	12"	12.8"
4380	18"	18.8"

4900 – 4903 Knob Back

Available while supplies last.



ITEM #	DESCRIPTION	WT./ BOX	030, 050, 102
			112, 140, 150, 260
4900.xxx.bin*	Knob Back Plate – 1.25" d.	1.3	\$12
4901.xxx.bin**	Knob Back Plate – 1.375" d.	2.5	\$13
4903.xxx.bin**	Back Plate for 4708 and 4709 Knobs	4.5	\$12

* Not available in 140

** Not available in 112 & 140

PACKED: In individual polybags. All bags are coded with product number, description and UPC code.

4989 Cabinet Pull Base

Available while supplies last.



ITEM #	DESCRIPTION	WT./ BOX	030, 050, 102, 112
			140, 150, 260
4989.xxx.bin	Cabinet Pull Base – .625" d.	0.5	\$3

NOTE: The 4989 cabinet pull base works in conjunction with the 4672, 4674 & 4676 Cabinet Pull styles.

PACKED: In individual polybags. All bags are coded with product number, description and UPC code.

4613 Round Edinburgh

Available while supplies last.



ITEM #	DESCRIPTION	WT./ BOX	030, 112
			150, 260
4613.xxx.bin	Round Edinburgh Back Plate – 1.5"	1.5	\$12

PACKED: In individual polybags. All bags are coded with product number, description and UPC code.

MISCELLANEOUS PARTS

Passage & Privacy Latches



PASSAGE LATCHES				003, 031, 033, 044 050, 055, 056, 060, 076* 102, 112, 190, 260
ITEM #	DESCRIPTION	BACKSET	FACEPLATE	
5510.xxx (FLS)	Knob-Strength Passage latch	2.375"	1" w	
5513.xxx (FLS)	Lever-Strength Passage latch	2.375"	1" w	
5520.xxx (FLS)	Knob-Strength Passage latch	2.75"	1" w	\$82
5523.xxx (FLS)	Lever-Strength Passage latch	2.75"	1" w	

PRIVACY LATCHES				003, 031, 033, 044 050, 055, 056, 060, 076* 102, 112, 190, 260
ITEM #	DESCRIPTION	BACKSET	FACEPLATE	
5510.xxx.P (FLS)	Knob-Strength Privacy latch	2.375"	1" w	
5513.xxx.P (FLS)	Lever-Strength Privacy latch	2.375"	1" w	
5520.xxx.P (FLS)	Knob-Strength Privacy latch	2.75"	1" w	\$82
5523.xxx.P (FLS)	Lever-Strength Privacy latch	2.75"	1" w	

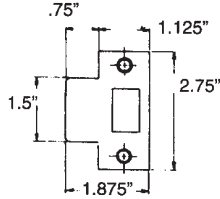
**LATCHES NOT AVAILABLE IN DISTRESSED FINISHES,
NON-DISTRESSED EQUIVALENTS 402=102, 452=152**

*Latches with 1.125" wide faceplate commonly used for commercial applications
Latches available with Standard strike (no suffix) or Full Lip Strike (.FLS)

Example: 5510.xxx = Standard strike
5510.xxx.FLS = Full Lip Strike

5510.TSTR – Standard Box Strike (T Strike)

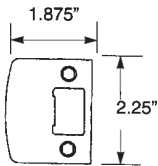
Included with all Passage & Privacy Latches



		003, 031, 033, 044 055, 056, 050, 060, 076* 102, 112, 152, 190, 260
Item #	Description	
5510.xxx.TSTR	Standard Box Strike (Included with all Passage & Privacy Latches)	\$22

LIP TO CENTER DIMENSION (LTC): 1.312" (33mm)
DUST BOX: furnished unattached (5510.000.TSTR)
TEMPLATE: metal frames to be prepared in accordance with ANSI standard A115.2

5300.EFLS – Extended full lip strike (ONLY SIZE AVAILABLE)



		003, 031, 033, 044, 050 055, 056, 060, 076*, 102, 112 151, 152, 190, 260, 402
Item #	Description	
5300.xxx.EFLS	Extended Full Lip Strike	\$22

For 2" (51mm) and 2.25" (57mm) thick doors or when trim condition necessitates a larger strike. Can also be used with Estate handlesets and interior sets
LTC: 1.375" (35mm)

*076 finish available February 2023.

**5399 – Thick Door Kits
for New Mechanics**

Item #	Adjustable Backset	Std. Box	Wt.	003, 031, 044 050, 055, 056 076*, 102, 112 190, 260
5399.xxx.A	For all Sectional and Escutcheon Single Cylinder Entrance function handlesets and all Evolved products to fit 2" & 2 1/4" thick door	1	0.3	\$66
5399.xxx.B	For all Sectional and Escutcheon Double Cylinder Entrance handlesets to fit 2" & 2 1/4" thick doors	1	0.4	\$66
5399.xxx.C	For all Emergency Egress function handlesets to fit 2" & 2 1/4" thick doors	1	0.3	\$66
5399.xxx.D	For all Full Dummy handle functions – Sectional, Escutcheon and Emergency Egress to fit 2" & 2 1/4" thick doors	1	0.1	\$22

FEATRUES: Each conversion kit includes tailpieces (if necessary), thru-bolts, strike plate, and instructions for modifying sets for use on doors either 2" (51mm) or 2 1/4" (57mm) in thickness. (Must specify finish)

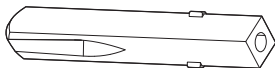
WEIGHT: 2.1 lbs. (.09kg)

**5399 – Repair Door Kits
for New Mechanics**

Item #	Adjustable Backset	Std. Box	Wt.	003, 050 056, 076*, 102 112, 190, 260
5399.xxx.G	For active Sectional and Escutcheon handlesets with Interior Knobs including Single Cylinder (ENTR) and Double Cylinder (DBLC) sets	1	1.1	\$66
5399.xxx.H	For active Sectional and Escutcheon handlesets with Interior Levers including Single Cylinder (LHRH) and Double Cylinder (LRDB) sets	1	1.3	\$66
5399.xxx.K	For Full Dummy (FD or LRFD) Sectional, Escutcheon, and Emergency Egress handlesets with a Traditional oval thumbpiece including Interior Knobs or Levers	1	0.7	\$51
5399.xxx.M	For active Emergency Egress handlesets (ENTR) with an oval egress cartridge, a Traditional oval thumbpiece, and an Interior Knob	1	2.0	\$66
5399.xxx.N	For active Emergency Egress handlesets (LENT or RENT) with a rectangular egress cartridge, a Traditional oval thumbpiece, and an Interior Lever	1	2.0	\$66

NOTE: All parts must be installed for proper lock function.

0530 – 0533 Broached Half Spindles – Front Door
(Thumbpiece to Knob or Lever)



ITEM #	DESCRIPTION	SIZE	
0531.004	Broached half	2.875"	
0533.004	Broached half	2.25"	\$17
0539.004	Broached half	2.625"	

For mounting all current Estate knobs and levers to thumbpiece of handlesets. Included with all 'set' orderside.

BALDWIN®

19701 DA VINCI, LAKE FOREST, CALIFORNIA 92610

800.437.7448 · BALDWINHARDWARE.COM